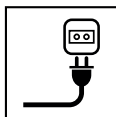
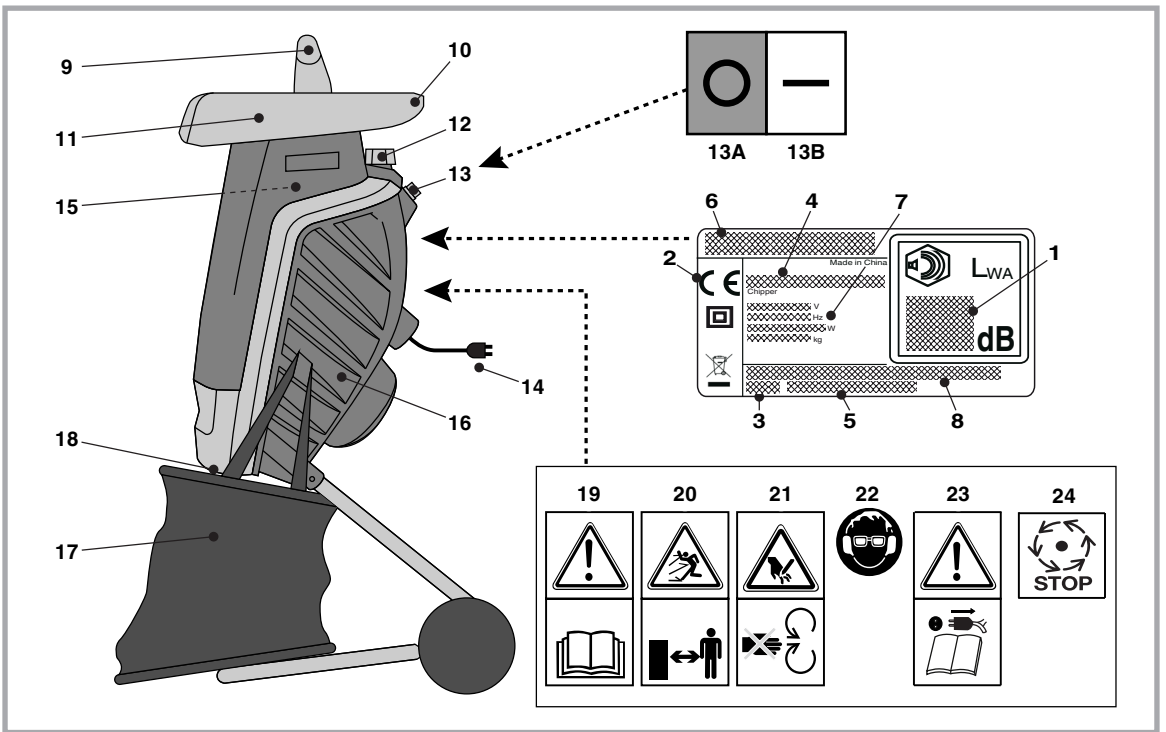


STIGA®

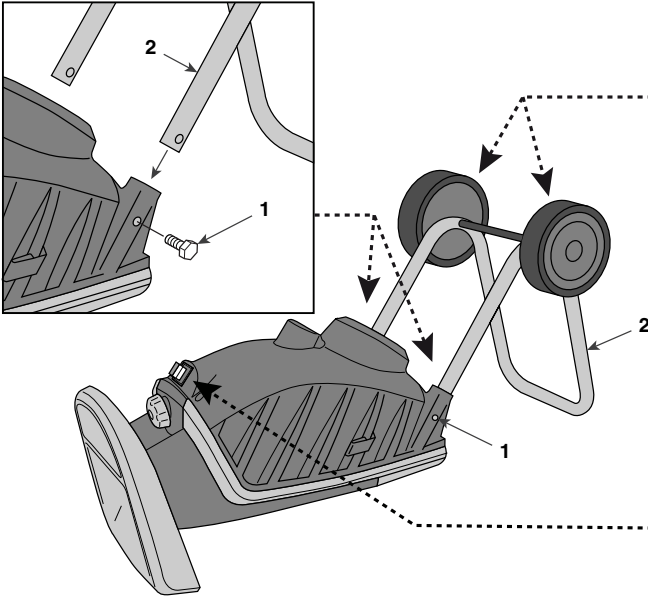
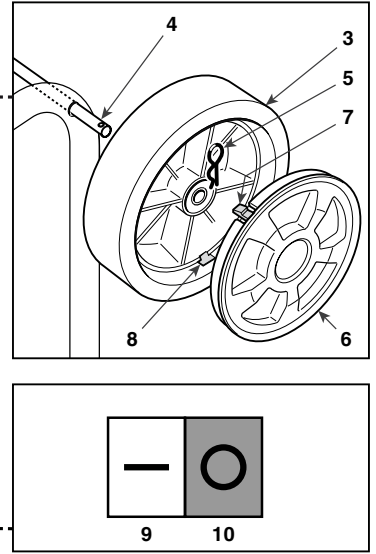
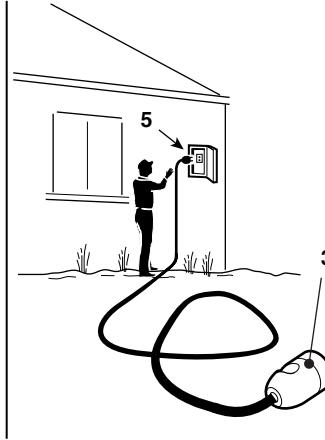
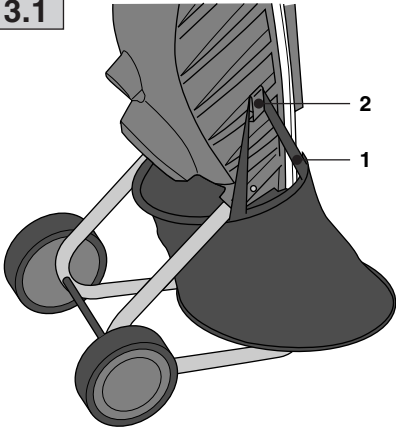
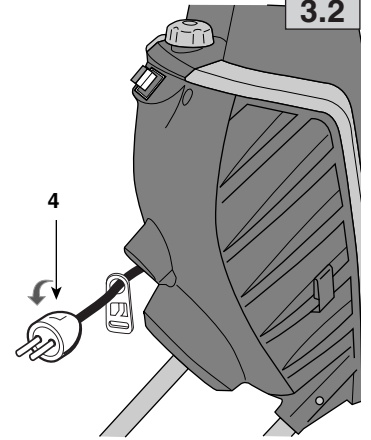
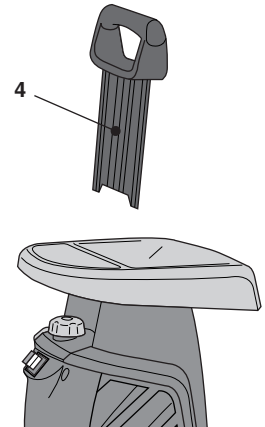
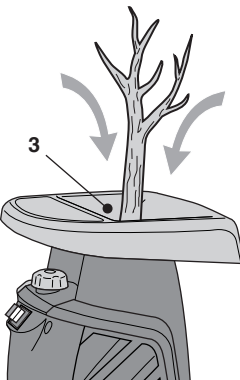
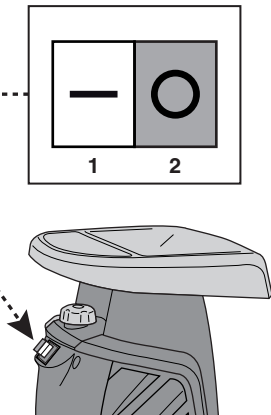


- IT** Sminuzzatrice elettrica da giardino - MANUALE DI ISTRUZIONI
ATTENZIONE: prima di usare la macchina, leggere attentamente il presente libretto.
- BG** Електрическа градинска дробилна - УПЪТВАНЕ ЗА УПОТРЕБА
ВНИМАНИЕ: преди да използвате машината прочетете внимателно настоящата книжка.
- BS** Baštenska električna drobilica - UPUTSTVO ZA UPOTREBU
PAŽNJA: prije nego što koristite ovu mašinu, pažljivo pročitajte priručnik s uputama.
- CS** Elektrický zahradní štěpkovač - NÁVOD K POUŽITÍ
UPOZORNĚNÍ: před použitím stroje si pozorně přečtete tento návod k použití.
- DA** Elektrisk fliskværn - BRUGSANVISNING
ADVARSEL: læs instruktionsbogen omhyggeligt igennem, før du tager denne maskine i brug.
- DE** Elektrischer Gartenhäcksler - GEBRAUCHSANWEISUNG
ACHTUNG: vor inbetriebnahme des geräts die gebrauchsanleitung aufmerksam lesen.
- EL** Ηλεκτρικός θρυμματιστής κήπου - ΟΔΗΓΙΕΣ ΧΡΗΣΗΣ
ΠΡΟΣΟΧΗ: πριν χρησιμοποιήσετε το μηχάνημα, διαβάστε προσεκτικά το παρόν εγχειρίδιο.
- EN** Electric mains-operated garden chipper - OPERATOR'S MANUAL
WARNING: read thoroughly the instruction booklet before using the machine.
- ES** Desmenuzadora eléctrica para jardín - MANUAL DE INSTRUCCIONES
ATENCIÓN: antes de utilizar la máquina, leer atentamente el presente manual.
- ET** Elektriline aiahakkur - KASUTUSJUHEND
TÄHELEPANU: enne masina kasutamist lugeda tähelepanelikult antud kasutusjuhendit.
- FI** Sähkökäyttöinen oksasilppuri - KÄYTTÖOHJEET
VAROITUS: lue käyttöopas huolellisesti ennen koneen käyttöä.
- FR** Déchiqueteur électrique alimenté par le secteur - MANUEL D'UTILISATION
ATTENTION: lire attentivement le manuel avant d'utiliser cette machine.
- HR** Električni usitnjivač grana - PRIRUČNIK ZA UPORABO
POZOR: prije uporabe stroja, pažljivo pročitajte ovaj priručnik.
- HU** Elektromos kerti aprítógép - HASZNÁLATI UTASÍTÁS
FIGYELEM! a gép használatá előtt olvassa el figyelmesen a jelen kézikönyvet.
- LT** Elektrinis šakų smulkintuvas - NAUDOJIMO INSTRUKCIJOS
DĖMESIO: prieš naudojant įrenginį, atidžiai perskaityti šį naudotojo vadovą.
- LV** No elektrotīkla darbināms dārza smalcinātājs - LIETOŠANAS INSTRUKCIJA
UZMANĪBU: pirms aparāta lietošanai rūpīgi izlasiet doto instrukciju.
- MK** Електрична сечкалка за градина - УПАТСТВА ЗА УПОТРЕБА
ВНИМАНИЕ: прочитайте го внимателно ова упатство пред да ја користите машината.
- NL** Eletrische tuinhakselaar - GEBRUIKERSHANDLEIDING
LET OP: vooraleer de machine te gebruiken, dient men deze handleiding aandachtig te lezen.
- NO** Elektrisk drevet kutter - INSTRUKSJONSBOK
ADVARSEL: les denne bruksanvisningen nøye før du bruker maskinen.
- PL** Rozdrabniarka ogrodowa elektryczna - INSTRUKCJE OBSŁUGI
OSTRZEŻENIE: przed użyciem maszyny, należy uważnie przeczytać niniejszą instrukcję.
- PT** Estilhaçador elétrico de jardim - MANUAL DE INSTRUÇÕES
ATENÇÃO: antes de usar a máquina, leia atentamente o presente manual.
- RO** Tocător electric de grădină - MANUAL DE INSTRUCȚIUNI
ATENȚIE: înainte de a utiliza mașina, citiți cu atenție manualul de față.
- RU** Электрический садовый измельчитель
РУКОВОДСТВО ПО ЭКСПЛУАТАЦИИ
ВНИМАНИЕ: прежде чем пользоваться оборудованием, внимательно прочтите это руководство по эксплуатации.
- SK** Elektrický záhradný štěpkovač - NÁVOD NA POUŽITIE
UPOZORNENIE: pred použitím stroja si pozorne prečítajte tento návod.
- SL** Električni vrtni sekljalnik - PRIROČNIK ZA UPORABO
POZOR: preden uporabite stroj, pazljivo preberite priročnik z navodili.
- SR** Baštenska električna drobilica - PRIRUČNIK SA UPUTSTVIMA
PAŽNJA: pre korišćenja mašine pažljivo pročitati ovaj priručnik.
- SV** Eldriven flishugg för trädgårdsbruk - BRUKSANVISNING
WARNING: läs igenom hela detta häfte innan du använder maskinen.
- TR** Elektrikli bahçe ufalayıcı - KULLANIM KILAVUZU
DİKKAT: makineyi kullanmadan önce talimatlar iceren kilavuzu dikkatle okurun.

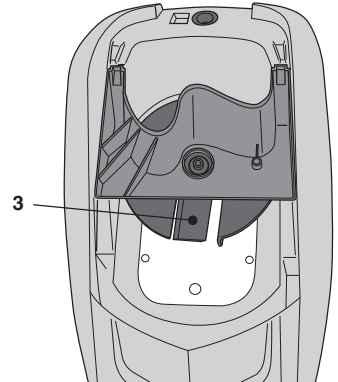
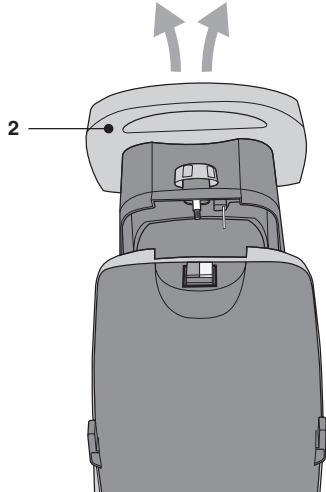
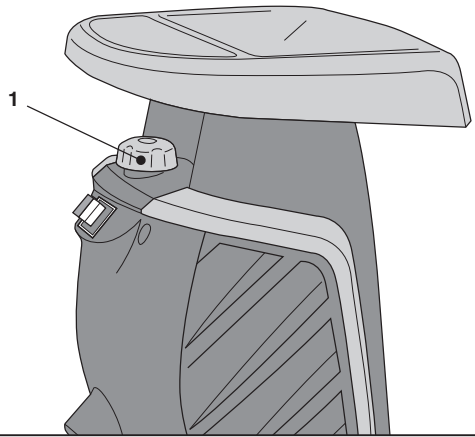
ITALIANO - Istruzioni Originali	IT
БЪЛГАРСКИ - Превод на оригиналните инструкции	BG
BOSANSKI - Prijevod originalnih uputa	BS
ČESKY - Překlad původního návodu k používání	CS
DANSK - Oversættelse af den originale brugsanvisning	DA
DEUTSCH - Originalbetriebsanleitung	DE
ΕΛΛΗΝΙΚΑ - Μετάφραση του πρωτοτύπου των οδηγιών χρήσης	EL
ENGLISH - Translation of the original instruction	EN
ESPAÑOL - Traducción del Manual Original	ES
EESTI - Algupärased kasutusjuhendi tõlge	ET
SUOMI - Alkuperäisten ohjeiden käännös	FI
FRANÇAIS - Traduction de la notice originale	FR
HRVATSKI - Prijevod originalnih uputa	HR
MAGYAR - Eredeti használati utasítás fordítása	HU
LIETUVIŠKAI - Originalių instrukcijų vertimas	LT
LATVIEŠU - Instrukciju tulkojums no oriģinālvalodas	LV
МАКЕДОНСКИ - Превод на оригиналните упатства	MK
NEDERLANDS - Vertaling van de oorspronkelijke gebruiksaanwijzing	NL
NORSK - Oversettelse av original bruksanvisning	NO
POLSKI - Tłumaczenie instrukcji oryginalnej	PL
PORTUGUÊS - Tradução do manual original	PT
ROMÂNĂ - Traducerea manualului fabricantului	RO
РУССКИЙ - Перевод оригинальных инструкций	RU
SLOVENSKY - Preklad pôvodného návodu na použitie	SK
SLOVENŠČINA - Prevod izvirnih navodil	SL
SRPSKI - Prevod originalnih uputstva	SR
SVENSKA - Översättning av bruksanvisning i original	SV
TÜRKÇE - Orijinal Talimatların Tercümesi	TR



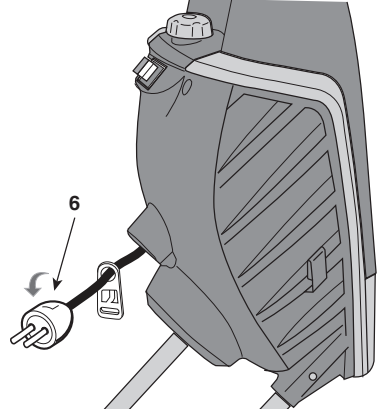
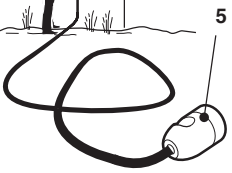
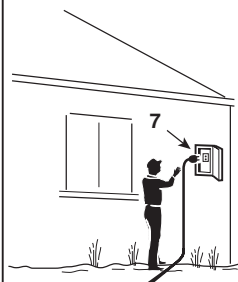
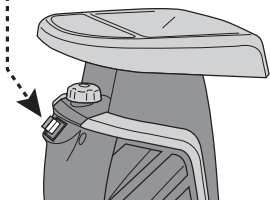
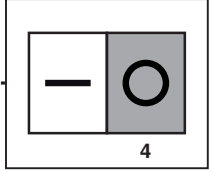
		BIO MASTER 2200
[61]	V / Hz	230-240 / 50
[62]	W	2200
[63]	W	2000
[64]	n/1 ¹	3650
[65]		1
[66]	mm	40
[67]	lt	50
[68]	mm	443
[69]	mm	945
[70]	kg	10.4
[71]	dB(A)	102
[72]	dB(A)	99,2
[73]	dB(A)	3
[74]	dB(A)	85,5
[75]	dB(A)	3

1.1**1.2****2.1****3.1****3.2****3.3**

3.5



3.6





SAFETY REGULATIONS to be observed scrupulously

A) TRAINING

- 1) Read the instructions carefully. Familiarise yourself with the controls and proper use of the machine. Learn how to stop the motor quickly.
- 2) Bear in mind that the operator or user is responsible for accidents or unexpected events which may occur to other people or their property during use of the machine.

B) PRELIMINARY OPERATIONS

- 1) Use ear protectors, dust masks, gloves and safety goggles for the entire time the machine is being used.
- 2) Avoid wearing clothing that is loose fitting or has hanging cords or ties.
- 3) Only use the machine outdoors (e.g.. not close to a wall or other fixed objects) and on a firm and flat surface.
- 4) Do not use the machine on a paved gravel surface where ejected material could cause injuries.
- 5) Never allow children or people unfamiliar with the instructions to use the machine.
- 6) Do not use the machine with people in the vicinities.
- 7) Before starting the machine, make sure that all screws, nuts, bolts and other fastening elements are properly tightened and that guards and shields are in place. Replace damaged or illegible labels.
- 8) Keep all guards and deflectors in place and in good working position.

- Also:

- Before each use, check that the extension lead is not damaged or that there are no signs of deterioration or ageing. If the extension lead becomes damaged during use, disconnect it from the mains socket immediately. **DO NOT TOUCH THE LEAD BEFORE DISCONNECTING IT FROM THE MAINS SOCKET.** Do not use the machine if the extension lead is damaged or worn.

C) DURING USE

- 1) Before starting the machine, make sure the feeding hopper is empty.
- 2) Keep your head and body away from the feeding chute.
- 3) Do not place your hands or other body parts or clothing in the feeding or discharge chutes, or near moving parts.
- 4) For the entire time of use, always maintain proper balance and footing. Do not lean over it. When feeding material, never stand on a level that is higher than the base of the machine.
- 5) While operating the machine, always stand clear of the discharge area.
- 6) When feeding material, be extremely careful that metal objects, stones, bottles, cans or other foreign objects are not introduced.
- 7) If the cutting device strikes a foreign object or the machine makes unusual noises or vibrations, switch off the motor immediately and allow the machine to stop completely. Remove the plug from the mains supply and carry out the following operations:
 - make sure the machine is not damaged.
 - check and tighten the grip for fastening the feeding hopper.
 If the problem persists, contact your service centre.
- 8) Do not allow processed material to accumulate in the discharge area. This may impede proper discharging and cause the material to back up through the feeding chute.
- 9) If the machine becomes clogged, switch off the motor and remove the power plug from the mains before clearing debris from the feeding chute and the discharge chute. Keep the motor clear of debris and other accumulations to prevent damage to the motor or fire hazards. Remember that when motorised machines are started, the cutting device is also activated.
- 10) Do not move the machine while the motor is running.
- 11) Turn off the motor and remove the plug from the mains when you leave the work area.
- 12) Do not tilt the machine while the motor is running.

• Also:

- Do not use the machine if the switch is defective or does not turn the machine on and off regularly.
- Do not touch the extension lead and plug with wet hands.
- Do not step on or tug the extension lead.
- Stop the machine and remove the plug from the socket:
 - whenever you leave the machine unattended;
 - before clearing blockages or unclogging the discharge chute;

WARNING - If something breaks or an accident occurs during work, turn off the motor immediately; if an accident occurs with injuries or third parties are injured, carry out the first aid measures most suitable for the situation immediately and contact the medical authorities for any necessary health care. Carefully remove any debris that might cause damage or harm persons or animals should it not be seen.

D) MAINTENANCE AND STORAGE

- 1) When the machine is turned off for maintenance, inspection, storage or for the replacement of an accessory, make sure that the plug is disconnected from the mains power socket. Make sure that all moving parts have come to a complete stop. Allow the machine to cool before doing any maintenance, adjustments, etc.
- 2) Allow the machine to cool before storing it.
- 3) Except for normal cleaning, all other maintenance work must only be carried out at a specialized service centre.

E) ADDITIONAL WARNINGS

- 1) The permanent connection of any electrical equipment to the mains of a building must be installed by a qualified electrician in conformity with the regulations in force. Incorrect wiring can cause serious injury and even death.
- 2) **WARNING: DANGER!** Moisture and electricity are not compatible:
 - always handle and connect electric cables in dry conditions;
 - never allow electric sockets or leads

- to contact wet areas (puddles or wet grass);
- connections between leads and sockets must always be watertight. Only use extension leads with intact, watertight and approved sockets sold on the market.

3) The quality of the extension leads must be no less than H07RN-F, with a minimum section of 1.5 mm² and a recommended maximum length of 25 m.

4) Power up the machine using a differential switch (RCD - Residual Current Device) with a tripping current of max. 30 mA.

5) The mains power socket for the electrical power supply must have the characteristics of voltage, frequency and power draw capacity which correspond to those indicated on the label of the machine.

F) TRANSPORTATION AND HANDLING

- 1) Whenever the machine is to be handled, lifted, transported or tilted you must:
 - wear sturdy work gloves;
 - grasp the machine at the points that offer a safe grip, taking account of the weight and its distribution;
 - use an appropriate number of people for the weight of the machine and the characteristics of the vehicle or the place where it must be placed or collected.
- 2) During transport, fasten the machine securely with cables or chains

GETTING TO KNOW THE MACHINE

NOTE The images corresponding to the references are found on page 2 of this manual.

Machine description and usage

This machine is a garden tool, and precisely an electric garden chipper.

The machine consists of a motor, which drives a blade enclosed within the machine body and which chips branches.

Intended use

The machine is designed and intended for the chipping of branches, small shrubs and wet leaves. Any other usage may be hazardous and may cause harm to persons and/or things or to the machine itself.

Note: using the machine for chipping mainly dry branches will reduce the efficacy of the cut as well as blade life.

Improper use

Examples of improper use (may include, but are not limited to):

- using the machine for chipping non plant material;
- climbing on the machine;
- using the machine to move objects.

This appliance can be used by children aged from 8 years and above and persons with reduced physical, sensory or mental capabilities or lack of experience and knowledge if they have been given supervision or instructions concerning use of the appliance in a safe way and understand the hazards involved. Children shall not play with the appliance. Cleaning and user maintenance shall not be made by children without supervision.

RISK REMAINING

Even when using the machine correctly, situations with residual risks may arise. Possible hazardous situations may be caused by (including but not limited to):

- ejected stones or other materials accidentally fed with branches;
- breakage and uncontrolled movements of branches during feeding, with injuries to limbs or eyes;

IDENTIFICATION LABEL


1. Acoustic power level according to directive 2000/14/EC
2. Conformity marking in accordance with Directive 2006/42/EC
3. Year of manufacture
4. Type of machine
5. Serial number
6. Name and address of manufacturer
7. Technical Data
8. Article code

MACHINE COMPONENTS

9. Plunger, which helps to push short pieces of branches into the feeding hopper;
10. Handgrip for movement;
11. Feeding hopper, removable;
12. Grip for fastening the feeding hopper;
13. Run/stop controls;
 - 15A. Stop (red);
 - 15B. Run (green);
14. Power socket for the mains power supply;
15. Chipper blade;
16. Machine body with wheels for movement;
17. Collection box;
18. Discharge chute.

Immediately after purchasing the machine, write the identification numbers (3-4-5) in the spaces on the last page of the manual.

An example of the conformity declaration may be found on the penultimate page of this manual.

 Do not dispose of electrical equipment with household waste material. In observance of European Directive 2012/19/EC on waste electrical and electronic equipment and its implementation in accordance with national regulations, electric equipment that has reached the end of its product life must be collected separately and recycled in an ecologically compatible way. If electrical equipment is disposed of in dumps or in landfills, hazardous substances can leak into the groundwater and get into the food chain, damaging your health and well-being. For further information on the disposal of this product, contact a domestic waste collection authority or your dealer.



Class II: Double insulation

SAFETY REQUIREMENTS

Your machine must be used carefully. Symbols have therefore been placed on various parts of the machine to remind you of the main precautions to be taken. Their meaning is explained below. You are also asked to carefully read the safety regulations in the specific chapter of this manual. Replace damaged or illegible labels.

19. **Warning:** Read the instruction manual before using the machine.
20. **Warning:** Prevent unauthorized persons from operating the machine.
21. **Warning:** Rotating blade. Do not insert your hands into the feeding chute or the discharge chute when the motor is running.
22. **Warning:** Use ear protectors, safety goggles and dust masks.
23. **Warning:** Disconnect the plug from the mains before commencing maintenance work or if the power lead is damaged.
24. **Warning:** The cutting means will continue to rotate for a while after you have switched off the lawnmower.

Technical data

- [61] Power supply voltage and frequency
- [62] Rated power (P40) *
- [63] Rated power
- [64] Idle speed
- [65] Blades, quantity

- [66] Maximum cutting speed
- [67] Bag, capacity
- [68] Height
- [69] Width
- [70] Weight
- [71] Guaranteed sound power level
- [72] Measured sound power level
- [73] Uncertainty
- [74] Acoustic pressure level
- [75] Uncertainty

* Working profile of 4-minute load and 6-minute idle time.
Continuous operation is allowed in practical applications.

OPERATING INSTRUCTIONS

NOTE The number which precedes each paragraph links the references in the text to the respective illustrations (listed on page 2 and the following pages)..

1. COMPLETING ASSEMBLY

NOTE - The machine can be supplied with some pre-assembled parts.

WARNING - Unpacking and completing the assembly should be done on a flat and stable surface, with enough space for handling the machine and its packaging, always using suitable equipment.
Disposal of the packaging should be done in accordance with the local regulations in force.

1.1. ASSEMBLY OF THE MACHINE'S BASE

Lay the machine on the ground, loosen the pre-installed screws (1) on both sides of the machine's body, slide the machine's base (2) as shown in the figure, refit the screws (1) and tighten them.

1.2. WHEEL ASSEMBLY

Assemble the wheels (3), using the pin (4), and split pins (5) in the indicated sequence. Apply the wheel covers (6) inserting the tabs (7) in their slots (8).

Once the assembly is completed, place the machine in a vertical position on the ground so that it lays on the wheels and the base.

2. CONTROL DESCRIPTION

2.1. MOTOR CONTROL

The motor is controlled by two buttons::

- Green button (9-I) = Run
- Red button (10-O) = Stop

The tool will switch off in the event of a power shortage.
Press the green button (9) again to restart the motor.

3. USING THE MACHINE

IMPORTANT:

- Use the machine on firm level ground, keeping feet at the same level as the wheels.
- When starting the machine there can be momentary drops in voltage. To avoid any disturbances to other equipment connected to the mains power supply, ensure

- that it is able to support the load of the machine and of any other equipment connected to the same network.
- If the motor stops because it is overheated while working, you must wait about 5 minutes before restarting it.

3.1. MACHINE SET-UP

Place the bag under the machine with the opening facing upward, and attach the bag's handles (1) to the two hooks (2).

3.2. MACHINE CONNECTIONS

Insert the extension lead socket (3) in the machine plug (4) as indicated, then insert the extension lead plug in the mains socket (5).

3.3. MOTOR START-UP AND OPERATING MODES

Press the green button (1-I) to start the motor.
Introduce the material to be chipped through the feeding chute (2) of the hopper (3).
If necessary, use the provided plunger (4) to help push material through .

Useful advice for chipping

- Do not chip wet material.
- Strip branches with too many ramifications and remove the side shoots.
- Do not shred branches with a diameter exceeding 4 cm; it may be necessary to reduce the maximum diameter of branches to be shredded according to the wood type and freshness.
- Always feed small quantities of material in order to not clog the feeding hopper.
- The discharge chute must always be free of any material.
- Chip garden waste only in small quantities, alternate it with branches to prevent clogging.
- Do not chip kitchen waste or other material with a non-solid consistency.

Important recommendations

- Do not chip excessively long branches to prevent injuries from branches that may lash out uncontrollably.

3.4. EMPTYING THE BAG

The chipped material in the collection box must not reach the discharge chute.

If this occurs, the material which has already been chipped will clog the discharge chute, with its return through the feeding chute.

Before removing and emptying the collection box, stop the engine and disconnect the mains power supply.

3.5. CLOGGING OF MATERIAL

In case the material to be chipped jams:

1. Stop the motor and disconnect the mains power supply;
2. Wear safety gloves;
3. Unscrew the grip (1) fastening the feeding hopper;
4. Pull out the feeding hopper (2), then pull it up;
5. Clean the feeding hopper, the (3) chipping blade area and adjacent areas;
6. Replace the feeding hopper and fasten it by tightening the grip (1).

3.6. END OF WORK

When you have finished work, stop the motor by pressing the red button .

Disconnect the extension lead (5) BEFORE the general mains socket (7) THEN from the machine plug (6).
Remove and empty the bag.

4. STORAGE AND MAINTENANCE

IMPORTANT Routine and accurate maintenance is essential in maintaining original machine safety and performance levels.

Store the machine in a dry place.

Disconnect the machine from the mains power supply before starting any cleaning, inspection or maintenance activities.

IMPORTANT Only the work described in this manual may be performed by the user, all other work must be performed by an authorized service centre.

- 1) Wear sturdy work gloves before cleaning, maintaining or adjusting the machine.
- 2) After each use, remove the collection box and clean the remaining debris in the discharge chute.
- 3) Always make sure the air vents are free of debris.
- 4) Do not spray water onto and avoid wetting the motor and electrical components. Do not use harsh liquids to clean plastic parts.
- 5) Do not ever try to perform complicated repair work; work that is not described in this manual must be performed by an authorized service centre. Any work, except that which is described in this manual, which is not performed by an authorized service centre will void the Warranty and will exclude the manufacturer from liability.

5. ENVIRONMENTAL PROTECTION

Environmental protection should be a priority of considerable importance when using the machine, for the benefit of both society and the environment in which we live.

- Avoid causing any disturbance to the surrounding area.
- Scrupulously comply with local regulations for the disposal of waste materials after working.
- Scrupulously comply with local regulations for the disposal of packaging, deteriorated parts or any elements with a strong environmental impact; this waste must not be disposed of as normal waste, but must be separated and taken to specified waste disposal centres where the material will be recycled.
- When decommissioning, do not abandon the machine in the environment, but hand it over to a disposal centre, in accordance with the local regulations in force.



6. DIAGNOSTICS

What to do when ...	
Source of problem	Corrective action
1. The machine does not work	
Electric current does not reach the machine	Check the electrical connection
2. Machine start up initiates the automatic general power supply switch	
The capacity (in amps) of the line that feeds the mains power socket is insufficient	Connect the machine to a mains power socket with enough amperage to power the line
Other electrical appliances are working	Do not connect other equipment to the same power line at the same time
3. The machine stops during work	
The protection device triggers	Wait at least 5 minutes before restarting the motor
4. The machine stops frequently during work or it does not operate in a regular manner	
Demanding working conditions	Chip softer material
Clog in the feeding hopper	- Empty the bag - Remove the feeding hopper (see paragraph 3.5)
The cutting blade is dull	Take the machine to the authorized service centre for replacement of the blade
The grass-catcher is clogged	Empty the grass-catcher regularly before it fills completely
5. Poor and unsatisfactory performance levels	
The cutting blade is dull	Take the machine to the authorized service centre for replacement of the blade

For any doubts or problems, please do not hesitate to contact your nearest Customer Service Centre or Your Dealer.

- IT** • Il contenuto e le immagini del presente manuale d'uso sono stati realizzati per conto di STIGA SpA e sono tutelati da diritto d'autore – E' vietata ogni riproduzione o alterazione anche parziale non autorizzata del documento.
- BG** • Съдържанието и изображенията в настоящото ръководство са извършени за STIGA SpA и са защитени с авторски права – Забранява се всяко неотуризирано възпроизвеждане или промяна, дори и отчасти на документа.
- BS** • Sadržaj i slike iz ovog korisničkog priručnika napravljeni su isključivo za STIGA SpA i zaštićeni su autorskim pravima – zabranjena je svaka neovlaštena reprodukcija ili izmjena dokumenta, djelomično ili u potpunosti.
- CS** • Obsah a obrázky v tomto návodu k použití byly zpracovány jménem společnosti STIGA SpA a jsou chráněny autorským právem – Reprodukce či nepovolené pozměňování tohoto dokumentu, a to i částečně, je zakázáno.
- DA** • Indhold og illustrationer i denne vejledning er blevet skabt på vegne af STIGA SpA og er beskyttet af ophavsret – Enhver gengivelse eller ændring, også delvis, af dokumentet uden autorisation hertil er forbudt.
- DE** • Inhalt und Bilder dieser Bedienungsanleitung wurden im Namen von STIGA SpA erstellt und sind urheberrechtlich geschützt – Jede nicht genehmigte Vervielfältigung oder Veränderung, auch auszugsweise, dieses Dokumentes ist verboten.
- EL** • Το περιεχόμενο και οι εικόνες στο παρόν εγχειρίδιο χρήσης δημιουργήθηκαν για λογαριασμό της εταιρείας STIGA SpA και προστατεύονται από πνευματικά δικαιώματα – Απαγορεύεται οποιαδήποτε αναπαραγωγή ή τροποποίηση, έστω και μερική, του εγγύρφου χωρίς έγκριση.
- EN** • The content and images in this User Manual were produced expressly for STIGA SpA and are protected by copyright – any unauthorised reproduction or modification to the document, either partially or in full, is prohibited.
- ES** • El contenido y las imágenes del presente manual de uso han sido creados por STIGA SpA y están protegidos por los derechos de autor – Se prohíbe toda reproducción o modificación, incluso parcial, no autorizada del documento.
- ET** • Käesoleva kasutusjuhendi sisu ja kujutised on toodetud konkreetselt ettevõttele STIGA SpA ja neile rakendud autorikaitseasend – dokumendi igasugune osaline või täielik ilma loata reprodutseerimine või muutmine on keelatud.
- FI** • Tämän käyttöoppaan sisältö ja kuvat on valmistettu STIGA SpA -yhtiön toimesta ja niitä suojaa tekijänoikeuslaki. – Asiakirjan kaikenlainen kopioiminen tai muuttaminen, osittainkin, on kielletty ilman erityistä lupaa.
- FR** • Le contenu et les images du présent manuel d'utilisation ont été réalisés pour le compte de STIGA SpA et sont protégés par un droit d'auteur - Toute reproduction ou modification non autorisée, même partielle, du document, est interdite.
- HR** • Sadržaj i slike u ovom priručniku za uporabu izrađeni su za tvrtku STIGA SpA te su obuhvaćeni autorskim pravima – Zabranjuje se neovlašteno umnožavanje ili prilagodba, djelomična ili u cijelosti, ovog dokumenta.
- HU** • Ennek a használati útmutatónak a tartalma és a benne szereplő képek kizárólag a STIGA SpA számára készültek és szerzői joggal védettek – tilos a dokumentum bármely részének vagy egészének engedély nélkülű sokszorosítása és módosítása.
- LT** • Šio naudotojo vadovo turinys ir paveikslėliai skirti tik „STIGA SpA“ ir yra saugomi autorių teisėmis – dokumentą atgaminti ar modifikuoti, visiškai arba iš dalies, yra draudžiama.
- LV** • Šīs lietotāja rokasgrāmatas saturs un attēli ir veidoti tikai STIGA SpA un ir aizsargāti ar autoritētiesībām. Jebkāda dokumenta vai tā daļas prettiesiska kopēšana vai pārveide ir stingri aizliegta.
- MK** • Содржината и сликите во Упатството за корисникот се подготвени исклучиво за STIGA SpA и се заштитени со авторски права – забрането е секое делумно или целосно неовластено репродуцирање или измена на документот.
- NL** • De inhoud en de afbeeldingen van deze gebruikshandleiding werden gerealiseerd voor rekening van STIGA SpA en zijn beschermd door het auteursrecht – Elke niet-geautoriseerde reproductie of wijziging, ook gedeeltelijke, van het document is verboden.
- NO** • Innholdet og bildene i denne brukerveiledningen er utført på oppdrag fra STIGA SpA og er beskyttet ved opphavsrett – Enhver gjengivelse eller endring, selv kun delvis, er forbudt.
- PL** • Treść oraz ilustracje zawarte w niniejszej instrukcji obsługi powstały na zlecenie spółki STIGA SpA i są chronione prawami autorskimi – Zabrania się wszelkiego kopiowania bądź modyfikowania, także częściowego, niniejszego dokumentu bez uzyskania stosownej zgody.
- PT** • As imagens e os conteúdos contidos no presente Manual do Utilizador foram expressamente criados para uso exclusivo da STIGA SpA, encontrando-se protegidos por direitos de autor. Qualquer tipo de reprodução ou alteração, parcial ou integral, não autorizadas deste Manual estão expressamente proibidas.
- RO** • Conținutul și imaginile din manualul de utilizare de față au fost realizate în numele STIGA SpA și sunt protejate de drepturi de autor – Este interzisă orice reproducere sau modificare chiar și parțială neautorizată a documentului.
- RU** • Тесты и изображения, содержащиеся в настоящем руководстве, были созданы в интересах STIGA SpA и защищены авторскими правами – Любое несанкционированное воспроизведение или изменение документа запрещено.
- SK** • Obsah a obrázky v tomto návode na používanie boli spracované menom spoločnosti STIGA SpA a sú chránené autorským právom – Reprodukcie či nepovolené pozměňovanie tohto dokumentu, a to aj čiastočne, je zakázané.
- SL** • Vsebine in slike v tem uporabniškem priručniku so izdelane za podjetje STIGA SpA in so zaščitene z avtorskimi pravicami – vsakršno nepooblaščenno razmnoževanje ali spreminjanje dokumenta, v celoti ali delno, je prepovedano.
- SR** • Sadržaj i slike ovog priručnika za upotrebu su napravljeni u ime STIGA SpA i zaštićeni su autorskim pravima – Zabranjena je svaka potpuna ili delimična reprodukcija ili izmena dokumenta bez odobrenja.
- SV** • Innehållet och bilderna i denna användarhandbok har framställts för STIGA SpA och skyddas av upphovsrätt – all form av reproduktion eller ändring, även partiell, som inte auktoriserats är förbjuden.
- TR** • Bu Kullanıcı Kilavuzundaki içerik ve resimler açığa STIGA SpA için üretilmiştir ve telif hakkı ile korunmaktadır – dokümanın izinsiz olarak tamamen ya da kısmen herhangi bir şekilde çoğaltılması ya da değiştirilmesi yasaktır.



.....	
Type:	 LWA dB
..... -s/n -Art.N	
	

STIGA SpA
Via del Lavoro, 6
31033 Castelfranco Veneto (TV) ITALY