

# STIGA®

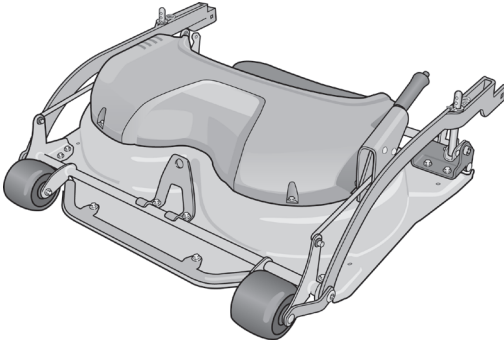
## 85 COMBI 95 COMBI 105 COMBI

Type 85C

Type 95CV, 95CV E

Type 95CP, 95CP E

Type 105C E



ASSIEME DEL DISPOSITIVO DI TAGLIO

РЕЖЕЦ ДИСК

REZNI TANJIR

SKŘÍŇ SEKAČKY

KLIPPERSKJOLD

SCHNEIDEPLATTE

ΧΛΟΟΚΟΠΤΗΣ

CUTTING MEANS ASSEMBLY

PLATO DE CORTE

LÓIKESEADE

LEIKKUUTASO

PLATEAU DE COUPE

REZNA PLOČA

VÁGÓTÁNYÉR

PJOVIMO DISKAS

PLAUSĀNANAS KUPOLS

ПЛОЧА ЗА КОСЕЊЕ

MAAIDEK

KLIPPEPANNE

AGREGAT TNAŶY

PRATO DE CORTE

PLACĀ DE TĀIERE

РЕЖУЩИЙ КУПОЛ

SKRIŇA KOSAČKY

ZAŠČITNO OHIŠJE REZILA

REZNI TANJIR

KLIPPDÄCK

KESIM PLATFORMU

MANUALE DI ISTRUZIONI..... IT

УПЪТВАНЕ ЗА УПОТРЕБА..... BG

PRIRUČNIK S UPUTAMA..... BS

NÁVOD K POUŽITÍ A ÚDRŽBĚ..... CS

INSTRUKTIONSMANUAL..... DA

GEBRAUCHSANWEISUNG..... DE

ΧΡΗΣΗ ΚΑΙ ΣΥΝΤΗΡΗΣΗ..... EL

OWNER'S MANUAL..... EN

USO Y MANTENIMIENTO..... ES

KASUTUSJUHEND..... ET

KÄYTTÖOPAS..... FI

MANUEL D'UTILISATION..... FR

PRIRUČNIK ZA UPORABU..... HR

HASZNÁLATI UTASÍTÁS..... HU

VARTOJIMO INSTRUKCIJA..... LT

OPERATORA ROKASGRĀMATA..... LV

УУПАТСТВО ЗА УПОТРЕБА..... MK

GEBRUIKERSHANDLEIDING..... NL

BRUKSANVISNING - VEDLIKEHOLD..... NO

IINSTRUKCJE OBSŁUGI..... PL

MANUAL DE USO..... PT

MANUAL DE INSTRUCȚIUNI..... RO

РУКОВОДСТВО ПО ЭКСПЛУАТАЦИИ..... RU

NÁVOD NA POUŽITIE..... SK

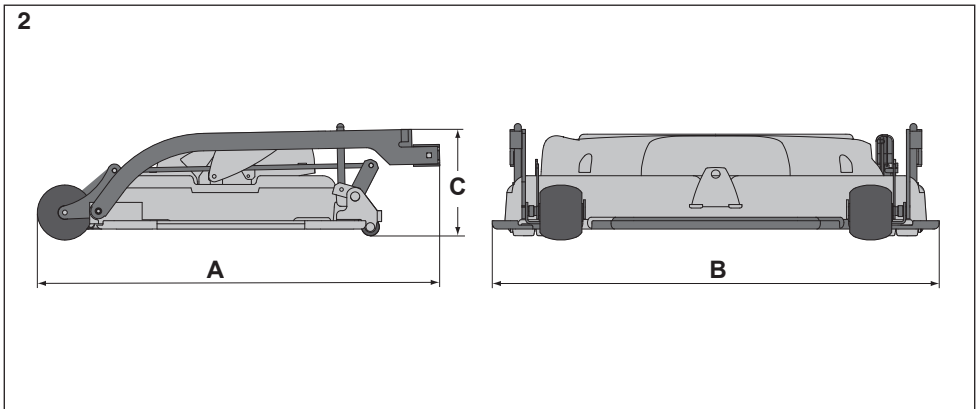
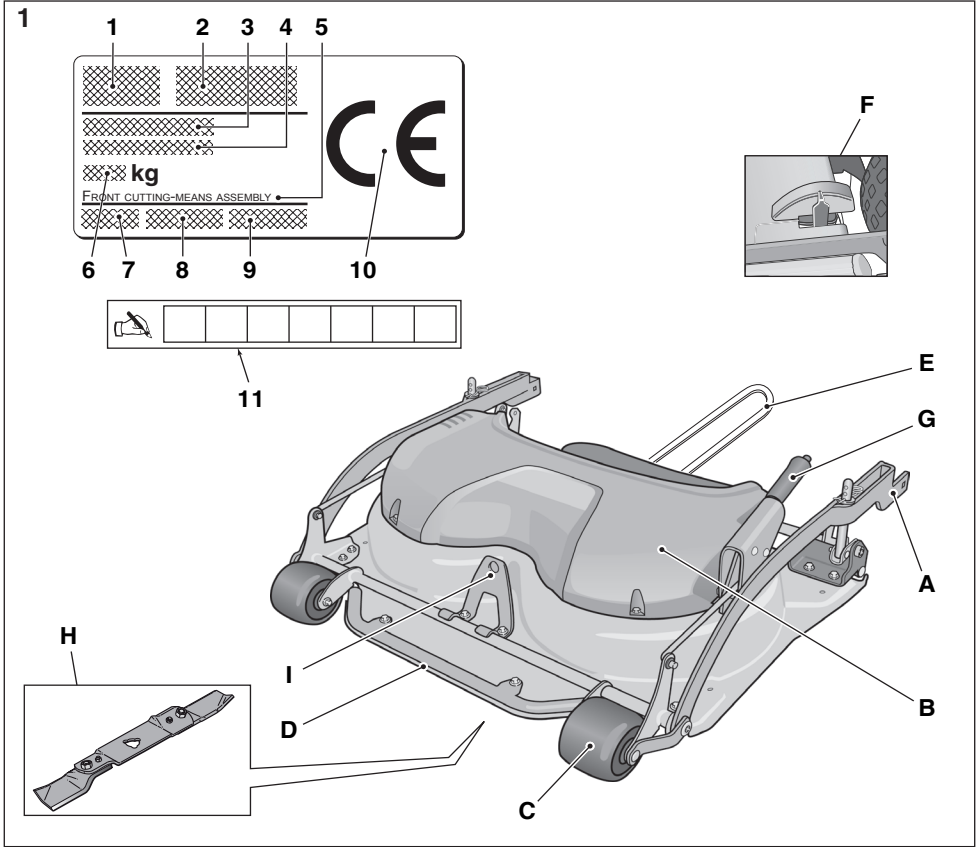
PRIROČNIK Z NAVODILI..... SL

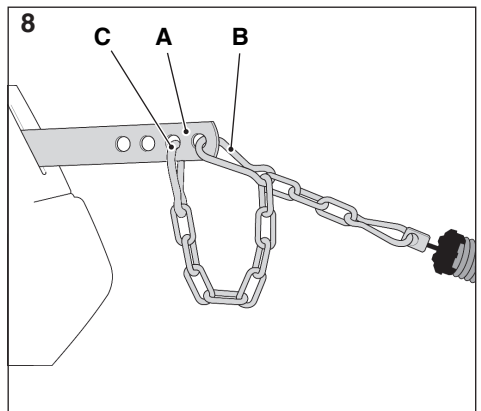
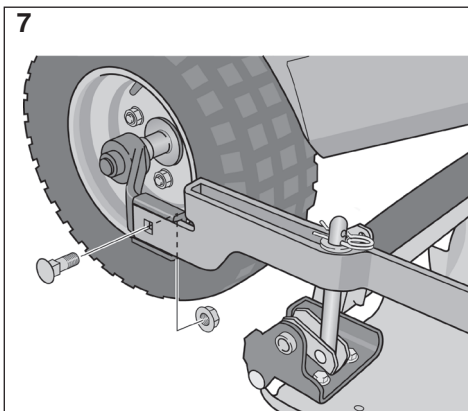
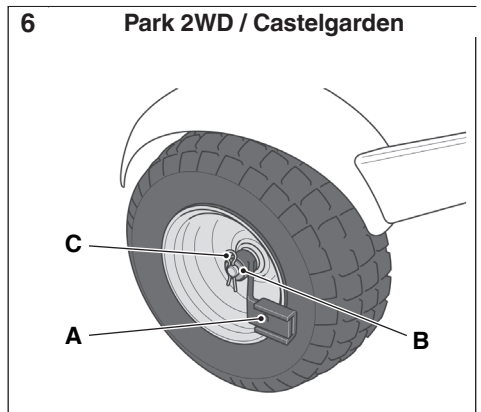
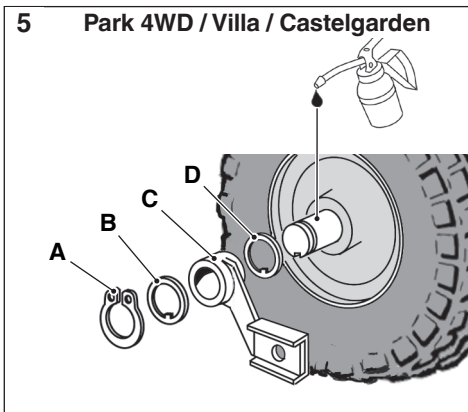
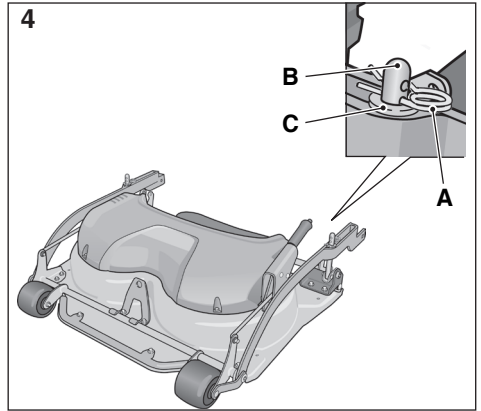
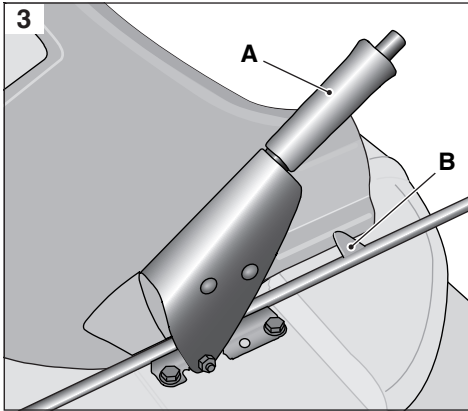
PRIRUČNIK SA UPUTSTVIM..... SR

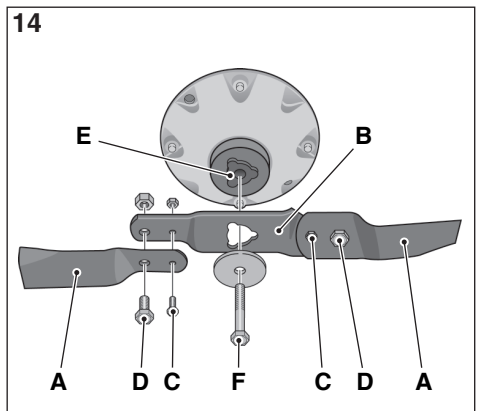
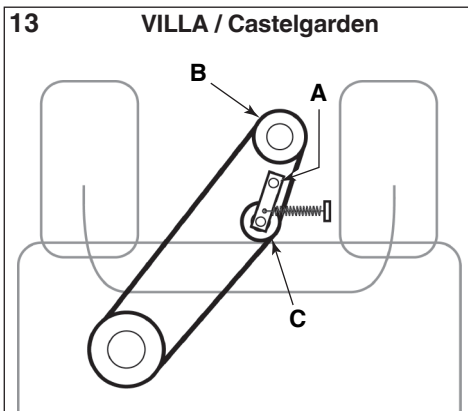
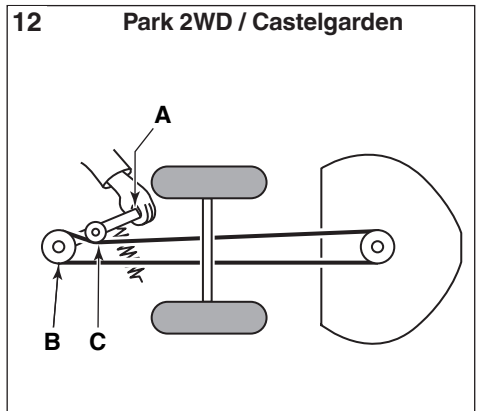
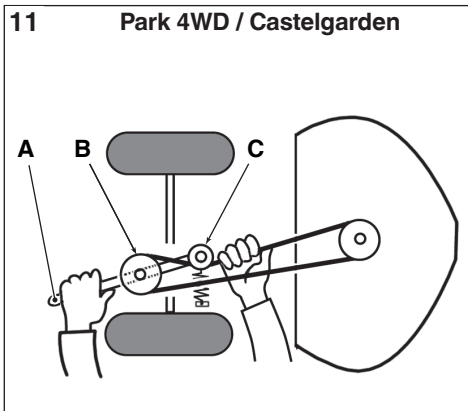
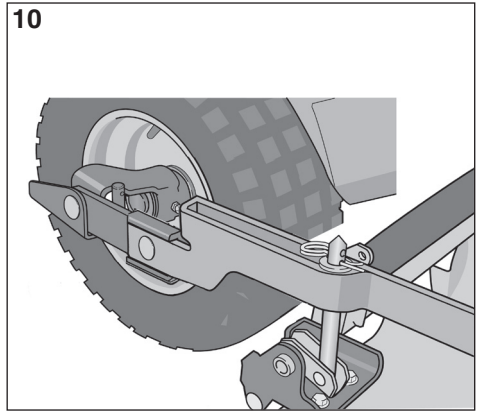
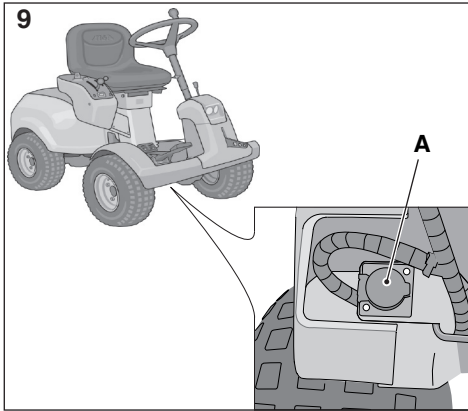
BRUKSANVISNING OCH UNDERHÅLL..... SV

KULLANIM KILAVUZU..... TR



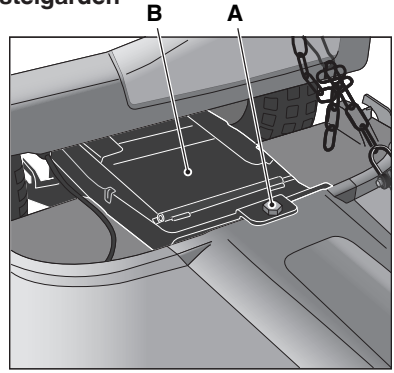
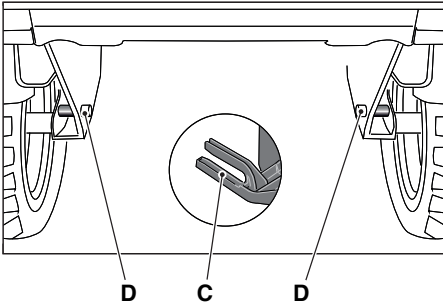






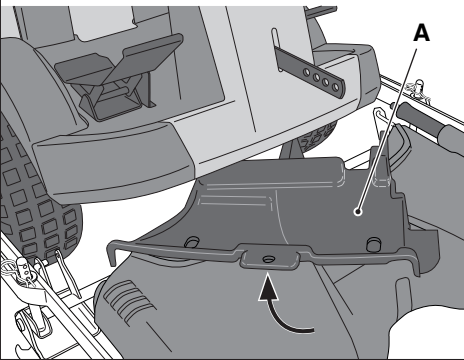
15

Park 2WD, Park 4WD / Castelgarden



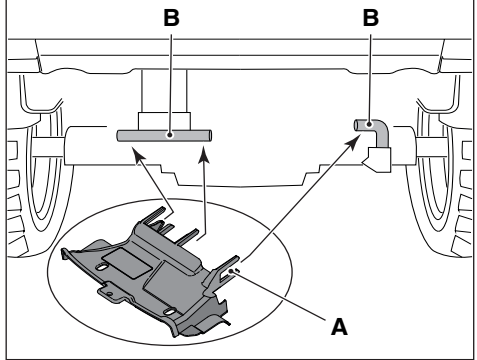
16

Villa / Castelgarden



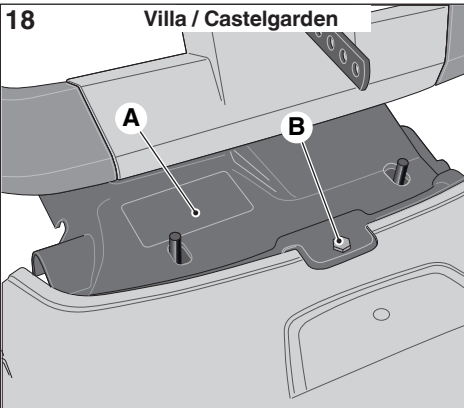
17

Villa / Castelgarden

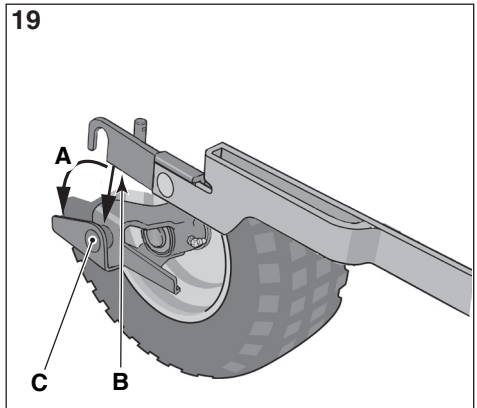


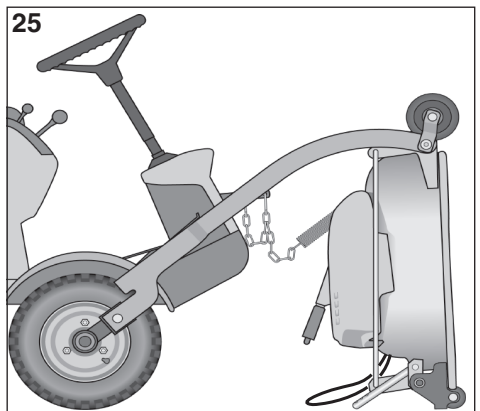
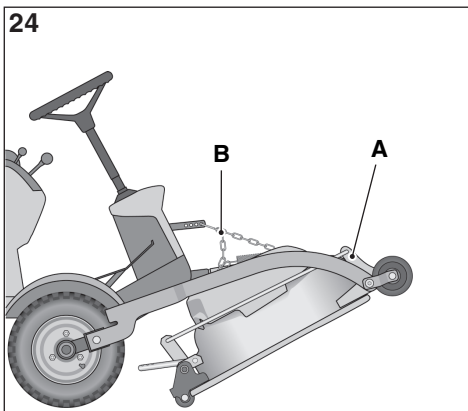
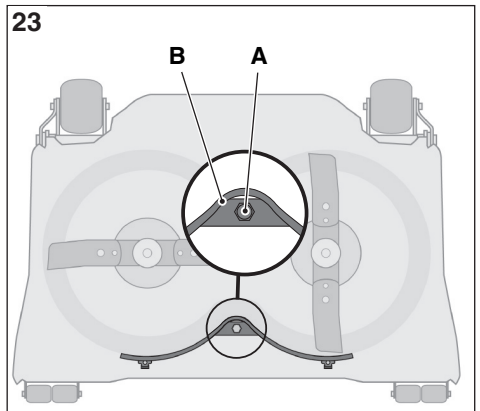
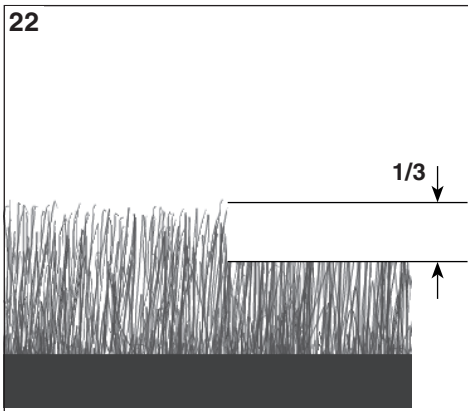
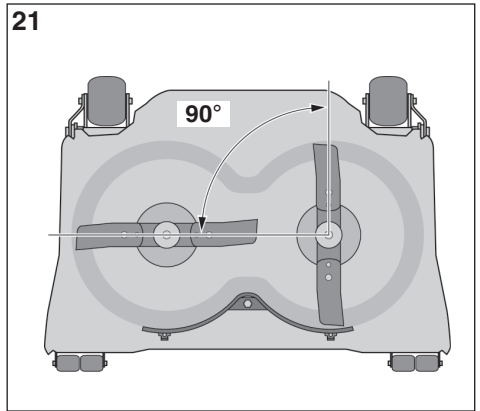
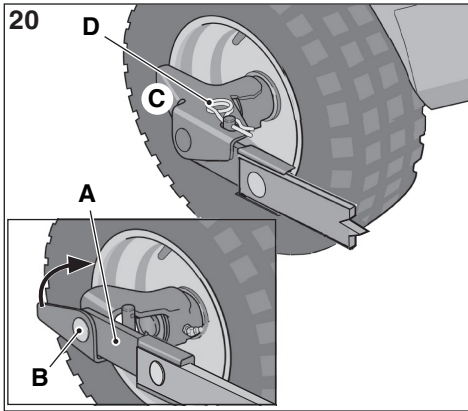
18

Villa / Castelgarden

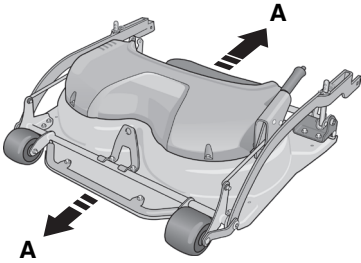


19

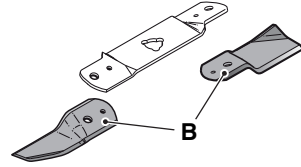
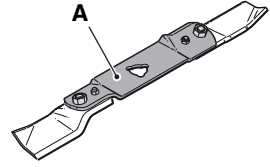




26



27





## 0 TABELLA DATI TECNICI

[1]	<b>Type</b>					
[2]	<b>Modello</b>	<b>85C</b>	<b>95CV 95CV E</b>	<b>95CP 95CP E</b>	<b>105C E</b>	
[3]	<b>Dimensioni d'ingombro</b>					
[4]	A (mm)	880	921	921	951	
[5]	B (mm)	995	1023	1023	1128	
[6]	C (mm)	267	267	267	267	
[7]	Massa (kg)	40	44-46	44-46	50	
[8]	<b>Altezza di taglio</b>					
[9]	Min (mm)	25	25	25	25	
[10]	Max (mm)	85	85	85	85	
[11]	<b>Larghezza di taglio</b>					
[12]	cm	85	95	95	105	
[13]	<b>Macchine compatibili (Type)</b>					
	V 301	✓	✓	-	-	
	P 901 C	-	-	✓	✓	
	P 901 CH	-	-	✓	✓	
[14]	<b>Codici dispositivi di taglio di ricambio</b>	<b>Rif. Fig. / Pos.</b>				
		27:A	1134-7881-01	1134-7881-02	1134-6239-02	1134-6239-03
		27:B	1134-7880-01	1134-7880-01	1134-6238-01	1134-6238-01

**БЪЛГАРСКИ***(Превод на оригиналните инструкции)***0 ТАБЛИЦА ТЕХНИЧЕСКИ ДАННИ**

[1]	<b>Туре</b>
[2]	<b>Модел</b>
[3]	Габаритни размери
[4]	A (mm)
[5]	B (mm)
[6]	C (mm)
[7]	Маса (kg)
[8]	<b>Височина на рязане</b>
[9]	Мин. (mm)
[10]	Макс. (mm)
[11]	<b>Широчина на рязане</b>
[12]	cm
[13]	Съвместими машини
[14]	Кодове на устройствата за рязане като резервна част

**BOSANSKI***(Prijevod originalnih uputa)***0 TABELICA S TEHNIČKIM PODACIMA**

[1]	<b>Type</b>
[2]	<b>Model</b>
[3]	Ukupne dimenzije
[4]	A (mm)
[5]	B (mm)
[6]	C (mm)
[7]	Težina (kg)
[8]	<b>Visina sečenja</b>
[9]	Min (mm)
[10]	Maks. (mm)
[11]	<b>Širina sečenja</b>
[12]	cm
[13]	Komplementarni strojevi
[14]	Kodovi rezervnih reznih elemenata

**ČESKY***(Překlad původního návodu k používání)***0 TABULKA TECHNICKÝCH ÚDAJŮ**

[1]	<b>Type</b>
[2]	<b>Model</b>
[3]	<b>Rozměry stroje;</b>
[4]	A (mm)
[5]	B (mm)
[6]	C (mm)
[7]	Hmotnost (kg)
[8]	<b>Výška řezu</b>
[9]	Min (mm)
[10]	Max (mm)
[11]	<b>Šířka řezu</b>
[12]	cm
[13]	Kompatibilní stroje
[14]	Kódy náhradních sekacích zařízení

**DANSK***(Oversættelse af de originale anvisninger)***0 TABEL OVER TEKNISKE SPECIFIKATIONER**

[1]	<b>Type</b>
[2]	<b>Model</b>
[3]	<b>Pladskrav</b>
[4]	A (mm)
[5]	B (mm)
[6]	C (mm)
[7]	Vægt (kg)
[8]	<b>Klippehøjde</b>
[9]	Min (mm)
[10]	Max (mm)
[11]	<b>Klippebredde</b>
[12]	cm
[13]	Kompatible maskiner
[14]	Reservedelskoder for klippeanordninger

**DEUTSCH***(Übersetzung der Originalanleitung)***0 ÜBERSICHT DER TECHNISCHEN DATEN**

[1]	<b>Type</b>
[2]	<b>Modell</b>
[3]	<b>Abmessungen</b>
[4]	A (mm)
[5]	B (mm)
[6]	C (mm)
[7]	<b>Massa (kg)</b>
[8]	<b>Gewicht (kg)</b>
[9]	Schnitthöhe
[10]	Min. (mm)
[11]	<b>Max. (mm)</b>
[12]	Schnittbreite
[13]	Kompatible Maschinen
[14]	Artikelnummern der Ersatz-Schneidvorrichtungen

**ΕΛΛΗΝΙΚΑ***(Μετάφραση του πρωτοτύπου των οδηγιών χρήσης)***0 ΠΙΝΑΚΑ ΤΕΧΝΙΚΩΝ ΣΤΟΙΧΕΪΩΝ**

[1]	<b>Οικογένεια</b>
[2]	<b>Type</b>
[3]	<b>Διαστάσεις</b>
[4]	A (mm)
[5]	B (mm)
[6]	C (mm)
[7]	<b>Βάρος (kg)</b>
[8]	<b>Ύψος κοπής</b>
[9]	Min (mm)
[10]	Max (mm)
[11]	<b>Πλάτος κοπής</b>
[12]	cm
[13]	Συμβατές μηχανές
[14]	Κωδικοί συστημάτων κοπής ανταλλακτικού

**ENGLISH***(Translation of the Original Instructions)***0 TECHNICAL DATA TABLE**

[1]	<b>Type</b>
[2]	<b>Model</b>
[3]	<b>Overall dimensions</b>
[4]	A (mm)
[5]	B (mm)
[6]	C (mm)
[7]	<b>Weight (kg)</b>
[8]	<b>Cutting height</b>
[9]	Min (mm)
[10]	Max (mm)
[11]	<b>Cutting width</b>
[12]	cm
[13]	Compatible machines
[14]	Spare cutting means codes

**ESPAÑOL***(Traducción de las instrucciones originales)***0 TABLA DE DATOS TÉCNICOS**

[1]	<b>Type</b>
[2]	<b>Modelo</b>
[3]	<b>Dimensiones</b>
[4]	A (mm)
[5]	B (mm)
[6]	C (mm)
[7]	<b>Masa (kg)</b>
[8]	<b>Altura de corte</b>
[9]	Min. (mm)
[10]	Máx. (mm)
[11]	<b>Ancho de corte</b>
[12]	cm
[13]	Máquinas compatibles
[14]	Códigos de los dispositivos de corte de recambio

ET

EESTI

*(Originaaljuhendi tõlge)*

## 0 TEHNILISTE ANDMETE TABEL

[1]	<b>Type</b>
[2]	<b>Mudel</b>
[3]	<b>gabariidid</b>
[4]	A (mm)
[5]	B (mm)
[6]	C (mm)
[7]	<b>Mass (kg)</b>
[8]	<b>Lõikekõrgus</b>
[9]	Min (mm)
[10]	Maks (mm)
[11]	<b>Lõikelaius</b>
[12]	cm
[13]	Ühilduvad masinad
[14]	Tellitavate niitmisterade koodid

FI

SUOMI

*(Alkuperäisten ohjeiden käännös)*

## 0 TEKNISTEN TIETOJEN TAULUKKO

[1]	<b>Type</b>
[2]	<b>Malli</b>
[3]	<b>Mitat</b>
[4]	A (mm)
[5]	B (mm)
[6]	C (mm)
[7]	<b>Massa (kg)</b>
[8]	<b>Leikkuukorkeus</b>
[9]	Min (mm)
[10]	Max (mm)
[11]	<b>Leikkuuleveys</b>
[12]	cm
[13]	Yhteensopivat koneet
[14]	Leikkuulaitteiden varaosien koodit

FR

FRANÇAIS

*(Traduction des Instructions Originales)*

## 0 TABLEAU DONNÉES TECHNIQUES

[1]	<b>Type</b>
[2]	<b>Modèle</b>
[3]	<b>Dimensions d'encombrement</b>
[4]	A (mm)
[5]	B (mm)
[6]	C (mm)
[7]	<b>Masse (kg)</b>
[8]	<b>Hauteur de coupe</b>
[9]	Min. (mm)
[10]	Max. (mm)
[11]	<b>Largeur de coupe</b>
[12]	cm
[13]	Machines compatibles
[14]	Codes dispositifs de coupe de rechange

HR

HRVATSKI

*(Prijevod originalnih uputa)*

## 0 TABLICA S TEHNIČKIM PODACIMA

[1]	<b>Type</b>
[2]	<b>Model</b>
[3]	<b>Dimenzije</b>
[4]	A (mm)
[5]	B (mm)
[6]	C (mm)
[7]	<b>Težina (kg)</b>
[8]	<b>Visina reza</b>
[9]	Min. (mm)
[10]	Max. (mm)
[11]	<b>Zahvat</b>
[12]	cm
[13]	Komplementarni strojevi
[14]	Kodovi zamjenskih reznih elemenata

**MAGYAR***(Eredeti utasítás fordítása)***0 MŰSZAKI ADATOK TÁBLÁZATA**

[1]	<b>Type</b>
[2]	<b>Modell</b>
[3]	<b>Helyfoglalás</b>
[4]	A (mm)
[5]	B (mm)
[6]	C (mm)
[7]	Tömeg (kg)
[8]	<b>Vágás magasság</b>
[9]	Min. (mm)
[10]	Max. (mm)
[11]	<b>Vágás hosszúság</b>
[12]	cm
[13]	Kompatibilis gépek
[14]	Csere vágóberendezés kódja

**LIETUVIŠKAI***(Originalių instrukcijų vertimas)***0 TECHNINIŲ DUOMENŲ LENTELĖ**

[1]	<b>Type</b>
[2]	<b>Modelis</b>
[3]	<b>Helyfoglalás</b>
[4]	A (mm)
[5]	B (mm)
[6]	C (mm)
[7]	Svoris (kg)
[8]	<b>Pjūvio aukštis</b>
[9]	Min. (mm)
[10]	Maks. (mm)
[11]	<b>Pjūvio plotis</b>
[12]	cm
[13]	Suderinamos staklės
[14]	Atsarginių pjovimo prietaisų dalių kodai

**LATVIEŠU***(Instrukciju tulkojums no oriģinālvalodas)***0 TEHNISKO DATU TABULA**

[1]	<b>Type</b>
[2]	<b>Modelis</b>
[3]	<b>Balstvirsmas izmēri</b>
[4]	A (mm)
[5]	B (mm)
[6]	C (mm)
[7]	Masa (kg)
[8]	<b>Zāģēšanas augstums</b>
[9]	Min. (mm)
[10]	Maks. (mm)
[11]	<b>Zāģēšanas platums</b>
[12]	cm
[13]	Saderīga iekārta
[14]	Plaušanas ierīču rezerves daļu kodi

**МАКЕДОНСКИ***(превод на оригиналните инструкции)***0 ТАБЕЛА СО ТЕХНИЧКИ ПОДАТОЦИ**

[1]	<b>Сериј</b>
[2]	<b>Туре</b>
[3]	Вкупни димензии
[4]	A (mm)
[5]	B (mm)
[6]	C (mm)
[7]	Тежина (кг)
[8]	<b>Висина на сечење</b>
[9]	Мин (мм)
[10]	Максимум (мм)
[11]	<b>Ширина на сечење</b>
[12]	cm
[13]	Компатибилни уреди
[14]	Кодови од резервните делови за сечење

**NEDERLANDS***(Vertaling van de originele gebruiksaanwijzingen)***0 TABEL TECHNISCHE GEGEVENS**

[1]	<b>Type</b>
[2]	<b>Model</b>
[3]	<b>Afmetingen</b>
[4]	A (mm)
[5]	B (mm)
[6]	C (mm)
[7]	<b>Massa (kg)</b>
[8]	<b>Snijhoogte</b>
[9]	Min (mm)
[10]	Max (mm)
[11]	<b>Snijbreedte</b>
[12]	cm
[13]	Compatibele machines
[14]	Code reservesnijbladen

**NORSK***(Oversettelse av den originale bruksanvisningen)***0 TABELL - TEKNISKE DATA**

[1]	<b>Type</b>
[2]	<b>Modell</b>
[3]	<b>Utvendige mål</b>
[4]	A (mm)
[5]	B (mm)
[6]	C (mm)
[7]	<b>Masse (kg)</b>
[8]	<b>Kuttehøyde</b>
[9]	Min (mm)
[10]	Maks (mm)
[11]	<b>Kuttebredde</b>
[12]	cm
[13]	Kompatible maskiner
[14]	Reservedelskoder for klipperedskaper

**POLSKI***(Tłumaczenie Instrukcji oryginalnej)***0 TABELA DANYCH TECHNICZNYCH**

[1]	<b>Type</b>
[2]	<b>Model</b>
[3]	<b>Wymiary</b>
[4]	A (mm)
[5]	B (mm)
[6]	C (mm)
[7]	<b>Masa (kg)</b>
[8]	<b>Wysokość cięcia</b>
[9]	Min (mm)
[10]	Maks (mm)
[11]	<b>Szerokość cięcia</b>
[12]	cm
[13]	Maszyny kompatybilne
[14]	Kody wymiennych agregatów tnących

**PORTUGUÊS***(Tradução do manual original)***0 TÉCNICO TABELA DE DADOS**

[1]	<b>Type</b>
[2]	<b>Modelo</b>
[3]	<b>Dimensões de delimitação</b>
[4]	A (mm)
[5]	B (mm)
[6]	C (mm)
[7]	<b>Peso (kg)</b>
[8]	<b>Altura de corte</b>
[9]	Min (mm)
[10]	Máx (mm)
[11]	<b>Largura de corte</b>
[12]	cm
[13]	Máquinas compatíveis
[14]	Códigos dispositivos de corte de substituição



## ROMÂN

(Traducerea instrucțiunilor originale)

### 0 TABEL CU DATE TEHNICE

[1]	<b>Familia</b>
[2]	<b>Type</b>
[3]	Dimensiuni de gabarit
[4]	A (mm)
[5]	B (mm)
[6]	C (mm)
[7]	Greutate (kg)
[8]	<b>Înălțimea de tăiere</b>
[9]	Min (mm)
[10]	Max (mm)
[11]	<b>Lățimea de tăiere</b>
[12]	cm
[13]	Mașini compatibile
[14]	Coduri dispozitive de tăiere de schimb



## РУССКИЙ

(Перевод оригинальных инструкций)

### 0 ТАБЛИЦА ТЕХНИЧЕСКИХ ДАННЫХ

[1]	<b>Тип</b>
[2]	<b>Модель</b>
[3]	<b>Габаритные размеры</b>
[4]	A (mm)
[5]	B (mm)
[6]	C (mm)
[7]	Масса (кг)
[8]	<b>Высота резки</b>
[9]	Мин. (мм)
[10]	Макс. (мм)
[11]	<b>Ширина резки</b>
[12]	см
[13]	Машины совместимы
[14]	Коды запасных режущих устройств



## SLOVENSKY

(Preklad pôvodného návodu na použitie)

### 0 TABUĽKA TECHNICKÝCH ÚDAJOV

[1]	<b>Rada</b>
[2]	<b>Type</b>
[3]	Rozmery zariadenia
[4]	A (mm)
[5]	B (mm)
[6]	C (mm)
[7]	Hmotnosť (kg)
[8]	<b>Výška rezu</b>
[9]	Min (mm)
[10]	Max (mm)
[11]	<b>Šírka rezu</b>
[12]	cm
[13]	Kompatibilné stroje
[14]	Kódy náhradných sekacích zariadení



## SLOVENŠČINA

(Prevod originalnih navodil)

### 0 TABELA S TEHNIČNIMI PODATKI

[1]	<b>Typ</b>
[2]	<b>Model</b>
[3]	<b>Dimenzije velikosti</b>
[4]	A (mm)
[5]	B (mm)
[6]	C (mm)
[7]	Teža (kg)
[8]	<b>Višina reza</b>
[9]	Min (mm)
[10]	Maks. (mm)
[11]	<b>Širina reza</b>
[12]	cm
[13]	Združljivi stroji
[14]	Kode rezilnih naprav (nadomestni deli)

**SRPSKI***(Prevod originalnog uputstva)***SVENSKA***(Översättning av bruksanvisning i original)***0 TABELA S TEHNIČKIM PODACIMA**

[1]	<b>Vrsta</b>
[2]	<b>Type</b>
[3]	<b>Ukupne dimenzije</b>
[4]	A (mm)
[5]	B (mm)
[6]	C (mm)
[7]	<b>Težina (kg)</b>
[8]	<b>Visina sečenja</b>
[9]	Min. (mm)
[10]	Maks. (mm)
[11]	<b>Zahvat</b>
[12]	cm
[13]	Komplementarne mašine
[14]	Šifre rezervnih reznih elemenata

**0 TABELL MED TEKNISKA DATA**

[1]	<b>Type</b>
[2]	<b>Modell</b>
[3]	<b>Dimensioner</b>
[4]	A (mm)
[5]	B (mm)
[6]	C (mm)
[7]	<b>Massa (kg)</b>
[8]	<b>Skärhöjd</b>
[9]	Min (mm)
[10]	Max (mm)
[11]	<b>Skärbredd</b>
[12]	cm
[13]	Kompatibla maskiner
[14]	Koder för knivreservdelar

**TÜRKÇE***(Orijinal Talimatların Tercümesi)***0 TEKNİK BİLGİ TABLOSU**

[1]	<b>Aile</b>
[2]	<b>Type</b>
[3]	<b>Boyutlar</b>
[4]	A (mm)
[5]	B (mm)
[6]	C (mm)
[7]	<b>Kütle (kg)</b>
[8]	<b>Kesim yüksekliği</b>
[9]	Min (mm)
[10]	Maks (mm)
[11]	<b>Kesim genişliği</b>
[12]	cm
[13]	Uyumlu makineler
[14]	Yedek parça kesim aletleri kodları



Table of Contents

**0 TECHNICAL DATA TABLE . . . . . VII**

**1 INTRODUCTION . . . . . 3**

1.1 *STRUCTURE OF THE MANUAL . . . . . 3*

1.2 *SYMBOLS . . . . . 3*

1.3 *TAKING CARE OF THE MANUAL . . . . . 3*

1.4 *DEFINITIONS . . . . . 3*

**2 INTRODUCTION TO THE ACCESSORY . . . . . 3**

2.1 *INTENDED USE . . . . . 3*

2.2 *IMPROPER USE . . . . . 3*

2.3 *SAFETY SIGNS. . . . . 3*

2.4 *IDENTIFICATION LABEL. . . . . 4*

2.5 *MAIN COMPONENTS. . . . . 4*

**3 SAFETY REGULATIONS . . . . . 4**

3.1 *TRAINING . . . . . 4*

3.2 *PREPARATION . . . . . 5*

3.3 *DURING OPERATION. . . . . 5*

3.4 *MAINTENANCE AND STORAGE . . . . . 7*

3.5 *TRANSPORTING . . . . . 8*

3.6 *ENVIRONMENTAL PROTECTION . . . . . 8*

3.7 *MAINTENANCE AND ASSISTANCE. . . . . 9*

**4 CONTROLS . . . . . 9**

4.1 *CUTTING HEIGHT ADJUSTMENT . . . . . 9*

4.2 *FORWARD TILT . . . . . 9*

**5 HOOKING THE CUTTING DECK UP TO THE MACHINE . . . . . 9**

5.1 *Hook-up to the accessory lift device . . . . . 9*

5.2 *HOOK UP TO THE MOUNTS ATTACHED TO THE WHEELS . . . . . 9*

5.2.1 *Cutting means with electric cutting height adjustment . . . . . 9*

5.2.2 *Hook up with fixed mounts . . . . . 9*

5.2.3 *Hook-up with quick-release supports. . . . . 10*

5.3 *TYRE PRESSURE . . . . . 11*

5.4 *BASIC ADJUSTMENT. . . . . 11*

**6 HANDLING THE CUTTING-MEANS ASSEMBLY . . . . . 11**

**7 USING THE ACCESSORY . . . . . 11**

7.1 *CUTTING HEIGHT . . . . . 11*

7.2 *TILT . . . . . 11*

7.2.1 *Basic adjustment . . . . . 12*

7.2.2 *Greater tilt . . . . . 12*

7.3 *MOWING TIPS . . . . . 12*

7.4 *COMPOSTING / REAR DISCHARGE . . . . . 12*

- 8 MAINTENANCE . . . . . 12**
- 8.1 PREPARATION . . . . . 12
- 8.2 WASHING POSITION . . . . . 12
- 8.3 MAINTENANCE POSITION . . . . . 12
- 8.3.1 Machine with fixed mounts. . . . . 12
- 8.3.2 Machines with quick-release supports . . . . . 13
- 8.4 CLEANING. . . . . 14
- 8.5 CUTTING MEANS . . . . . 14
- 8.5.1 Introduction. . . . . 14
- 8.5.2 Cutting means replacement. . . . . 14
- 8.5.3 Cutting means synchronization . . . . . 14
- 9 SPARE PARTS. . . . . 15**
- 10 TERMS OF PURCHASE. . . . . 15**

# 1 INTRODUCTION



**Read the instruction manual before using the accessory.**

## 1.1 STRUCTURE OF THE MANUAL

This manual is made up of the cover, the table of contents, a section containing all the figures and explanatory text.

Contents are divided into chapters, headings and subheadings.

### Figures

The figures in these instructions for use are numbered 1, 2, 3, etc.

Components shown in the figures are marked A, B, C, etc.

A reference to a figure is written (4).

A reference to component C in figure 2 is written (2:C).

### Headings

The headings in these instructions for use are numbered in accordance with the following example:

"3.2 GENERAL SAFETY CHECK" is a sub-heading to "3 SAFETY CHECKS" and is included under this heading.

When referring to headings, usually only the relative number is specified, e.g. "See 7.6.2".

## 1.2 SYMBOLS



**WARNING symbol. Failure to observe the instructions provided may result in serious injury and/or material damage.**



**MANDATORY symbol. Used to indicate that an operation is mandatory.**



**PROHIBITION symbol. Used to indicate that an operation is prohibited.**



**NOTE symbol. Indicates information or details which are particularly important**

## 1.3 TAKING CARE OF THE MANUAL

Keep the manual in good, legible condition, in a place which is known and easily accessible to the machine user.

## 1.4 DEFINITIONS

Main machine: in this manual the term "main machine" or "machine" refers to the machine the cutting deck assy is hooked up to.

# 2 INTRODUCTION TO THE ACCESSORY

The accessory described herein is a gardening tool which must be attached to another machine (from which it receives power and support) for it to be used.

The accessory has been specifically designed to mow lawns.

## 2.1 INTENDED USE

The "cutting deck assy" has been specifically designed and built to mow grass.

## 2.2 IMPROPER USE

Any other use, different to the uses cited above, may be dangerous and cause injury and/or material damage.

Improper uses (by way of example and not limited to) are:

- activation of the cutting means on grass-free areas.



**Improper use will render the warranty null and void and the Manufacturer shall be exonerated from all liability, with all responsibility for damages or injuries to self or third parties being transferred to the user.**

## 2.3 SAFETY SIGNS

Safety signs on the accessory are designed to inform the user as to the correct conduct to be maintained when using the machine, in particular for operations which require special caution and attention.



Caution!



Read the instruction manual carefully before using the accessory.



Caution!



NEVER put your hands or feet under the safeguard when the accessory is in operation.



Caution!



Watch out for any loose objects on the ground. Pay attention to any other people who may be in the area.



Caution!



Before performing any repair operations, disconnect the spark plug lead from the spark plug.

## 2.4 IDENTIFICATION LABEL

The identification label holds the following data (see fig. 1):

1. Trade Mark
2. Manufacturer's address
3. Model
4. Type of accessory
5. Machine name
6. Weight in Kg
7. Year of manufacture
8. Serial number
9. Article code
10. CE conformity marking



Write your machine's serial number in the space provided in the figure (1:11).

The product is identified by the article number and accessory serial numbers.



**Use these means of identification whenever you contact an authorized service workshop.**



**The example of the declaration of conformity can be found on the second to last page of this manual.**

## 2.5 MAIN COMPONENTS (1)

The accessory is made up of the following main components (see fig. 1):

- A. Arms
- B. Safeguard
- C. Wheels
- D. Grip point for manual lifting.
- E. Cutting-means assembly belt
- F. Cutting height indicator with electric adjustment (if present)
- G. Manual cutting height adjustment (if present)
- H. Cutting means
- I. Chain hook-up point
- J. Hook-up chain to the accessory lift

## 3 SAFETY REGULATIONS

### 3.1 TRAINING



**CAUTION! Read these instructions carefully before using the machine.**

**Be familiar with the controls and the proper use of the machine.**

**Learn how to stop the engine quickly.**

**Failure to observe the warnings and instructions may lead to fire and/or serious injury.**

**Please keep all the warnings and instructions for future reference.**



**Never allow children or people unfamiliar with these instructions to use the machine.**

**Local regulations may restrict the age of the operator.**



**Never use the machine when bystanders, especially children, or pets are in the surroundings.**



**Never use the machine if the user is tired or unwell, or has taken medicine, drugs, alcohol or substances which may slow his reflexes and compromise his judgement.**



**Keep in mind that the operator or user is responsible for accidents or hazards occurring to other people or their property.**

**It is the user's responsibility to assess the potential risk of the area where work is to be carried out, and to take all the necessary precautions to ensure his own safety and that of others, particularly on slopes or rough, slippery and unstable ground.**



**In the event of changes in ownership or loan of the machine, make sure the future user reads the instructions for use provided in this manual.**



**Never carry children or other passengers on the machine: they might fall off and be seriously injured or inhibit safe use of the machine.**



**The operator of a machine must carefully follow the driving instructions, particularly:**

- a. the need for care and concentration when using machines;
- b. that control of a machine sliding on a slope will not be regained by the application of the brake. The main cause behind a loss of machine control are:
  - insufficient wheel grip;
  - being driven too fast;
  - inadequate braking;
  - the type of machine is unsuitable for its task;
  - lack of awareness of the effect of ground conditions, especially slopes;
  - Incorrect use of the machine as a towing vehicle;



**The machine is equipped with a series of safety microswitches and devices which must never be removed, altered or tampered with. Removing these devices invalidates the warranty and the manufacturer declines any responsibility. Always check the safety devices work before using the machine.**

### 3.2 PREPARATION

- When using the machine always wear sturdy, slip-resistant footwear and long trousers.
- Never activate the machine when barefoot or wearing open-toe sandals.
- Do not wear chains, bracelets, cumbersome clothing with strings or ties.
- Tie back long hair. Always wear hearing protectors.
- Thoroughly inspect the area where the equipment is to be used and remove all objects which may be thrown by the machine (stones, sticks, metal wire, bones, etc.)



**CAUTION: DANGER! Petrol is highly inflammable.**

- a. store fuel in containers specifically designed for this purpose;
- b. refuel using a funnel and outdoors only. Do not smoke while refuelling or whenever handling the fuel;
- c. add fuel before starting the engine. Never remove the cap of the fuel tank or add fuel

while the engine is running or when the engine is hot;

- d. if fuel is spilled, do not attempt to start the engine but move the machine away from the area of spillage and avoid creating any source of ignition until the fuel has evaporated and the fumes dispersed;
- e. replace caps of all fuel tanks and containers securely.



**Replace faulty silencers.**



**Before using, always carry out a visual inspection, particularly of the cutter blade, seeing that the screws and cutter deck assembly are not worn or damaged.**

**Replace a worn or damaged cutter blade and screws as a set to preserve balance.**

**Any repair shall be performed by an authorized service centre.**



**Check the condition of the battery at frequent intervals. Replace if damages to the casing, cover or terminals are found.**

### 3.3 DURING OPERATION



**Never start the engine in a confined area where hazardous carbon monoxide gases can build up. All starting operations have to be effected in an open or well ventilated area! ALWAYS REMEMBER THAT EXHAUST GASES ARE TOXIC!**



**Mow only in daylight or with good artificial light in good visibility conditions.**



**Keep persons, children and animals away from the working area.**



**If possible, avoid working on wet grass. Do not work under rain or thunderstorms.**



**Do not use the machine in bad weather, especially if there is a risk of lightning.**



**Before starting the engine, disengage the cutter blade or the PTO and put the gear into neutral.**



**Take special care when approaching obstacles which may obscure your vision.**



**Apply the parking brake when you park the machine.**



**The machine may not be driven on slopes greater than 10° (17%), in any direction.**



**Remember there is no such thing as a "safe" slope. Travel on grass slopes requires particular care. To avoid roll-over of losing control of the machine:**

- do not stop or start suddenly when going up or downhill;
- engage the drive slowly and always keep the machine in gear, especially when travelling downhill;
- machine speeds should be kept low on slopes and during tight turns;
- Beware of humps, hollows and other hidden dangers;
- Never mow across the face of the slope. When mowing on a slope, proceed up and down the slope as opposed to across it, taking great care when changing direction that the first wheels do not hit obstacles (such as stones, branches, roots, etc.), that may cause the machine to slide sideways, roll over or otherwise cause loss of control.



**Reduce speed before any change of direction on slopes and always engage the parking brake before leaving the machine stopped and unattended.**



**exercise caution in the proximity of cliffs, ditches or embankments. The machine may overturn if a wheel drives over the edge or the edge gives way.**



**Exercise maximum caution when reversing and working in reverse. Look behind you both before and during reversing to make sure there are no obstacles.**



**Use care when pulling loads or using heavy equipment:**

- use only approved drawbar hitch points;
- limit loads to those you can safely control;

- Do not make any sudden turns. Use care when reversing;
- use counterweight(s) or wheel weights whenever advised in the instructions manual.



**Disengage the cutter blade or PTO and lift the cutting deck assy to its highest position when crossing grass-free areas or when moving from one area to another.**



**Look out for traffic when using the machine near the road.**



**CAUTION! The machine has not been approved for use on public roads. It has to be used (as indicated by the highway code) in private areas closed to traffic.**



**Never use the machine if the safeguards are damaged.**



**Do not put hands or feet near or under rotating parts. Keep clear of the discharge opening at all times.**



**Do not leave the machine on high grass with the engine running to avoid the risk of starting a fire.**



**When using accessories, always direct the discharge chute away from people.**



**Only use accessories approved by the machine manufacturer.**



**Do not use the machine if the accessories/tools are not installed in the correct places. Driving without accessories may adversely effect machine stability.**



**Take care when using grass collectors and other accessories which may alter machine stability, especially when working on a slope.**



**Do not change the engine governor settings or overspeed the engine.**



**Do not touch engine components which get hot during use. Burns hazard.**



**Disengage the cutter blade or the PTO, set the engine to the idle position, stop the engine and remove the key (make sure that all moving parts have come to a complete stop):**

- a. whenever you leave the machine unattended or leave the driver's seat.
- b. before removing the jamming cause or unclogging the collector channel;
- c. before checking, cleaning or working on machine;
- d. after striking a foreign object. Inspect the machine for damage and make repairs before restarting and operating the machine;



**Disengage the cutter blade or the PTO and stop the engine (make sure that all moving parts have come to a complete stop):**

- a. Before refuelling;
- b. Every time you remove the grass collector sack or put it back on;
- c. adjusting the cutting height, assuming this operation cannot be done from the driver's seat.



**Disengage the cutting blade or the PTO during transport or whenever the machine is not being used.**



**Reduce the throttle setting before stopping the engine. Turn the fuel off at the conclusion of mowing, following the instructions in the manual.**



**Take care with multiple blade cutting decks as one rotating blade may cause other blades to rotate.**



**WARNING - In the event of failures or accidents when working with the machine, stop the engine immediately and move the machine away to avoid causing further damage; in the event of accidents with injuries to operators or third parties, take the first aid measures which are most appropriate to deal with the situation and contact a health care facility for the necessary treatment.**

**Carefully remove any debris which could cause damage or injury to persons or animals if ignored.**



**The noise and vibration levels shown in these instructions are the maximum levels for use of the machine. The use of an unbalanced cutting element, the excessive speed of movement, or the absence of maintenance have a signifi-**

**cant influence on noise emissions and vibrations. Consequently, it is necessary to take preventive steps to eliminate possible damage due to high levels of noise and stress from vibration. Maintain the machine well, wear ear protection devices.**

### 3.4 MAINTENANCE AND STORAGE



**CAUTION! - Before cleaning or doing maintenance work, take out the ignition key and read the relevant instructions. Wear adequate clothing and work gloves whenever your hands are at risk.**



**CAUTION! - Never use the machine with worn or damaged parts. Faulty or worn-out parts must always be replaced and never repaired. Only use original spare parts: The use of non-original and/or incorrectly fitted parts will compromise the safety of the machine, may cause accidents or personal injuries for which the Manufacturer is under no circumstance liable or responsible.**



**Any regulations and maintenance operations not described herein must be carried out by your Dealer or Authorized Service Centre, which have the necessary knowledge and equipment to ensure that the work is carried out correctly, maintaining the correct degree of safety and the original operating conditions of the machine. Any adjustments or maintenance operations carried out by people not having the necessary knowledge will nullify the warranty and exonerate the manufacturer from all liability.**

- After each use of the machine, remove the key and check for any damage.
- Keep all nuts, bolts and screws tight to be sure the equipment is in safe working condition. Regular maintenance is essential for safety and for maintaining performance levels.
- Regularly check that the cutting deck blade screws are securely tightened.



**Wear suitable work gloves when handling the cutter blade assembly during removal and installation operations.**



**Check the cutting blade's balance after sharpening. All operations concerning the cutting deck assy (disassembling, sharpening, balancing, assembling and/or replacement) are tough works and require a specific knowledge as well as special tools; for sake of safety, they should always be performed by an authorized service centre.**

- Regularly check the brakes work properly. It is important to service the brakes and repair them if necessary.
- Frequently check the grass collector for wear and damage.
- Replace any damaged warning and instruction stickers.
- If the machine has no mechanical stoppers for transport, accessories must always be resting on the ground when the machine is parked, stored or left unattended.
- Store the machine where children cannot get to it.



**Never store the equipment with fuel in the tank inside a building where fumes may reach a flame or a spark or a source of extreme heat.**

- Allow the engine to cool before storing in an enclosed space.
- To reduce the fire hazard, keep the engine, exhaust silencer, battery compartment and fuel storage area free of grass, leaves, or excessive grease.
- To reduce the risk of fire, regularly check the machine for oil and/or fuel leaks.
- If the fuel tank has to be drained, this should be done outdoors and when the engine is cool.
- The ignition key must never be left inserted in the machine, or where children or persons not familiar to the machine may reach it. Before any maintenance or repair, remove the ignition key.



**CAUTION! – Battery acid is corrosive. In the event of mechanical damage or overcharging, acid may leak out. Avoid inhalation or contact with any part of the body.**



**Inhaled acid fumes are harmful to mucous membranes and other internal organs. Seek medical attention immediately.**



**CAUTION! – Do not overcharge the battery. Excessive charging may cause the battery to explode with subsequent acid leaks.**



**CAUTION! – Acid can seriously damage tools, clothing and other materials. Rinse away spilled acid immediately with water.**



**Do not short circuit the battery terminals. Sparks occur which can result in fire.**



**TAKE CARE over the hydraulic components. Pressurized hydraulic fluid leaks may lead to injection injuries which can seriously damage tissues and need immediate medical attention.**

### 3.5 TRANSPORTING



**CAUTION! - If the machine is transported on a truck or trailer, use ramps with suitable resistance, width and length.**

**Load the machine with the engine switched off, without a driver and pushed by an adequate number of people.**

**During transport, close the fuel stopcock (if fitted), lower the cutting deck assy or the accessory, engage the parking brake and fasten the machine securely with ropes or chains to the hauling device.**

### 3.6 ENVIRONMENTAL PROTECTION

- Safeguarding the environment must be a relevant and priority aspect of machine use, of benefit to the community and the environment we live in. Avoid being a disturbance to the neighbourhood.
- Adhere strictly to the local regulations governing the disposal of packaging, oil, fuel, filters, damaged parts or any other element which may have an impact on the environment; this waste should not be disposed of along with standard household waste, but must be disposed of separately and sent to special waste disposal facilities for handling and recycling.
- Adhere strictly to local regulations governing the disposal of cuttings.



- When the machine is withdrawn from service, do not dump it in the environment, but take it to a waste disposal facility in accordance with the local regulations in force.

### 3.7 MAINTENANCE AND ASSISTANCE

Before proceeding to hook-up/unhook the cutting-means assembly to/from the machine, perform washing procedures or maintenance in general:



**Take the machine onto a flat surface.**



**Activate the parking brake (please refer to the machine's manual)**



**For petrol powered machines; disconnect the spark plug leads.**

**For diesel powered machines; disconnect the (negative) lead from the battery.**

**Remove the key from the ignition. (Please refer to the machine's manual).**



**Wear protective gloves**

- Tighten all nuts and screws to ensure safe accessory operations.
- Regularly check that the cutting means screws are securely tightened.
- For the sake of safety, replace worn or damaged parts.
- Replace any damaged warning and instruction stickers.

---

## 4 CONTROLS

---

### 4.1 CUTTING HEIGHT ADJUSTMENT

The cutting height can be adjusted between 25 - 90 mm.



**Make all adjustments with the machine switched off.**

#### 1) Electric cutting height adjustment

The cutting height is fully adjustable with minute precision by acting on the relative switch (if present) on the main machine.

The indicator (1:F) shows the height adjustment.



**For electric cutting height regulation to be functional, the plug on the cutting deck assembly's electric cable must be inserted in the socket (9:A) on the ma-**

**chine.**

#### 2) Manual cutting height adjustment

The cutting height can be adjusted to a number of fixed positions using the lever (3:A).

The pointer (3:B) indicates the height adjustment.

#### 4.2 FORWARD TILT

The rear section of the cutting deck assy can be raised 12 mm by moving the two cotter pins or pegs (4:A) down one hole on the supports (4B).

---

## 5 HOOKING THE CUTTING DECK UP TO THE MACHINE

---

The cutting deck assy must be hooked up to the main machine by means of the mounts attached to the front wheels and a chain which is connected to the accessory lift hook.

The mounts are attached to the arms (1:A).

#### 5.1 Hook-up to the accessory lift device

The cutting deck assy must be hooked up to the "accessories lift lever" (8:A) on the main machine by means of a chain and clip-on hooks.

One clip-on hook (8:B) is for the operating position and can be moved between the chain links to adjust the lifting force.

The other clip-on hook (8:C) is for the washing position.

#### 5.2 HOOK UP TO THE MOUNTS ATTACHED TO THE WHEELS

##### 5.2.1 Cutting means with electric cutting height adjustment

1. Bring the cutting-means assembly up to the machine, insert the electric cable plug in the socket (9:A) and set the cutting height to maximum. See 4.1.
2. Disconnect the plug from the socket.

##### 5.2.2 Hook up with fixed mounts

Example of fixed mounts, see (5:C and 6:A).



**Follow the indications provided in heading 3.7.**

1. Place the cutting device assy in front of the machine.
2. The cutting-means assembly mounts are installed on the machine axles as follows:

**Park 2WD:**

- Cutting-means assembly mount (6:A)
- Washer (6:B)
- Cotter pin or peg (6:C)

**Park 4WD, Villa:**

- Washer (5:D). Only for machines built up to and including 2006.
  - Cutting-means assembly mount (5:C)
  - Washer (5:B)
  - Circlip (5:A).
3. Remove the cotter pin or peg (4:A) and the washer (4:C) on both cutting-means assembly arms.
  4. For cutting-means assembly with manual cutting height adjustment only; set the cutting height to maximum. See 4.1.
  5. Bring the cutting-means assembly as close to the machine as possible.
  6. Fit the cutting-means assembly belt onto the machine pulleys as follows:
  7. Fit the cutting-means assembly belt onto the machine pulleys as follows:

**Park 2WD:**

- With your left hand take hold of the tensioner lever (12:A) and pull it outwards.
- With your right hand put the belt over the pulley (12:B).
- Pass the belt over the pulley (12:C) of the tensioner while gently releasing the tension and your grip.

**Park 4WD:**

- With your left hand take hold of the tensioner lever (11:A) and pull it outwards.
- With your right hand put the belt over the pulley (11:B).
- Pass the belt over the pulley (11:C) of the tensioner while gently releasing the tension and your grip.

**Villa:**

- Put the belt over the pulley (13:B).
  - Move the tensioner (13:A) towards the centre of the machine.
  - Pass the belt over the pulley (13:C) of the tensioner while gently releasing the tension and your grip.
8. Hook the cutting mean up to the tool lift device. See fig. 8.
  9. Secure the arms to the mounts. See fig. 10.
  10. Install the belt guard as follows:

**Park 2WD, 4WD:**

- Slacken and remove the screw (13:A).
- Insert the guard (13:B) under the machine and make the forks (13:C) lock onto the pins (13:D)
- Screw in and tighten the screw (13:A).

**Villa:**

- Slacken and remove the screw (18:B).
- Insert the guard (16:A) in from the left hand-side (facing the machine) as illustrated in fig.16.
- Make the forks (17:C) lock onto the pins (17:D).
- Complete positioning of the guard as illustrated in fig. 18.
- Screw in and tighten the screw (18:B).

11. Make basic cutting-means assembly adjustments. See 5.4.

12. If the cutting-means assembly have electrical cutting height adjustment, connect the cable to the socket (9:A).

**5.2.3 Hook-up with quick-release supports**

Example of quick-release supports, see fig. 10.



For the following operations, see the relative instructions provided in the machine's manual and on the support's manual.

**Follow the indications provided in heading 3.4**

1. Check that the quick-release supports are installed on the machine and the cutting-means assembly arms.
2. Place the cutting-means assembly in front of the machine.
3. Slightly lift the cutting-means assembly to ease the load on the cotter pin or peg (4:A).
4. Remove the cotter pin or peg (4:A) and the washer (4:C) on both cutting-means assembly arms.
5. For cutting-means assembly with manual cutting height adjustment only; set the cutting height to maximum. See 4.1.
6. Turn the quick-release supports to the open position (19:A)
7. Lift and rest the lower part (19:B) of the support peg hook-up bracket (19:C) on both sides and bring the cutting device up as close to the machine as possible.
8. Fit the cutting-means assembly belt onto the machine pulleys as follows:

**Park 2WD:**

- With your left hand take hold of the tensioner lever (12:A) and pull it outwards.
- With your right hand put the belt over the pulley (12:B).
- Pass the belt over the pulley (12:C) of the tensioner while gently releasing the tension and your grip.

**Park 4WD:**

- With your left hand take hold of the tensioner lever (11:A) and pull it outwards.
  - With your right hand put the belt over the pulley (11:B).
  - Pass the belt over the pulley (11:C) of the tensioner while gently releasing the tension and your grip.
9. Hook the cutting-means assembly up to the tool lift device. See fig. 10.
  10. Install the belt guard as follows:
    - Slacken and remove the screw (15:A).
    - Insert the guard (15:B) under the machine and make the forks (15:C) lock onto the pins (15:D)
    - Screw in and tighten the screw (15:A).
  11. Make basic cutting-means assembly adjustments. See 5.4.
  12. Couple the hook-up bracket (20:A) to the pin (20:B) on both sides.
  13. With your foot, turn the quick-release supports to the closure position (20:C) and insert the peg or cotter pin (20:D). See also the instructions provided separately.
  14. Make basic cutting-means assembly adjustments. See 5.4.
  15. If the cutting-means assembly have electrical cutting height adjustment, connect the cable to the socket (9:A).

**5.3 TYRE PRESSURE**

Adjust the tyre pressures according to the values indicated in the “Technical Data” table provided for the machine to which the accessory is hooked up.

**5.4 BASIC ADJUSTMENT**

Correct basic adjustment is needed to guarantee optimum cutting-means assembly performance. Basic cutting-means assembly adjustment involves setting the rear edge 5 mm higher than the front edge. This means that the cutting-means assembly is tilted forward.

Carry out basic adjustment by lifting and securing the cutting-means assembly as follows:

For machines equipped with 17" wheels: position the pegs or cotter pins (4:A) in the highest hole on the pin (4:B).

For machines equipped with 16" wheels: position the pegs or cotter pins (4:A) in the central hole on the pin (4:B).

To adjust, proceed as follows:

1. Slightly lift the cutting-means assembly to ease the load on the cotter pin or peg (4:A).
2. Remove the cotter pin or peg (4:A) and insert it in one of the other holes. Perform this adjustment on both cutting-means assembly arms.

---

**6 HANDLING THE CUTTING-MEANS ASSEMBLY**

---

To move or handle the cutting-means assembly, make it run on its 4 wheels (26:A).



**Carry out this operation after wearing safety protection gloves.**

**The cutting deck assy features sharpened edges. To avoid dangerous cuts, pay attention to where you put your hands**

---

**7 USING THE ACCESSORY**

---



**Make sure the grass to be cut is completely free of foreign objects such as stones etc.**

**7.1 CUTTING HEIGHT**

For best results, cut off the top third of the grass. See fig. 22.

If the grass is long and needs cutting back significantly, cut twice using two different cutting heights. Do not use the lowest cutting heights if the lawn surface is uneven.

This would entail a risk of the cutting devices being damaged against the surface and the lawn's top layer of soil being removed.

**7.2 TILT**

The cutting deck assy's rear section can be lifted so that the deck has a greater forward tilt than is provided by the basic setting.

Tilt effects cutting results as follows.

### 7.2.1 Basic adjustment

When the cutting-means assembly is in the basic setting, the best mulching effect and good dispersion of the cut grass are achieved.

The basic setting is recommended for grass of a normal length. See 5.4.

### 7.2.2 Greater tilt

If the cutting-means assembly is tilted forward, the mulching effect is reduced, improving the dispersion of cut grass.

It is advisable to tilt the cutting-means assembly forward when tackling thick grass.

### 7.3 MOWING TIPS

To get the best mowing results, follow the tips given below.

- Cut grass frequently.
- Run the machine at full revs.
- Grass should not be wet.
- Only use sharp cutting devices.
- Keep the bottom side of the cutting device clean.

### 7.4 COMPOSTING / REAR DISCHARGE

Grass can be cut in two ways.

- Composting the grass on the lawn.
- Expulsion of grass from the back of the cutting mean.
- text

When the machine is delivered the cutting-means assembly is set for composting.

Expulsion of grass from the back of the cutting-means assembly.

- Slacken and remove the screw (23:A) which secures the deflector in place (23:B).
- Remove the deflector (23:B).

Keep the screw and the deflector in a safe place for future use.

## 8 MAINTENANCE

### 8.1 PREPARATION



**All service and all maintenance checks must be carried out on a stationary machine with the engine switched off.**



**Always apply the parking brake to stop the machine from moving. (please refer to the machine's manual)**



**Turn off the engine. (please refer to the machine's manual).**



**Prevent inadvertent start-up of the engine.**

**For petrol powered machines; disconnect the spark plug leads.**

**For diesel powered machines; disconnect the (negative) lead from the battery.**

**Remove the key from the ignition. (please refer to the machine's manual).**



**Wear protective gloves.**

### 8.2 WASHING POSITION

1. Set the tool lift in the transport position.
2. Set the maximum cutting height.



**Follow the indications provided in heading 3.7.**

1. Remove the rear section of the cutting deck assy as follows:
  - Slightly lift the cutting-means assembly to ease the load on the cotter pin or peg (4:A).
  - Remove the cotter pin or peg (4:A) and the washer (4:C) on both cutting-means assembly arms.



**It is strictly forbidden to start the engine when the deck is in the washing position.**

2. Take hold of the front cutting-means assembly edge (24:A) and lift. Hook-up the chain (24:B) so that the cutting-means assembly is pointing upwards diagonally.
3. Clean the cutting-means assembly.
4. Once the washing operation has been completed, reposition the cutting-means assembly in its initial position and replace the washer and cotter pin or peg on both sides.

### 8.3 MAINTENANCE POSITION

#### 8.3.1 Machine with fixed mounts.

Example of fixed mounts, see (5:C and 6:A).

1. Remove the belt guard as follows:

#### **Park 2WD, 4WD / Castelgarden:**

- Slacken and remove the screw (15:A).

- Lift and remove the guard (15:B)

**Villa**

- Slacken and remove the screw (18:B).
- Lift and remove the guard (18:A)



**Follow the indications provided in heading 3.7.**

2. If the cutting-means assembly has electric cutting height adjustment, disconnect the cable from the machine. See fig. (9:A)
3. Remove the rear section of the cutting-means assembly from the right and left as follows:
  - Slightly lift the cutting-means assembly to ease the load on the cotter pin or peg (4:A).
  - Remove the cotter pin or peg (4:A) and the washer (4:C) on both cutting-means assembly arms.
4. Slacken the belt as follows:

**Park 2WD:**

- With your left hand take hold of the tensioner lever (12:A) and pull it outwards.
- With your right hand remove the belt from the pulley (12:B).

**Park 4WD:**

- With your left hand take hold of the tensioner lever (11:A) and pull it outwards.
- With your right hand remove the belt from the pulley (11:B).

5. Remove the belt from the pulley (11:B, 12:B) on the machine.
6. Lift the cutting-means assembly from the front side and continue to lift until the cutting-means assembly is completely vertical. Rest the rear end on the ground. See fig. 19.

**Villa:**

- Remove the belt from the tensioner pulley (13:C).
- Remove the belt from the pulley (13:B).
- Lift the cutting-means assembly from the front side until it is completely vertical and rest the back end on the ground. See fig. 25.

7. Once cleaning/maintenance operations have been completed, lower the cutting-means assembly to the ground following the above instructions in reverse.
8. Restore the cutting-means assembly to its original position as specified in heading 5.2.2 from point 8 onwards.

**8.3.2 Machines with quick-release supports**

Example of quick-release supports, see fig. 10.

1. Apply the parking brake.
2. Set the maximum cutting height.



**Follow the indications provided in heading 3.7.**

3. Remove the belt guard as follows:
  - Slacken and remove the screw (15:A).
  - Lift and remove the guard (15:B)
4. If the cutting-means assembly has electric cutting height adjustment, disconnect the cable from the machine. See fig. 9.
5. Remove the rear section of the cutting-means assembly from the right and left as follows:
  - Slightly lift the cutting-means assembly to ease the load on the cotter pin or peg (4:A).
  - Remove the cotter pin or peg (4:A) and the washer (4:C) on both cutting-means assembly arms.

6. Slacken the belt as follows:

**Park 2WD:**

- Take hold of the belt tensioner lever (12:A) with your left hand.
- Pull the lever and remove the belt from the tensioner (12:C) with your right hand.

**Park 4WD:**

- Take hold of the belt tensioner lever (11:A) with your left hand.
- Pull the lever and remove the belt from the tensioner (11:C) with your right hand.

7. Open the quick-release supports by turning them to the rear position.



**See also the instructions provided with the machine and the quick-release support.**

8. Remove the belt as follows:

**Park 2WD:**

- Remove the belt from the pulley (12:B).

**Park 4WD:**

- Remove the belt from the pulley (11:B).

9. Extract the belt from the machine pulley.
10. Close the quick-release supports by turning them back to their front position.



**See also the instructions provided with the machine and the quick-release support.**



**The cutting-means assembly must never be lifted with the quick-release supports open. Failure to observe this recommendation constitutes a crushing hazard.**

11. Take hold of the front cutting-means assembly edge and lift. Continue lifting until the cutting-means assembly is completely vertical and rest the back end on the ground. See fig. 25.
12. Restore the cutting-means assembly to its original position as specified in heading 5.2.3 from point 9 onwards.

#### 8.4 CLEANING



**Always clean the bottom part of the cutting-means assembly after use.**



**Take care over the sharp blades. Wear protective gloves.**

Set the cutting-means assembly to the washing position.

Clean the bottom of the cutting-means assembly with great care using only water and a brush.

If during use any of the paintwork has got scratched or come off, touch up when the surfaces are completely clean and dry.

Use non-perishable yellow paint for outdoor applications which is suitable for metal.

#### 8.5 CUTTING MEANS (21:A)

##### 8.5.1 Introduction

The cutting-means assembly is fitted with a number of safety devices which reduce the risk of damaging the cutting-means assembly and the drive system should the same hit an obstacle while in motion.

These devices are:

- Shear bolts (14:C) which secure the cutting means (14:A) to the cutting means holder bar (14:B),
- Torque limiter for cutting-means assembly drive shaft transmission.
- possibility for positive drive belt slipping over the plastic gearwheels.

##### 8.5.2 Cutting means replacement



**Wear protective gloves.**

Check that the cutting-means assembly is always perfectly sharpened.

This is essential for obtaining optimum results.



**Replace the cutting means once per year**



**Always check the cutting means after an impact, replace them if damaged.**



**To sharpen cutting-means assembly contact an authorized technical assistance service.**



**Damaged cutting-means assembly must always be replaced.**



**When replacing cutting means, always replace both cutting means on the same holder bar to avoid loss of correct balance.**



**Use genuine spare parts only.**

**Non-genuine spare parts, even those which can be installed on the machine, may cause injury or damage the machine.**

Re-assemble the cutting means as follows:

- Install the cutting means (14:A) on the cutting means holder bar (14:B) using the relative screws (14: C and D).
  - Install the cutting means hold bar on its support (14:E).
  - The cutting-means assembly can be turned 1/3 of a turn on their supports. Synchronize the cutting-means assembly so that they are at a 90° angle to one another. See heading 7.5.3
- Cutting means fixing screws tightening torque:

- Screw (14:F): 45 Nm
- Screws (14:D): 45 Nm
- Shear bolts (14:C) 9.8 Nm

In the event of collision, the shear bolts (14:C) may snap.

If this occurs, install new, genuine shear bolts and tighten to the torque indicated.

##### 8.5.3 Cutting means synchronization

The cutting-means assembly are correctly synchronized when their axes are set at a 90° angle to one another. See Fig. 21

Synchronization may be lost if the cutting means hit an obstacle with the resulting risk of interference.



**Always check the cutting means after an impact, replace them if damaged.**



**If synchronization problems arise, contact an authorized Stiga servicing centre to get the relative repairs carried out.**

---

## 9 SPARE PARTS

---

Genuine spare parts and attachments have been designed specifically for machines.

Non-original parts and attachments are not approved.



**Use genuine spare parts only.**

**Non-genuine spare parts, even those which can be installed on the machine, may cause injury or damage the machine.**



**The manufacturer shall decline all liability in the event of injuries or damages caused by non-genuine spare parts or accessories.**

---

## 10 TERMS OF PURCHASE

---

The warranty covers all material and manufacturing defects.

The user must follow all the instructions provided in the accompanying documentation.

The warranty does not cover damages caused by:

- failure to become familiar with the documentation accompanying the machine,
- carelessness,
- incorrect or prohibited use or assembly,
- use of non-genuine spare parts,
- use of accessories not supplied or approved.

The warranty does not cover:

- normal wear and tear of consumables, such as drive belts, headlights, wheels, bolts and wires.
- normal wear and tear.

The purchaser is protected by his own national legislation. The purchaser's rights envisaged by the national laws in his own country are not in any way restricted by this warranty.





**DICHIARAZIONE CE DI CONFORMITÀ** (Istruzioni Originali)  
(Direttiva Macchine 2006/42/CE, Allegato II, parte A)

1. **La Società:** STIGA SpA – Via del Lavoro, 6 – 31033 Castelfranco Veneto (TV) – Italy
2. Dichiaro sotto la propria responsabilità, che la macchina: Assieme Dispositivo di taglio  
(accessorio intercambiabile) / taglio erba

a) Tipo / Modello Base

b) Mese/Anno di costruzione

c) Matricola

85C, 85C E, 85C QF, 95CV, 95CV E, 95CP, 95CP E, 95C E QF,  
100C E, 105C E, 110C E, 125C E, 125C H, 135C H, 155C H

d) Motore

/

3. È conforme alle specifiche delle direttive:

• MD: 2006/42/EC

e) Ente Certificatore:

f) Esame CE del tipo:

/

/

4. Riferimento alle Norme armonizzate:

EN ISO 5395-1:2013

EN ISO 5395-3:2013/A1:2017

m) Persona autorizzata a costituire il Fascicolo Tecnico:

STIGA SpA  
Via del Lavoro, 6  
31033 Castelfranco Veneto (TV) - Italia

n) Castelfranco V.to, 19.06.2017



Vice Presidente Quality & Customer Service  
Ing. Raimondo Hippoliti





• Soggetto a modifiche senza preavviso • Подлежи на промени без предупреждение • Moguće su promjene bez najave • Možnost změn bez předešlého upozornění • Ret til ændringer forbeholdes • Kann ohne Vorankündigung geändert werden • Υπόκειται σε αλλαγές χωρίς προειδοποίηση • Subject to modifications without notice • Sujeto a modificaciones sin previo aviso • Võimalikud muudatused ilma ette teatamata • Voidaan tehdä muutoksia ilman ennakkoilmoitusta • Sujet à des modifications sans aucun préavis • Podložno promjenama bez prethodne obavijesti • Előzetes értesítés nélkül módosítható • Objekto pakeitimai be perspėjimo • Var tikt mainīts bez iepriekšēja brīdinājuma • Подлежи на промени без претходно известување • Kan zonder kennisgeving wijzigingen ondergaan • Kan endres uten forvarsel • Poddawany modyfikacjom bez awizowania • Sujeito a alterações sem aviso prévio • Poate fi modificat, fără preaviz • Может быть изменено без преошления • Možnosť zmien bez predošlého upozornenia • Lahko pride do sprememb brez predhodnega obvestila • Podložno izmenama bez upozorenja • Kan utsättas för modifieringar utan att detta meddelas • Önceden haber verilmeksizin deęiştirilebilir



.....	
Type: .....	 LWA ..... dB
..... -s/n ..... -Art.N .....	
	

**STIGA SpA**  
Via del Lavoro, 6  
31033 Castelfranco Veneto (TV) ITALY