

# STIGA®

SWP 475  
SWP 577

IT SPAZZATRICE  
CS ZAMETAČ  
DA FEJEMASKINE  
DE KEHRMASCHINE  
EN SWEEPER  
ES BARREDORA  
FI LAKAISUKONE  
FR BALAYEUSE  
NL RUIMER  
NO FEIEMASKIN  
PL ZAMIATARKA  
PT VARREDORA  
RU ПОДМЕТАЛЬНАЯ МАШИНА  
SV SÖPMASKIN  
TR FIRÇALAMA MAKİNESİ

MANUALE DI ISTRUZIONI  
NÁVOD K POUŽITÍ  
BRUGSANVISNING  
GEBRAUCHSANWEISUNG  
OPERATOR'S MANUAL  
MANUAL DE INSTRUCCIONES  
KÄYTTÖOHJEET  
MANUEL D'UTILISATION  
GEBRUIKERSHANDLEIDING  
INSTRUKSJONSBOK  
INSTRUKCJE OBSŁUGI  
MANUAL DE INSTRUÇÕES  
РУКОВОДСТВО ПО ЭКСПЛУАТАЦИИ  
BRUGSANVISNING  
KULLANIM KILAVUZU

IT	Traduzione delle istruzioni originali .....	3
CS	Překlad původního návodu k používání .....	17
DA	Oversættelse af den originale brugsanvisning .....	31
DE	Original Bedienungsanleitung .....	45
EN	Translation of the original instruction .....	59
ES	Traducción del Manual Original .....	73
FI	Alkuperäisten ohjeiden käännös .....	87
FR	Traduction de la notice originale .....	101
NL	Vertaling van de oorspronkelijke gebruiksaanwijzing .....	115
NO	Oversettelse av den originale bruksanvisningen .....	129
PL	Tłumaczenie instrukcji oryginalnej .....	143
PT	Tradução do manual original .....	157
RU	Перевод оригинальных инструкций .....	171
SV	Översättning av bruksanvisning i original .....	185
TR	Orijinal Talimatların Tercümesi .....	199

## Table of Contents

1.	General.....	60
1.1	Conventions .....	60
1.2	Symbols and labels .....	60
1.3	Limitation of Liability.....	60
1.4	Warranty .....	60
1.5	Copyright.....	61
1.6	Target group.....	61
2.	Safety .....	61
2.1	Intended use.....	61
2.2	Improper use .....	61
2.3	Responsibility of the user.....	61
2.4	General safety instructions .....	62
2.5	Hazard notices on the device .....	62
2.6	Personal Safety Equipment .....	62
3.	Technical data .....	62
4.	Construction and Function .....	63
5.	Transport/transporting .....	64
5.1	Delivery.....	64
5.2	Scope of supply .....	64
5.3	Handling Packaging Materials.....	64
5.4	Storage .....	64
5.5	Carrying the device .....	65
5.6	Transporting the device in a vehicle.....	65
6.	Commissioning .....	66
6.1	Assemble handle fittings (SWP 475).....	66
6.2	Install sliding bracket.....	66
7.	Operation .....	67
7.1	Before starting work.....	67
7.2	Height adjustment of the plate brooms.....	67
7.3	Set hold-down device (SWP 577) .....	68
7.4	Operation.....	68
7.5	Empty sweeping container .....	68
8.	Troubleshooting .....	69
8.1	Fault table.....	69
9.	Maintenance and cleaning .....	70
9.1	Maintenance plan.....	70
9.2	Clean dust filter (SWP 577) .....	71
9.3	Remove blockage .....	71
9.4	Align bristles.....	71
9.5	Clean the device .....	71
10.	Decommissioning .....	72
10.1	Disassemble sliding bracket .....	72
10.2	Disposal.....	72

## 1. General

This operating manual is a part of the device Sweeping Machine SWP 475 and SWP 577 and is valid only for the named devices.

This operating manual provides important information for the safe and efficient use of the machine.

A requirement for safe operation of the machine is the adherence to all of the safety and operation instructions provided.

- Read the operating manual carefully before using the device.
- Read the safety instructions!
- Keep the operating manual safe and accessible during the lifespan of the device.
- Pass the operating manual onto any subsequent owner or user of the device.

### 1.1 Conventions

To be able to work optimally with the operating manual, please note the following explanations of the typographical conventions.

#### Numbering

- The texts shown are first level numbering points.

#### Work sequence

1. Step 1 of the work sequence
2. Step 2 of the work sequence
3. Step 3 of the work sequence

The sequence of the work steps must be observed.

#### Tip

- » Tips and notes (not machine damage) are shown like this.

## 1.2 Symbols and labels

All warnings and safety instructions must be complied with! When working, always act with caution to prevent accidents, personal injury and damage to property!

### Safety instructions



#### SIGNAL WORD

##### Type and source of hazard

Possible consequences

- Measures for avoiding danger

### Risk level

Risk level	Probability of occurrence	Consequences in the event of noncompliance
<b>DANGER</b>	Direct	Death, serious injury
<b>WARNING</b>	Possible	Death, serious injury
<b>CAUTION</b>	Possible	Slight injury
<b>NOTE</b>	Possible	material damage

## 1.3 Limitation of Liability

The manufacturer does not accept any liability for damage and consequential damage caused by the following points:

- Failure to observe the operating instructions
- Use of nonapproved replacement parts / wrong spare parts / spare parts that do not correspond to the manufacturer's specification
- Unauthorized changes, additions to and modifications to the device

## 1.4 Warranty

The provisions that are described in the general terms and conditions of the manufacturer apply.

### 1.5 Copyright

The operating manual is copyright protected for the manufacturer.

The operating manual includes instructions and diagrams or diagram sections of a technical nature, which may not be reproduced in the entirety or in part, distributed or used for competition purposes or otherwise communicated.

The manufacturer reserves all rights for the provision of permission for use for publication or distribution of copies or information from this operating manual to third parties.

In case of infringement the manufacture is entitled to make a claim for damages. Further claims are reserved.

### 1.6 Target group

This operating manual is intended for the use of this sweeping machine.

## 2. Safety

To avoid incorrect functioning, damage and health impairments, please observe the following instructions!

### 2.1 Intended use

The SWP 475 / 577 sweeping machines are only for removal of road pollution such as foliage, grass, split, sand and similar impurities on flat and hard surfaces.

### 2.2 Improper use

Any use other than that described in the section "Intended use" is not in compliance with the intended purpose. The operator of the device alone is liable for any resulting damage.

The sweeping machine may not be used for sweeping hazardous, flammable or glowing substances (cigarettes and matches) liquids, explosive or hazardous dusts (ex), acids or solvents.

The sweeping machine may also not be used for sweeping water.

The sweeping machine may not be used in areas where there is a risk of explosion or as a means of transport.

### 2.3 Responsibility of the user

A user is any individual or legal entity, who uses the machine or has it used by third parties and is responsible during its use for the safety of the user or third parties.

- Supervise children who are in the working environment, to ensure that they do not play with it.
- Minors may not work with the device. Young people over the age of 16 years who are being trained under supervision are excluded.
- Persons, whose reaction times are influenced by, e.g. drugs, alcohol or medications, may not carry out any work with the device.
- Persons who are not allowed to do strenuous work due to their health status may not work with the sweeping machine.
- Replace any signs that have become illegible on the sweeping machine.

**2.4 General safety instructions**

- Keep the packaging material out of reach of children. There is a risk of suffocation!
- Do not wear long hair, ties, loose clothing or jewellery including rings.
- When handling the sweeping machine please note that there is a risk of injury from hanging or being pulled in.

**2.5 Hazard notices on the device**

The following pictograms are affixed to the sweeping machine:



**CAUTION**

When working on the machine, the safety instructions described in the operating manual must be observed.



**Operating instructions**

Read the operating manual carefully before using the device.

**2.6 Personal Safety Equipment**

Personal safety equipment must be worn when working to minimise health hazards. For that reason:

- Before starting all work put on each item of specified safety equipment properly and wear it during work.



**Sturdy footwear**

Wear sturdy footwear with well-gripping, non-slip soles.



**Protective gloves**

Wear protective gloves.



**Dust protection mask**

Wear a dust protection mask.

**3. Technical data**

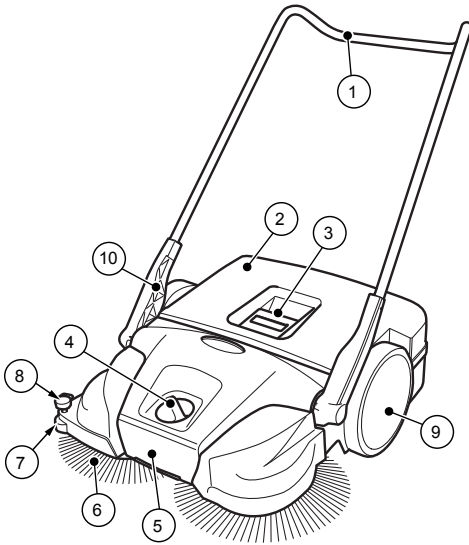
**Basic information for the SWP475 Sweeping Machine**

Technical data	Value
Height in millimetres [mm]	1200
Width in millimetres [mm]	770
Length in millimetres [mm]	800
Sweeping width in millimetres [mm]	750
Sweeping capacity in square metres per hour [m <sup>2</sup> /h]	2900
Capacity of the sweeping container in litres [l]	50
Weight kilogrammes [kg]	11

**Basic information for the SWP 577 Sweeping Machine**

Technical data	Value
Height in millimetres [mm]	1200
Width in millimetres [mm]	770
Length in millimetres [mm]	800
Sweeping width in millimetres [mm]	770
Sweeping capacity in square metres per hour [m <sup>2</sup> /h]	3000
Capacity of the sweeping container in litres [l]	50
Weight kilogrammes [kg]	15

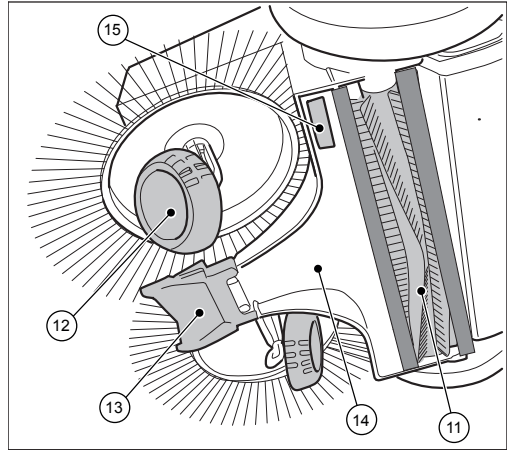
### 4. Construction and Function



**Fig. 1: Component overview 1**

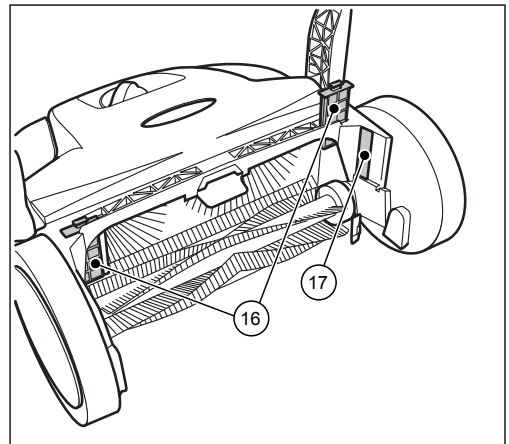
Item no.	Component
1	Sliding bracket
2	Sweeping container
3	Container handle
4	Plate brooms – height adjustment
5	Carrying handle
6	Plate brooms
7	Lateral guide roller
8	Hold-down device (SWP 577)
9	Impeller
10	Handle fitting

The device is moved forward by pushing, via the sliding bracket (1). At the same time the 2 plate brooms (6) convey the sweepings in the direction of the sweeping container (2) with the aid of the sweeper lip (13). The fine dirt sweeping roll (11) conveys the rest of the sweepings into the sweeping container (2).



**Fig. 2: Component overview 2**

Item no.	Component
11	Fine sweeping roll
12	Helical gear
13	Sweeper lip
14	Sweeping plate
15	Name plate (SWP 475)



**Fig. 3: Component overview 3**

Item no.	Component
16	Dust filter (SWP 577)
17	Name plate (SWP 577)

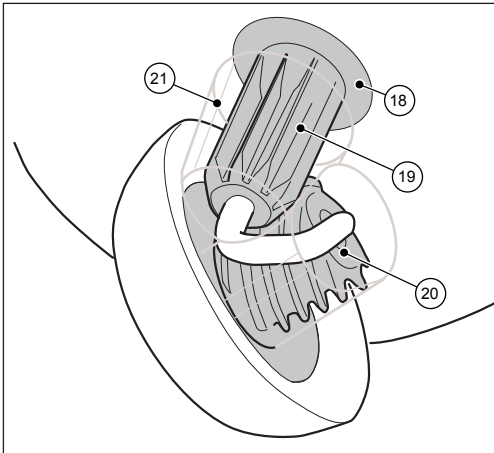


Fig. 4: Component view 4

Item no.	Component
18	Clutch housing
19	Toothed sleeve
20	Helical gear toothing
21	Gearbox protection (SWP 577)

## 5. Transport/transporting

### 5.1 Delivery

#### NOTE

Visible damage on the outer packing must be immediately confirmed on delivery by the parcel service driver. If transport damage is only noticed during unpacking, the parcel service must be notified in writing within 24 hours after delivery so that it can be liable for the damage.

### 5.2 Scope of supply

- Device
- Sliding bracket
- Two handle fittings (SWP 475)
- Operating instructions

### 5.3 Handling Packaging Materials

- Always dispose of packing in an environmentally responsible manner.
- Observe the local and regional legal provisions in force.

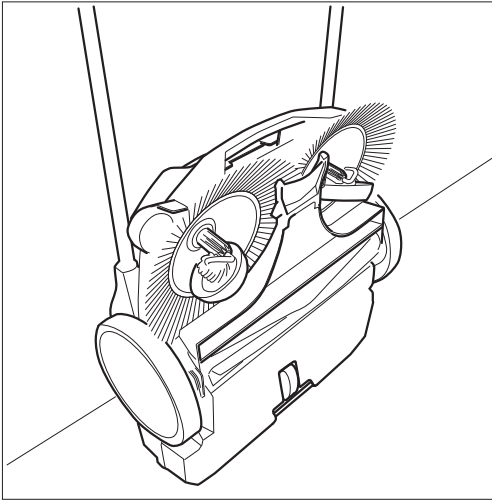
### 5.4 Storage

#### NOTE

Improper storage, e.g. storage of the device in a humid environment, can lead to damage to the sweeper.

- Store the sweeping machine only in cleaned condition and with an emptied sweeping container.
- » Information on emptying the sweeping container can be found in Section 7.5 and information on cleaning can be found in Section 9.5 of this operating manual.





**Fig. 5: Storage position**

- Place the device in such a way that the bristles cannot be kinked or bent.
- Secure the device including sliding brackets against tipping over, slipping and thus against damage.
- Do not store the device outdoors or in damp environments.

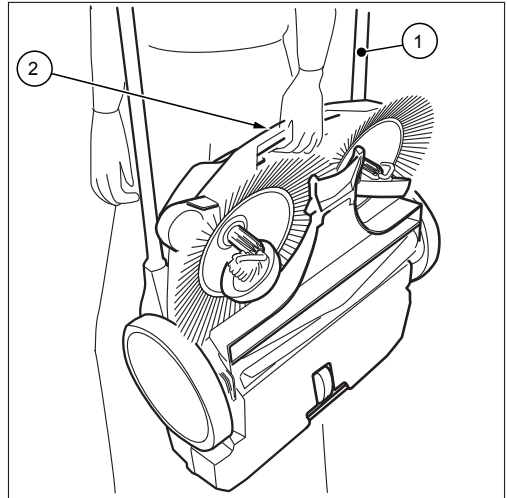
### 5.5 Carrying the device

#### CAUTION

##### **Risk of injury through tipping over of the sliding bracket!**

Tipping over of the sliding bracket may lead to slight injuries, such as jamming of the finger or haematomas in users or other persons.

- When carrying the device, hold it so that the sliding bracket cannot tip over.



**Fig. 6: Carrying the device**

1. Swing the sliding bracket (1) flat towards the front.
2. Grasp the device on the carrying handle (2).
3. Carry the device in such a manner that the plate brooms face away from the body.

### 5.6 Transporting the device in a vehicle

#### CAUTION

##### **Risk of injury through improper transport of the sweeping machine!**

Wandering, skidding or tipping of the device can result in injury to the driver or other persons.

- Secure the device with a strap to prevent it from slipping and moving around.

1. Place the device in a suitable location in the vehicle.
2. Secure the device with a strap.

#### **NOTE**

Improper transport can result in damage to the sweeping machine.

## 6. Commissioning

### 6.1 Assemble handle fittings (SWP 475)

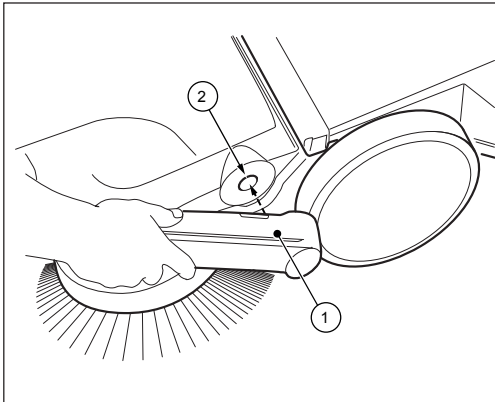


Fig. 7: Handle fitting assembly (SWP 475)

Two handle fittings (1) and the sliding bracket are included as individual parts in the delivery.

1. Position the handle fittings (1) as shown in Figure 7.
  2. Insert the handle fittings in this position into the intended receptacle (2) of the sweeper. It may be necessary to slightly hit the handle fittings in this step.
- » Make sure that the handle fittings audibly click into the device.

### 6.2 Install sliding bracket

#### CAUTION

##### Risk of injury through tipping over of the sliding bracket!

Tipping over of the sliding bracket may lead to slight injuries, such as jamming of the finger or haematomas in users or other persons.

- When carrying the device, hold it so that the sliding bracket cannot tip over.

#### Sliding bracket for SWP 577

The sliding bracket can be adjusted to the height of the user in two levels (A) and (B).

- » (A): Lower level
- » (B): Upper level

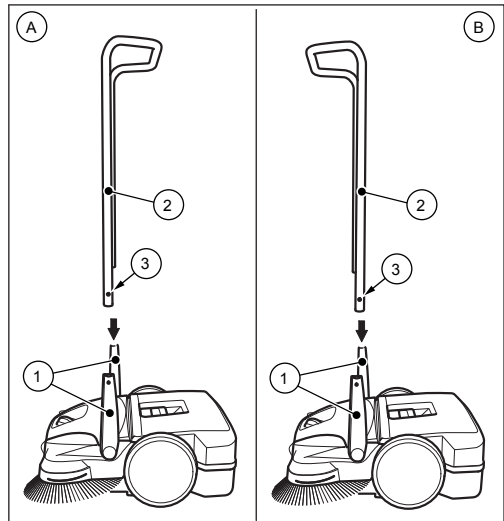


Fig. 8: Sliding bracket assembly

1. Turn the handles (1) into the vertical position.
  2. Press the locking springs (3) inwards on both sides of the sliding bracket.
  3. Push the sliding bracket (2) into both handle fittings simultaneously.
- » To do so, the SWP 577 sliding bracket must be bent apart by about 10 cm before insertion in the handle fittings.
4. Push the sliding bracket (2) into the handle fittings until the locking springs lock in.

## 7. Operation



### WARNING

#### Risk of cutting due to broken glass, metal or other sharp edged materials!

When emptying the sweeping container, cutting injuries may occur due to broken glass, metal or other sharp edged materials.

- Wear the prescribed personal protective equipment!



### CAUTION

#### Health impairments caused by dust resulting from sweeping!

The inhalation of dusts can endanger the health.

- Wear the prescribed personal protective equipment!

### 7.1 Before starting work

- Check the device to make sure that it is functioning before starting work.
- Check the sliding bracket to make sure that it is firmly fixed in the handle fittings.
- Check the sweeping container to make sure it is firmly fixed and in good condition.
- Check the plate brooms and the fine dust sweeping roller for rolled up threads and cords. Remove these if necessary.
- Check the plate brooms and the fine dust sweeping roller for jammed items or contamination.
- Check the handle for contamination and clean it if necessary.

### 7.2 Height adjustment of the plate brooms

The height of the brooms is adjusted with a dial in the middle of the front part. The height adjustment sets the plate brooms to the surface to be swept. The levels are based on empirical values and must therefore be considered as the levels are based on empirical values and must therefore be regarded as reference values. As a result, during sweeping, adaptations of the levels may need to be made depending on the surface.

- Level 1-2: for all level, hard surfaces  
(e.g. asphalt, concrete, slabs...)
- Level 3-4: for damp leaves, sand, and uneven surfaces (e.g. washed concrete slabs)
- Level 5-7: for heavy soiling and severely uneven surfaces
- Level 8: for service settings, not suitable for sweeping

### NOTE

Do not press the plate brooms too firmly on the ground. A too high pressure does not achieve a better cleaning result, but rather leads to an increase in the pushing resistance and the wear of the device.

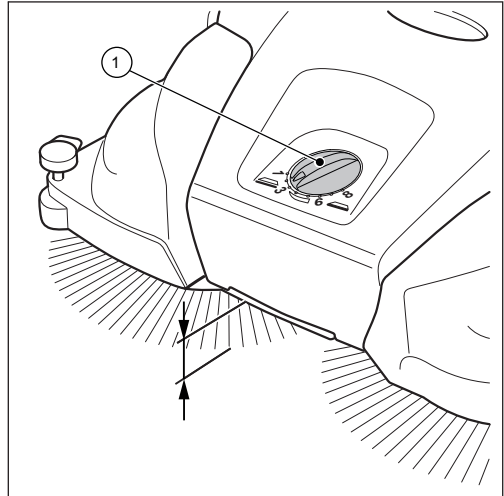


Fig. 9: Height adjustment of the plate brooms

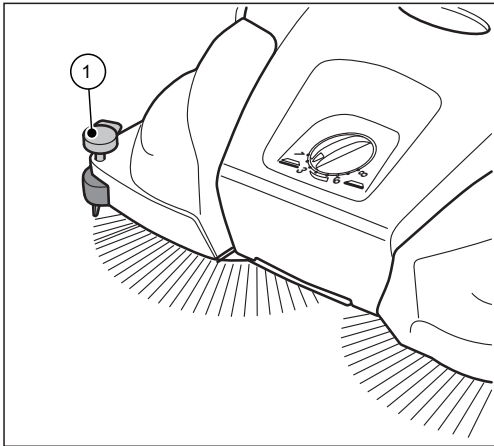
- Set the required level:
- Turn the dial (1) to the left to lower the level.
- Turn the dial (1) to the right to increase the level.
- » Lift the machine slightly by the handle. This will make it easier to adjust the height.

**7.3 Set hold-down device (SWP 577)**

With the hold-down device, the right plate broom is adjusted to the edge regions to be swept, for example on walls or curbs.

**NOTE**

An unsuitable setting of the hold-down device at lower edges can lead to excessive wear. The hold-down device must not scratch on the ground.



**Fig. 10: Hold-down device setting**  
Sweeping out edges and corners

- Press down the handle of the hold-down device.

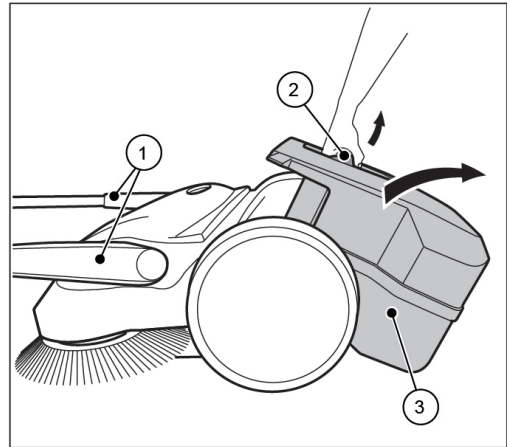
**Operation on surfaces**

- Pull up the handle of the hold-down device.

**7.4 Operation**

- Operate the device via the sliding bracket with both hands.
- Push the device forward at normal walking speed.
- Remove the sweeping container as needed, see section "Empty sweeping container" in Section 7.5 of this operating manual.

**7.5 Empty sweeping container**



**Fig. 11: Empty the sweeping container**

- Empty the sweeping container after each use.
  - Empty the sweeping container at regular intervals to achieve a proper sweeping result.
1. Bring the sliding bracket (1) into the horizontal position.
  2. Pull the sweeping container (3) upwards by the container handle (2).
  3. Empty the sweeping container (3) completely.
    - » Make sure that the enclosure sides are free of dirt.
  4. Insert the empty sweeping container (3) on the device.
  5. Press the container handle (2) back into the starting position.
    - » The sweeping container (3) must audibly lock into position.
  6. Bring the sliding bracket (1) back into the operating position.

## 8. Troubleshooting



### WARNING

#### Risk of cutting due to broken glass, metal or other sharp edged materials!

When emptying the sweeping container, cutting injuries may occur due to broken glass, metal or other sharp edged materials.

- Wear the prescribed personal protective equipment!



### CAUTION

#### Health impairments caused by dust resulting from sweeping!

The inhalation of dusts can endanger the health.

- Wear the prescribed personal protective equipment!



### CAUTION

#### Risk of injury through tipping over of the sliding bracket!

Tipping over of the sliding bracket may lead to slight injuries, such as jamming of the finger or haematomas in users or other persons.

- When carrying the device, hold it so that the sliding bracket cannot tip over.

Faults may occur even if the prescribed maintenance work and checks of the device before use are complied with. Possible faults are listed in the table below, with specification of the cause and remedy.

## 8.1 Fault table

Fault	Cause	Remedy
Device is running with difficulty or roughly	Device is contaminated	Clean device, see Section 9.5
	Broom blocked	Remove blockage see Section 9.3 "Remove blockage"
	Contaminated broom drives	Clean broom drives, see Section 9.5 "Clean device"
	Height adjustment is set too low, contact pressure of the plate brooms too high	Set height adjustment, see Section 7.2 in the section "Adjust height of plate brooms"
	Plate brooms do not rotate	Contact Service
Bristles are bent	Improper storage	Align the bristles, see Chapter 9.4 in the section "Align bristles"
Sweeping result is insufficient	Sweeping lip is missing, loose or worn	Replace sweeping lip

9. Maintenance and cleaning

**⚠ WARNING**

**Risk of cutting due to broken glass, metal or other sharp edged materials!**

When emptying the sweeping container, cutting injuries may occur due to broken glass, metal or other sharp edged materials.

- Wear the prescribed personal protective equipment!

**⚠ CAUTION**

**Health impairments caused by dust resulting from sweeping!**

The inhalation of dusts can endanger the health.

- Wear the prescribed personal protective equipment!

**⚠ CAUTION**

**Risk of injury through tipping over of the sliding bracket!**

Tipping over of the sliding bracket may lead to slight injuries, such as jamming of the finger or haematomas in users or other persons.

- When carrying the device, hold it so that the sliding bracket cannot tip over.

**⚠ CAUTION**

**Hazard due to cleaning materials!**

The agents can contain harmful ingredients and can thereby cause irritation of the respiratory tract and the skin.

- Observe the manufacturer's safety data sheet.
- Avoid spillage and the formation of fog.
- Do not eat, drink or smoke while working.
- Avoid contact with skin and eyes.

In the following sections the maintenance and cleaning work required for optimal and fault-free operation is described.

The conduct of the specified work depends in some cases on time and/or load. For the maintenance interval information shown both in deadlines and service hours, the one that occurs first applies.

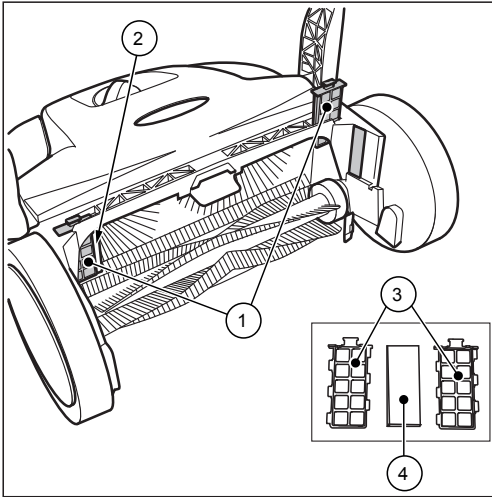
In case of questions on the maintenance work and intervals contact the manufacturer.

**9.1 Maintenance plan**

Maintenance interval	Maintenance work
Before starting work	Check the device to make sure that it is functioning before starting work. If necessary, contact the Service.
	Check the sliding bracket to make sure that it is firmly fixed in the handle fittings.
	Check the sweeping container to make sure it is firmly fixed and in good condition.
	Check the plate brooms and the fine dust sweeping roller for rolled up threads and cords. Remove these if necessary.
	Check the plate brooms and the fine dust sweeping roller for jammed items or contamination.
	Check the handles for contamination and clean if necessary.
	Check that the height adjustment is at the correct height.
After finishing work	Empty the sweeping container.
	Clean the device.
8 Bh	Clean broom drives.

## 9.2 Clean dust filter (SWP 577)

1. Remove the sweeping container from the sweeping machine, see section "Empty sweeping container" in Section 7.5 of this operating manual.



**Fig. 12: Dust filter removal**

2. Pull the dust filter (1) up from the guides (2).
3. Open the plastic housing (3) of the dust filter and remove the foam insert (4).
4. Pound out the foam insert (4) and clean it with water.
5. Place the dry foam insert back into the plastic housing.
6. Slide the dust filter back into the guides.
7. Insert the sweeping container into the sweeping machine.

## 9.3 Remove blockage

- Remove wound-up material (e.g. cords, threads, etc.) from the brooms and axes.
- Remove jammed material (e.g. stones, twigs, leaves etc.).

## 9.4 Align bristles

### WARNING

#### Fire hazard due to improper handling of a fan or the use of an unsuitable fan!

When aligning the bristles, there is a risk of fire if they are heated to too high temperatures.

- Do not use open flames or furnace to heat the bristles!
- Do not use a hot air blower. If the air is too hot, the bristles may melt.

Bent bristles can be straightened out again with heating by means of a warm air fan (e.g. hairdryer).

- Point the switched-on warm air fan towards the bent bristles.

» If the heating is sufficient, the bristles will straighten out again by themselves.

## 9.5 Clean the device

- Do not use a degreasing agent.
  - Do not use any aggressive cleaning agents.
  - Do not clean the device with a high-pressure cleaner or under running water. The device may not be immersed in water or cleaned with water.
  - Protect the bearings against moisture.
  - Do not clean the plate brooms and the fine dirt sweeping roll with compressed air.
- » The strong air jet can damage the bristles.
1. Clean the plate brooms, the fine dirt sweeping roll and the drives with a wet cloth.
  2. Clean all plastic parts with a damp cloth.

## 10. Decommissioning

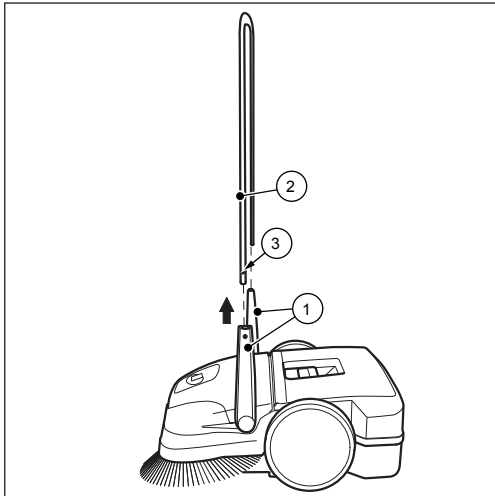
### 10.1 Disassemble sliding bracket

#### CAUTION

**Risk of injury through tipping over of the sliding bracket!**

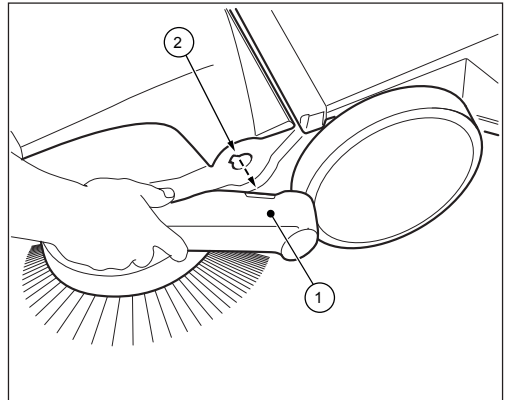
Tipping over of the sliding bracket may lead to slight injuries, such as jamming of the finger or haematomas in users or other persons.

- When carrying the device, hold it so that the sliding bracket cannot tip over.



**Fig. 13: Sliding bracket disassembly (SWP 475)**

1. Bring the sliding bracket (2) into the vertical position.
2. Press the lock springs (3) inwards on both sides, so that the sliding bracket (2) is released for removal.
3. Pull the sliding bracket (2) out of both handle fittings (1) simultaneously.



**Fig. 14: Sliding bracket disassembly (SWP 577)**

1. Bring the respective arrows on the housing to the bar of the handle fittings (1).
2. Position yourself between the sliding bracket in front of the device.
3. Grip both handle fittings (1) with your hands and carefully push them out.
4. At the same time pull out the handle fittings from both receptacles of the device.

### 10.2 Disposal

- Dispose of the device in an environmentally friendly manner in accordance with the applicable regional regulations.



**IT** • Il contenuto e le immagini del presente manuale d'uso sono stati realizzati per conto di STIGA SpA e sono tutelati da diritto d'autore – E' vietata ogni riproduzione o alterazione anche parziale non autorizzata del documento.

**CS** • Obsah a obrázky v tomto návodu k použití byly zpracovány jménem společnosti STIGA SpA a jsou chráněny autorským právem – Reprodukce či nepovolené pozměňování tohoto dokumentu, a to i částečné, je zakázáno.

**DA** • Indhold og illustrationer i denne vejledning er blevet skabt på vegne af STIGA SpA og er beskyttet af ophavsret – Enhver gengivelse eller ændring, også delvis, af dokumentet uden autorisation hertil er forbudt.

**DE** • Inhalt und Bilder dieser Bedienungsanleitung wurden im Namen von STIGA SpA erstellt und sind urheberrechtlich geschützt – Jede nicht genehmigte Vervielfältigung oder Veränderung, auch auszugsweise, dieses Dokuments ist verboten.

**EN** • The content and images in this User Manual were produced expressly for STIGA SpA and are protected by copyright – any unauthorised reproduction or modification to the document, either partially or in full, is prohibited.

**ES** • El contenido y las imágenes del presente manual de uso han sido creados por STIGA SpA y están protegidos por los derechos de autor – Se prohíbe toda reproducción o modificación, incluso parcial, no autorizada del documento.

**FI** • Tämän käyttöoppaan sisältö ja kuvat on valmistettu STIGA SpA -yhtiön toimesta ja niitä suojaa tekijänoikeuslaki. – Asiakirjan kaikenlainen kopiointi tai muuttaminen, osittainkin, on kielletty ilman erityistä lupaa.

**FR** • Le contenu et les images du présent manuel d'utilisation ont été réalisés pour le compte de STIGA SpA et sont protégés par un droit d'auteur - Toute reproduction ou modification non autorisée, même partielle, du document, est interdite.

**NL** • De inhoud en de afbeeldingen van deze gebruikshandleiding werden gerealiseerd voor rekening van STIGA SpA en zijn beschermd door het auteursrecht – Elke niet-geautoriseerde reproductie of wijziging, ook gedeeltelijke, van het document is verboden.

**NO** • Innholdet og bildene i denne brukerveiledningen er utført på oppdrag fra STIGA SpA og er beskyttet ved opphavsrett - Enhver gjengivelse eller endring, selv kun delvis, er forbudt.

**PL** • Treść oraz ilustracje zawarte w niniejszej instrukcji obsługi powstały na zlecenie spółki STIGA SpA i są chronione prawami autorskimi – Zabrania się wszelkiego kopiowania bądź modyfikowania, także częściowego, niniejszego dokumentu bez uzyskania stosownej zgody.

**PT** • As imagens e os conteúdos contidos no presente Manual do Utilizador foram expressamente criados para uso exclusivo da STIGA SpA, encontrando-se protegidos por direitos de autor. Qualquer tipo de reprodução ou alteração, parcial ou integral, não autorizadas deste Manual estão expressamente proibidas.

**RU** • Тесты и изображения, содержащиеся в настоящем руководстве, были созданы в интересах STIGA SpA и защищены авторскими правами – Любое несанкционированное воспроизведение или изменение документа запрещено.

**SV** • Innehållet och bilderna i denna användarhandbok har framställts för STIGA SpA och skyddas av upphovsrätt – all form av reproduktion eller ändring, även partiell, som inte auktoriserats är förbjuden.

**TR** • Bu Kullanıcı Kılavuzundaki içerik ve resimler açıkça STIGA SpA için üretilmiştir ve telif hakkı ile korunmaktadır – dokümanın izinsiz olarak tamamen ya da kısmen herhangi bir şekilde çoğaltılması ya da değiştirilmesi yasaktır.



.....		.....
.....		
.....		
.....		
Type: .....	Sweeper Hand Push	.....
..... -s/n ..... -Art.N .....		
.....		

Manufactured for  
**STIGA SpA**  
Via del Lavoro, 6  
31033 Castelfranco Veneto (TV) ITALY

Manufactured by  
Haaga Kehrsysteme GmbH  
Wielandstraße 24  
73230 Kirchheim unter Teck / Germany