

STIGA

G 300

G 600

G 1200

G 3600

EN Instruction manual



ENGLISH - TRANSLATION OF THE ORIGINAL INSTRUCTIONS

TABLE OF CONTENTS

1. MODELS AND TECHNICAL DATA	1
1.1. MODELS.....	1
1.2. TECHNICAL DATA	2
2. SAFETY	4
2.1. SAFETY INFORMATION	4
2.2. SAFETY INSTRUCTIONS	6
2.2.1. SAFE OPERATING PROCEDURES.....	6
2.2.2. OPERATION	6
2.3. STOPPING AND TURNING OFF THE ROBOT LAWN MOWER IN SAFE CONDITIONS.....	8
3. INTRODUCTION	9
3.1. GENERAL INTRODUCTION	9
3.1.1. PURPOSE OF THE MANUAL.....	9
3.1.2. INSTRUCTIONS FOR READING FROM SMARTPHONE	9
3.2. PRODUCT OVERVIEW.....	10
3.2.1. GENERAL DESCRIPTION	10
3.2.2. MAIN COMPONENTS	11
3.3. UNPACKING.....	12
3.4. SYMBOLS AND NAMEPLATES.....	13
3.5. GENERAL MANUAL READING INSTRUCTIONS.....	15
4. INSTALLATION	16
4.1. GENERAL INSTALLATION INFORMATION	16
4.2. INSTALLATION COMPONENTS.....	16
4.3. VERIFICATION OF THE INSTALLATION REQUIREMENTS.....	17
4.3.1. GARDEN VERIFICATION:.....	17
4.3.2. CHARGING BASE AND POWER SUPPLY INSTALLATION CHECKS.....	17
4.3.3. MAIN CHECKS WHEN INSTALLING THE PERIMETER CABLE:.....	19
4.4. CRITERIA FOR INSTALLING THE PERIMETER CABLE.....	21
4.4.1. PERIMETER CABLE PLACEMENT	21
4.4.2. DELIMITATION OF OBSTACLES	24
4.4.3. PASSAGES AMONG DIFFERENT AREAS OF THE GARDEN	25
4.5.1. INSTALLATION OF THE PERIMETER CABLE.....	26
4.5. COMPONENTS INSTALLATION	26
4.5.2. JUNCTION OF THE PERIMETER CABLE	28
4.5.3. INSTALLATION OF THE CHARGING BASE.....	29
4.5.4. RESISTOR INSTALLATION FOR SMALL PERIMETERS.....	31
4.6. CHARGING THE ROBOT LAWN MOWER AFTER INSTALLATION	32
4.7. PRODUCT SETTINGS.....	33
5. OPERATION	39
5.1. CHECK OF SAFETY DEVICES FOR STARTING THE ROBOT LAWN MOWER	39
5.2. MANUAL FUNCTIONING OF THE ROBOT LAWN MOWER.....	40
5.3. DESCRIPTION OF THE CONTROLS ON THE ROBOT LAWN MOWER	41
5.3.1. SAFE STOP - STOP BUTTON	41

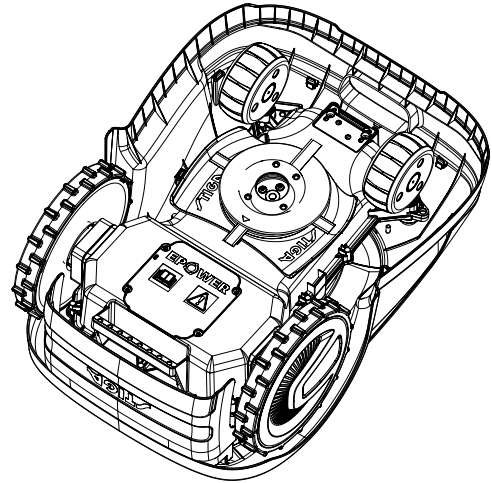
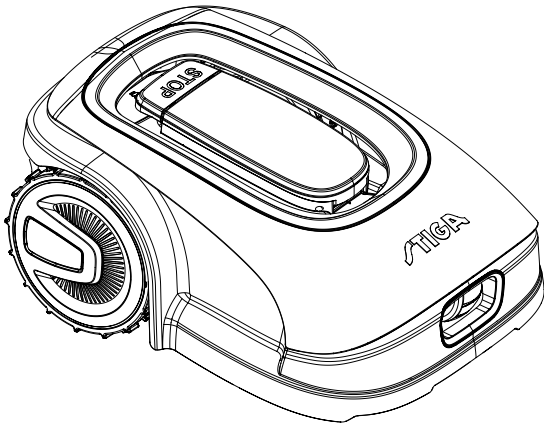
5.3.2.	SAFE SHUTDOWN - SAFETY KEY	42
5.3.3.	SWITCHING THE ROBT LAWN MOWER ON AND OFF - ON / OFF BUTTON.....	42
5.3.4.	SCHEDULED PROGRAMME SELECTION / SINGLE WORK CYCLE / FORCED RETURN TO CHARGING BASE - MODE SELECTION BUTTON	43
5.3.5.	BLUETOOTH® STATUS DISPLAY - BLUETOOTH® BUTTON.....	45
5.3.6.	DISPLAY OF ALARM STATES-ALARM ICON	45
5.3.7.	BATTERY CHARGE DISPLAY - BATTERY ICON	46
5.3.8.	STARTING THE ROBOT LAWN MOWER	46
5.4.	FUNCTIONING OF THE CHARGING BASE.....	47
5.5.	BATTERY CHARGING	47
5.6.	CUTTING HEIGHT ADJUSTMENT	48
6.	MAINTENANCE	50
6.1.	SCHEDULED MAINTENANCE	50
6.2.	PRODUCT CLEANING.....	51
6.3.	REPLACEMENT OF THE CUTTING BLADES	53
6.4.	WINTER BATTERY MAINTENANCE AND STORAGE	54
6.5.	BATTERY REPLACEMENT	54
7.	TROUBLESHOOTING	55
8.	TRANSPORT, STORAGE AND DISPOSAL	57
8.1.	TRANSPORT	57
8.2.	STORAGE.....	57
8.3.	DISPOSAL.....	57
9.	ACCESSORIES	58
10.	WARRANTY	59
10.1.	WARRANTY COVERAGE.....	59
11.	REGISTERED TRADEMARKS AND LICENCES	59
12.	EC DECLARATION OF CONFORMITY	60
13.	POWER SUPPLIER	63

1. MODELS AND TECHNICAL DATA

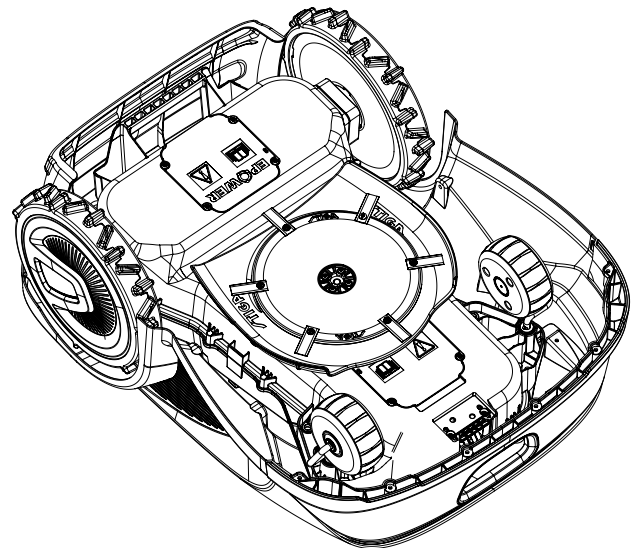
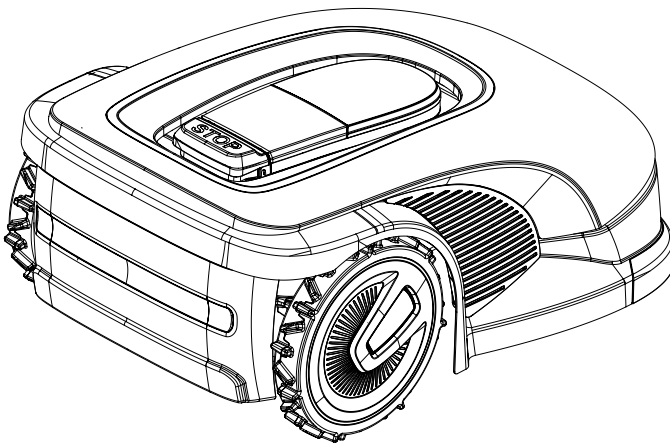
1.1. MODELS

This manual refers to the following models:

G 300, G 600, G 1200 (TYPE: SRSW01)



G 3600 (TYPE: SRBW01)



NOTE: the instructions in this manual apply to guide-wire robot lawn mower models. All illustrations, unless otherwise indicated, refer to the SRSW01 platform.

1.2. TECHNICAL DATA

SPECIFICATIONS	STIGA G 300	STIGA G 600	STIGA G 1200	STIGA G 3600
Dimensions (WxHxD)	413 x 252 x 560 [mm]			529 x 299 x 695 [mm]
Weight of the robot lawn mower	7.9+/- 0.1 [kg]		8.2+/- 0.1 [kg]	13.5+/- 0.1 [kg]
Cutting height (Min-Max)	20-60 [mm]			20-65 [mm]
Blade diameter	180 [mm]			260 [mm]
Cutting speed	2850+/-50 [rpm]			2400+/-50 [rpm]
Speed of movement	22 [m/min]			24 [m/min]
Maximum slope	45%			50%
Maximum slope along the perimeter	20%			
Type of cutting system	4 pivoting cutting blades			6 pivoting cutting blades
Cutting device code	322104105/0			
Sound power level detected	57 [dB] (A)			56 [dB] (A)
Uncertainty of noise emissions, KWA	1.47 [dB] (A)			0.56 [dB] (A)
Sound power level guaranteed	59 [dB] (A)			57 [dB] (A)
Acoustic pressure level at the operator's ear	46.3 [dB] (A)			45.2 [dB] (A)
IP rating of the robot lawn mower	IPX5			
IP rating of the charging station	IPX1			
IP rating of the power supply	IP67			
Robot lawn mower operating ambient temperature [°C]	0 ÷ 50			
Charging station operating ambient temperature [°C]	-10 ÷ 50			
Power supply ambient operating temperature [°C]	-10 ÷ 50			
Work capacity	300 [m ²]	600 [m ²]	1200 [m ²]	3600 [m ²]
Power supply	Input: 100-240 Vac, 1.2 A; Output: 30 VDC, 2 A Use one of the original codes below or subsequent updates (consult an authorised STIGA dealer) 118204158/0 (UE) 118204161/0 (UK) 118204163/0 (CH)			Input: 200-240 Vac, 0.8 A; Output: 30 VDC, 4 A Use one of the original codes below or subsequent updates (consult an authorised STIGA dealer) 118204159/0 (UE) 118204162/0 (UK) 118204164/0 (CH)

SPECIFICATIONS	STIGA G 300	STIGA G 600	STIGA G 1200	STIGA G 3600
30 VDC extension cables permitted	Use one of the original codes below or subsequent updates (consult an authorised STIGA dealer) Code: 1127-0010-01, Length 5 m Code: 1127-0020-01, Length 15 m			
Battery model	25.2 - 25.9 V 2 Ah	25.2 - 25.9 V 2.5 Ah	25.2 - 25.9 V 5 Ah	25.2V – 2x 5Ah
Charging time	60 [min]	80 [min]	150 [min]	150 [min]
Operating time	60 [min]	90 [min]	150 [min]	270 [min]
Connectivity:	Bluetooth®			Bluetooth®, 4G, GNSS
Browsing support function	-			GNSS
Power class RF Modules	Bluetooth LE Output power - 9 dBm			
	/			2G GSM / E-GSM - Class 4 - 33 dBm 2G DCS / PCS - Class 1 - 30 dBm 2G GSM / E-GSM - Class E2 - 27 dBm 2G DCS / PCS - Class E2 - 26 dBm 4G - Class 3 - 23dBm
Frequency range - Bluetooth®	Bluetooth LE - Frequency range 2400 - 2483.5 MHz			
Frequency range - 2G	/			GSM 850 MHz E-GSM 900 MHz DCS 1800 MHz PCS 1900 MHz
Frequency range - 4G	/			Band 1 (2100 MHz) Band 2 (1900 MHz) Band 3 (1800 MHz) Band 4 (2100 MHz) Band 5 (850 MHz) Band 7 (2600 MHz) Band 8 (900 MHz) Band 12 (700 MHz) Band 13 (750 MHz) Band 17 (700 MHz) Band 18 (850 MHz) Band 19 (850 MHz) Band 20 (800 MHz) Band 26 (850 MHz) Band 28 (800 MHz) Band 34 (2000 MHz) Band 38 (2500 MHz) Band 39 (1900 MHz) Band 40 (2300 MHz) Band 41 (2500 MHz) Band 66 (2100 MHz)
Perimeter cable the charging base antenna	Operating frequency band 500 - 50000 (Hz)			
	Maximum radio emission power < 70 µA/m @ 10m			

2. SAFETY

2.1. SAFETY INFORMATION

In the design of the device, special attention has been paid to aspects that can cause risks to the safety and health of people. The purpose of this information is to sensitize users to prevent any risk, avoiding behaviours that do not comply with the regulations reported.



DANGER:

Before using the robot lawn mower you must know all the information contained in this document.



DANGER:

This robot lawn mower is not intended to be used by children and people with reduced physical, sensory or mental abilities or with lack of experience and knowledge.



ELECTRICAL HAZARD:

Before carrying out any adjustment or maintenance intervention, disconnect the power supply and activate the safety device.



ELECTRICAL HAZARD:

Do not use the robot lawn mower with a damaged transformer power cable. A damaged cable can lead to contact with live parts. The cable must be replaced by the manufacturer or its assistance service or by a person with adequate qualifications, in order to prevent any risk.



ELECTRICAL HAZARD:

Only use the battery charger and power supply provided by the manufacturer. The use of an inappropriate charger and power supply can cause electric shocks and / or overheating.



CAUTION:

In case of leakage of liquid from the battery, the affected components must be washed with water / neutralizer.

Avoid any direct contact with the battery liquid.

If the liquid comes into contact with the eyes, call a doctor immediately.



CAUTION:

During the operation of the robot lawn mower, make sure that there are no people, especially children, or\and pets, in the operating area . Otherwise, program the activity of the robot lawn mower during the hours when there are no people in that area.



CAUTION:

The operational area must be limited by a non-passable fence.

Make the fence suitable or supervise the robot lawn mower during its operation.



CAUTION:

Only use original spare parts.

**CAUTION:**

Do not modify, tamper with, elude or eliminate the safety devices installed.

**WARNING:**

Check that there are no toys, tools, branches, clothing, or other items on the lawn that could damage the device.

**BAN:**

Do not sit on top of the robot lawn mower.

**BAN:**

Never lift the robot lawn mower to inspect the blade or to transport it when it's started. Do not put your hands and feet under the device.

**BAN:**

Do not use the robot lawn mower when a sprinkler is in operation.

**BAN:**

Do not wash the robot lawn mower with high pressure water jets, and do not immerse it, partially or completely, in water.

**BAN:**

Do not use the robot lawn mower if it is not perfectly intact in all its parts. In case of damage replace the affected parts.

**BAN:**

It is absolutely forbidden to use and recharge the robot lawn mower in explosive and inflammable environments.

**OBLIGATION:**

Visually check the robot lawn mower at regular intervals to make sure the blades and mowing mechanism are not worn out or damaged. Make sure that the robot lawn mower is in good operating conditions.

**OBLIGATION:**

Read the entire manual carefully, especially all safety information, and make sure you fully understand it. Follow the operating, maintenance and repair instructions carefully.

**OBLIGATION:**

Operators carrying out maintenance and repair interventions must be fully familiar with the specific features and safety regulations of the robot lawn mower.

**GLOVES OBLIGATION:**

Use personal protection foreseen by the Manufacturer. Always use protective gloves when working on the cutting mechanism.

2.2. SAFETY INSTRUCTIONS



OBLIGATION:

Read carefully before use and store for future reference.

2.2.1. SAFE OPERATING PROCEDURES

Training

- a. Read the instructions carefully, learn the controls and the correct use of the machine.
- b. Never allow children, persons with reduced physical, sensory or mental capabilities, or lack of experience and knowledge, or persons unfamiliar with these instructions, to operate the machine. Local regulations may limit the age of the operator.
- c. The operator, or user, is to be held responsible for accidents or hazards involving third parties or third party equipment.

Preparation

- a. Make sure that the automatic system of perimeter delimitation is installed correctly as indicated.
- b. Periodically check the area where the machine is used and remove stones, sticks, cables and any other foreign objects that may interfere with its operation.
- c. Periodically carry out a visual inspection of the blades, blade bolts and of the cutting unit to check that they are not worn out or damaged. Replace worn out or damaged blades and bolts in pairs to maintain the balance of the machine.
- d. Warning signs must be placed around the working area of the machine if it is used in public areas or areas open to the public. Signs must read as follows: "Warning! Automatic lawn mower! Keep away from the machine! Children must be supervised!"

2.2.2. OPERATION

General information

- a. Do not operate the machine with defective guards or safety devices that are not present, for example without protections.
- b. Do not put hands or feet near or under the rotating parts. Always keep away from the drain opening.
- c. Do not touch any moving parts of the machine until they have come to a complete stop.
- d. Always wear sturdy shoes and long trousers when operating the machine.
- e. Never lift or transport the machine when the motor is running.
- f. Remove the disabling device from the unit:
 - Before removing an obstruction;
 - Before checking, cleaning or working on the machine;
 - If hit by a foreign object, to check for possible damage to the machine;
 - If the machine starts to vibrate abnormally, check for damage before restarting it.
- g. Do not leave the machine in operation unattended in the presence of pets, children or other people nearby.

Maintenance and storage

- a. Tighten all nuts, bolts and screws securely for safe operation of the machine.
- b. Frequently check the robot lawn mower for wear or deterioration.
- c. For safety reasons it is necessary to replace worn out or damaged parts.
- d. Make sure that the blades are replaced only with suitable spare parts.
- e. Make sure the batteries are recharged using the correct charger recommended by the manufacturer. Incorrect use can cause electric shock, overheating or leakage of corrosive liquid from the battery.
- f. In case of electrolyte leaks, wash with water / neutralizing agent and consult a doctor in case of contact with eyes, etc.
- g. Machine maintenance must be carried out in accordance with the manufacturer's instructions.

Residual Risks

- Although the product complies with all safety requirements, additional risks may still exist due to improper installation and/or unforeseeable circumstances.

Therefore, the area on which the product will operate must be free of objects, people and animals, and all persons who may have access, even occasionally, to the work area must be informed of the possible hazards.

- In the event of thunderstorms with risk of lightning and in anticipation of bad weather conditions in general, it is recommended not to use the product and to disconnect the perimeter cable from the charging base and all peripheral devices from the mains. To use the product, reconnect the perimeter cable and peripherals to the mains following the manual's instructions.

Battery / battery charger



WARNING:

Lithium-ion batteries can explode or cause fires if disassembled, exposed to water, fire or high temperatures or in the event of a short circuit. Handle the battery carefully, do not disassemble it and avoid any type of improper electrical or mechanical stress. Avoid exposing the battery to direct sunlight.

NOTE: It is recommended to use only original products supplied by the manufacturer. Non-original or inadequate products can cause damage to the robot lawn mower or can be dangerous for people, animals and things.

- a. The battery should only be installed and / or removed from the robot lawn mower by the retailer or a service centre.
- b. Store the unused battery in a safe place away from sources of heat or objects that can cause short circuits (pegs, screws, metal objects of various kinds).
- c. Use the battery charger away from flammable surfaces or substances, and in preferably dry places.
- d. Transport the battery and the battery charger in the original packaging.

NOTE: The robot mower battery is a perishable element and the charging capacity decreases over time, decreasing the working range of the robot mower without compromising its operating performance.

Environmental protection

NOTE: Safeguarding the environment must be a relevant and priority aspect of machine use, of benefit to the community and the environment we live in.

- a. Dispose of packaging and damaged parts as required by local regulations in the country of use.
- b. Dispose of electrical equipment (robot lawn mower, battery, power supplies, etc.) as per European Directive 2012/19 / EU and in compliance with the national standards. For further information on the disposal, contact your retailer or a domestic waste collection service.
- c. Separate collection of products and packaging is recommended.

2.3. STOPPING AND TURNING OFF THE ROBOT LAWN MOWER IN SAFE CONDITIONS



OBLIGATION:

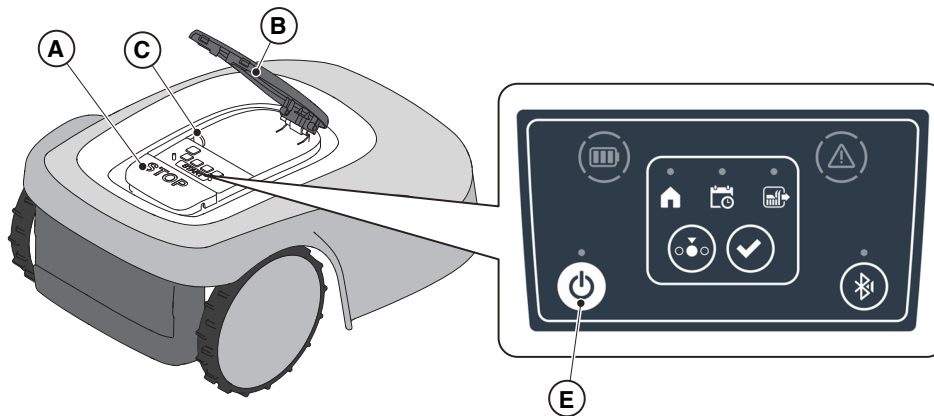
Always switch off the robot lawn mower in safe conditions before any cleaning, transport or maintenance operation.

Requirements and obligations:

- Safety key.

Procedure:

1. Press the **“STOP”** (A) button to stop the robot lawn mower safely and open the protective cover (B).
2. Push the off button (E) for a few seconds and wait for the LED on the same button to go out.
3. Only disengage the safety key (C) after the LED (E) go out to switch off the robot lawn mower in safe conditions.
4. Close the protective cover (B).



3. INTRODUCTION

3.1. GENERAL INTRODUCTION

3.1.1. PURPOSE OF THE MANUAL

This manual is an integral part of the device and it is intended to provide the information necessary for its use.

Keep this manual for the entire life of the device, so that it is always available in case of need.

The recipient of the manual is the user of the device, who is required to carefully read the information contained therein and apply it rigorously to protect people's safety and to avoid damage.

The information is drawn up in the original language of the manufacturer (Italian) and translated into any other languages for legislative and/or commercial needs.

The following symbols have been adopted to highlight important texts.



DANGER \ CAUTION \ WARNING:

The pictograms contained in a triangle with a yellow background and a black line indicate danger \ caution \ warning.



BAN:

The pictograms contained in a crossed-out circle with a white background and a red stroke indicate a ban.



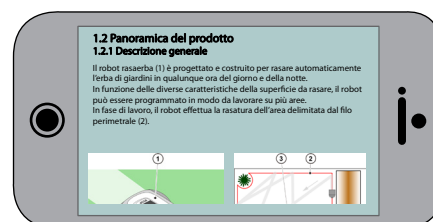
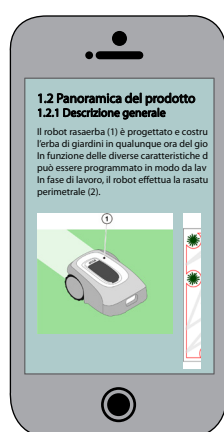
OBLIGATION:

The pictograms contained in a circle with a blue background indicate an obligation.

NOTE: The texts shown in this form indicate technical information of particular importance, which should not be ignored.

3.1.2. INSTRUCTIONS FOR READING FROM SMARTPHONE

For better readability of the user manual, it is recommended to keep the smartphone in an horizontal position, as shown in the picture.



3.2. PRODUCT OVERVIEW

3.2.1. GENERAL DESCRIPTION

The robot lawn mower (A) is designed and built to automatically cut garden grass at any time of day and night.

According to the different characteristics of the surface to be cut, the lawnmower robot can be programmed to work on several areas delimited by the perimeter cable (B).

When operating, the robot lawn mower mows the area delimited by the perimeter cable (B).

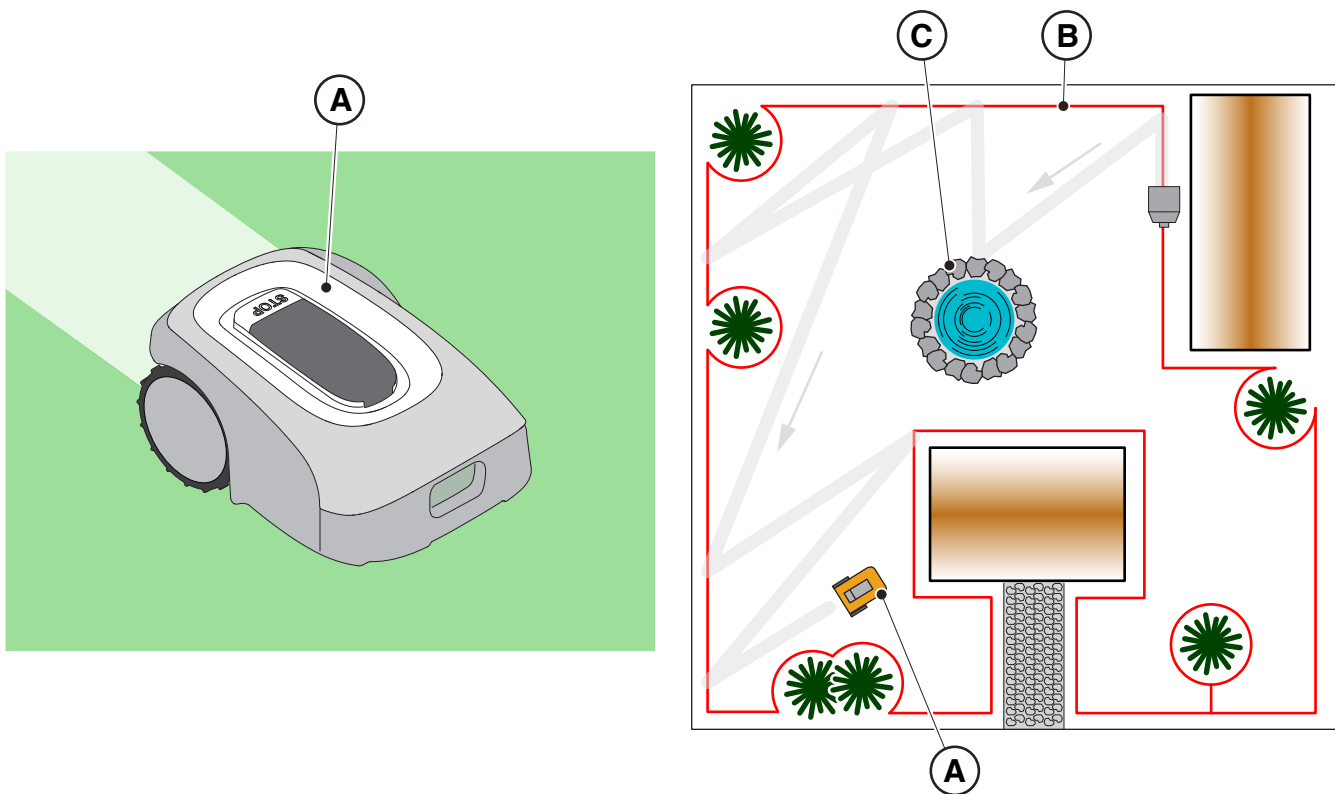
When the robot lawn mower detects the perimeter cable (B) or encounters an obstacle (C) it changes trajectory randomly.

Based on the random operation principle, the robot lawn mower mows the delimited lawn automatically and completely.

Platform TYPE: SRBW01 is equipped with a 3G/4G module with SIM card and a GNSS module, allowing the remote control of the robot lawn mower and navigation assistance functions.

NOTE: For platform TYPE: SRBW01, the presence of a mobile network connection at the installation site is required to set the robot mower settings and for remote control purposes. Check in advance that the mobile network coverage is sufficient on stiga.com or via the APP. The network connection provider may change at any time according to commercial agreements.

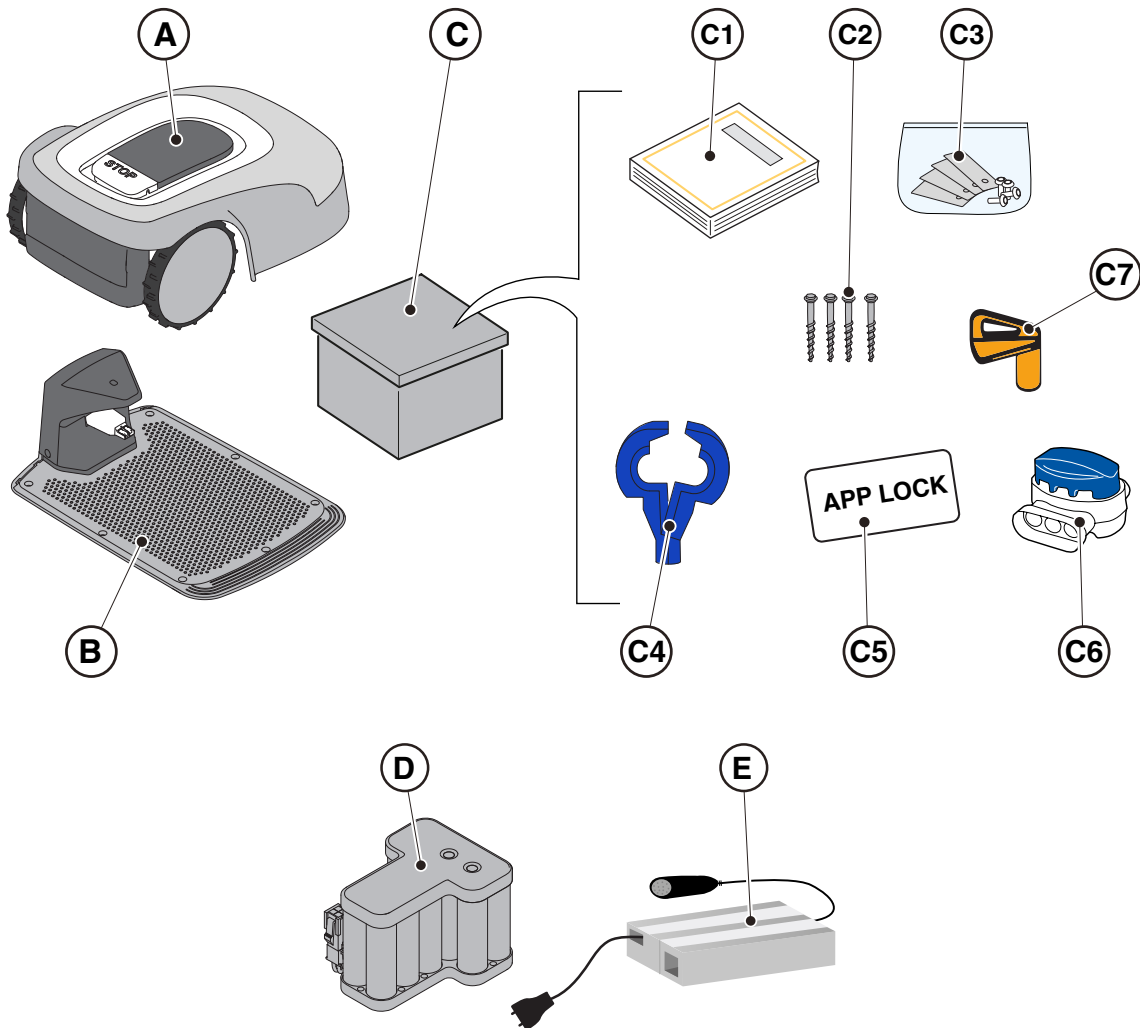
Any other usage may be hazardous and harm persons and/or damage things. Improper use includes (for example, but not limited to): transporting people, children or animals on the machine; being transported by the machine; using the machine to pull or push loads; using the machine for cutting non-grass vegetation.



3.2.2. MAIN COMPONENTS

- (A) Robot lawn mower
- (B) charging base
- (C) Starter kit
- (D) Battery/ies (inside the robot lawn mower)
- (E) charging base power supply

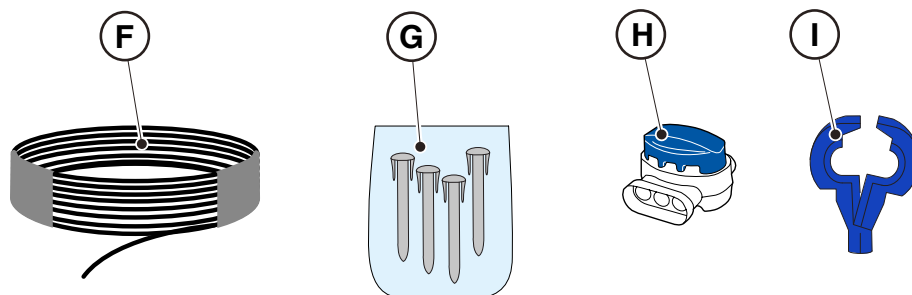
- (C1) Instruction manual
- (C2) charging base fixing screws
- (C3) Blister with blades and fixing screws
- (C4) Charging Base connectors
- (C5) App Lock Label
- (C6) Joint for perimeter cable
- (C7) Safety key



• **Installation kit (Optional for G 600. G 1200 and G 3600)**

- (F) Perimeter cable
- (G) Perimeter cable fixing pegs
- (H) joint for perimeter cable
- (I) charging base connectors

See Chapter 9 "Accessories"



3.3. UNPACKING

Following are listed all the steps to perform the correct unpacking:

1. Open the box of the robot lawn mower;
2. Take out the " Starter Kit" box;
3. Take out the upper containment carton;
4. Take out the robot lawn mower;
5. Take out the charging base.



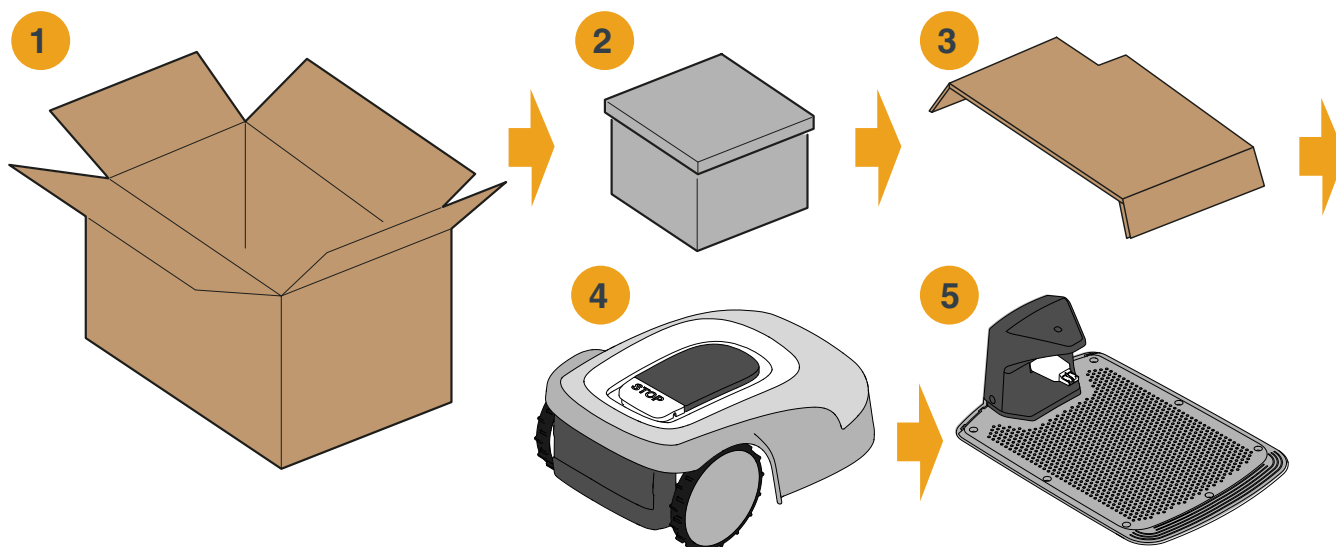
WARNING:

Make sure to remove all packaging material from the robot lawn mower before using it.



WARNING:

To avoid injury or damage, please be careful when unpacking the robot lawn mower, avoiding contact with cutting blades or other hazardous elements.



3.4. SYMBOLS AND NAMEPLATES

Below all the symbols on the robot lawn mower are listed:



WARNING:
Read the user instructions before starting the product.



WARNING:
Danger of projections of objects against the body.
Keep an adequate safe distance from the machine while it is running.



WARNING:
Do not put hands and feet near or under the opening of the cutting means.
Remove the disabling device before operating on the machine or before lifting it.



WARNING:
Do not put hands and feet near or under the opening of the cutting means.
Do not stand on the machine.



BAN:
Do not use high pressure cleaners on the machine to clean or wash it.



BAN:
Make sure that there are no people (especially children, elderly or disabled) and pets in the working area during the operation of the machine.
Keep children, pets and other people at a safe distance when the machine is functioning.

Symbols on model labels:



Appliance with insulation class III, powered by battery (Robot Lawn mower) or special power supply unit (Charging Base and Reference Station).



Use the original power supply with the specifications on the rating plate.



DC power supply symbol.

IPXX Protection rating against the ingress of solids and water.

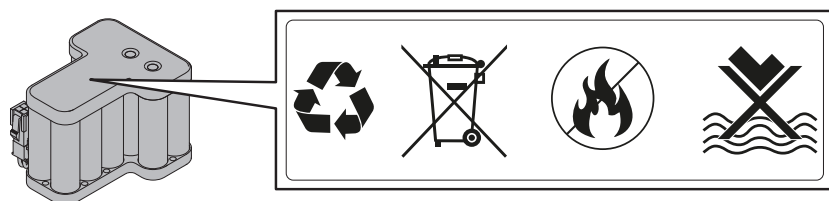


Electrical and Electronic Equipment Waste, to be taken to designated facilities for recycling and disposal.



Guaranteed sound power level

All the symbols on the Battery are shown below:



WARNING:
Read the user instructions before starting the product.



Do not dispose of the battery as normal household waste.
Dispose of the battery in the appropriate authorized collection centres.



Do not throw the battery into the fire and do not expose it to heat sources.

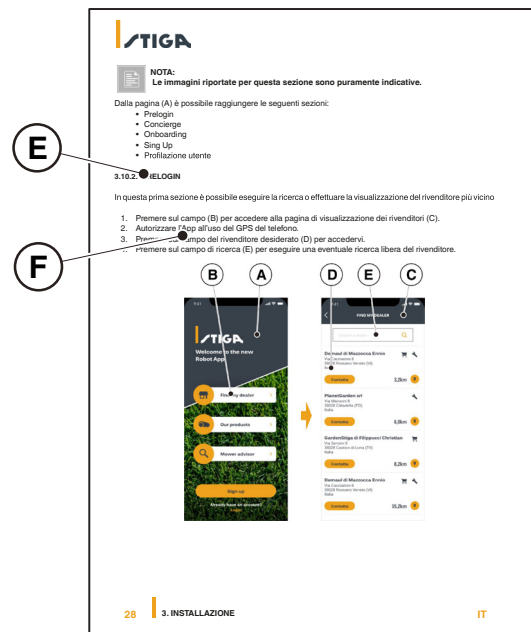
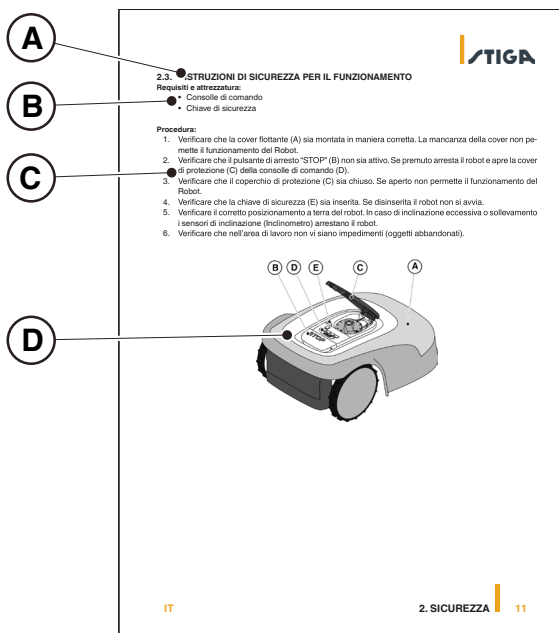


Do not immerse the battery in water and do not expose it to moisture.

3.5. GENERAL MANUAL READING INSTRUCTIONS

The criteria used for the preparation of this document are described below.

1. Topic title (A).
2. Requirements and equipment for carrying out the procedure (B).
3. Description of the procedure (C).
4. Descriptive pictures of the procedure (D).
5. App section title (E).
6. App navigation procedure (F).



4. INSTALLATION

4.1. GENERAL INSTALLATION INFORMATION



CAUTION:

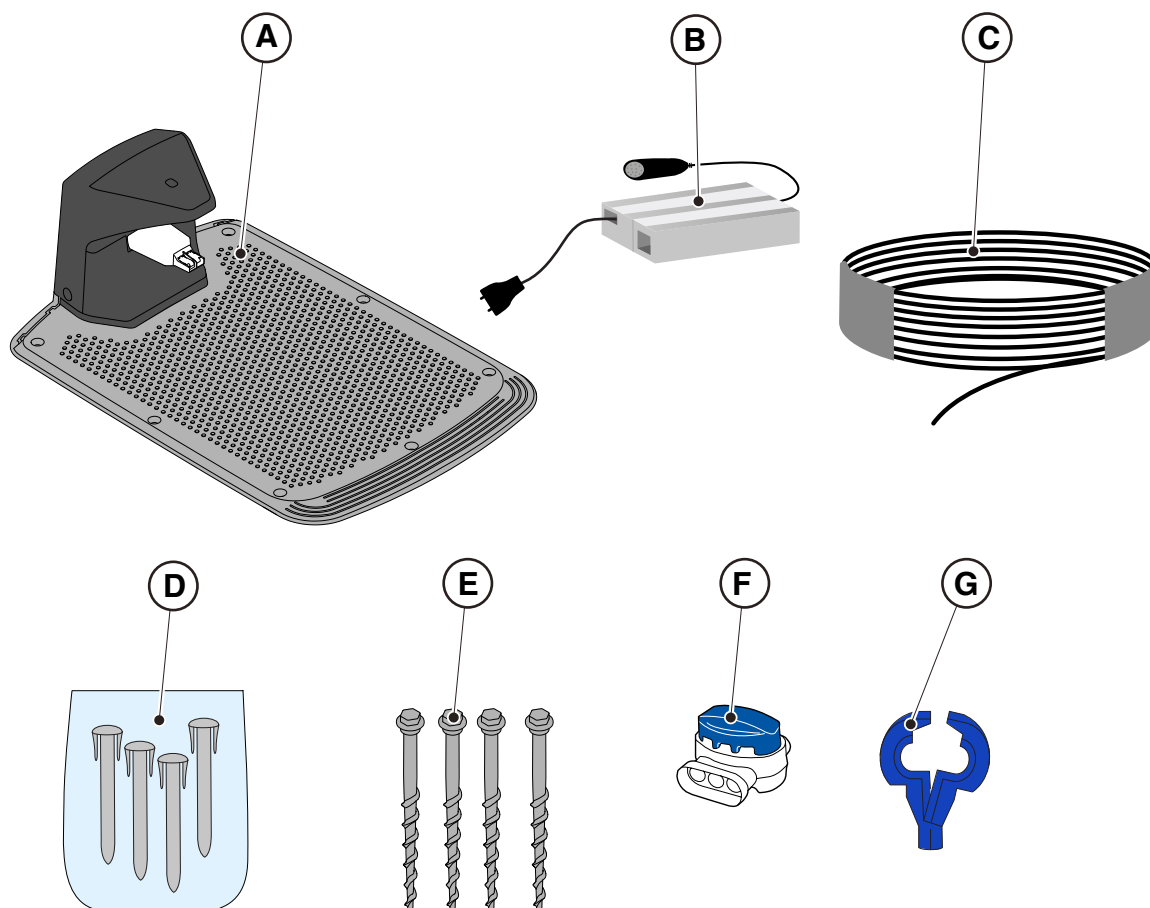
Do not modify, tamper with, elude or eliminate the safety devices installed.

NOTE: For further clarification on the installation of the product please contact a STIGA dealer.

4.2. INSTALLATION COMPONENTS

- (A) charging base
- (B) Power supply
- (C) Perimeter cable (included in the installation Kit)
- (D) Perimeter cable fixing pegs (included in the installation Kit)
- (E) charging base fixing screws
- (F) Joint for perimeter cable (included in the installation Kit)
- (G) charging base connectors (included in the installation kit)

See Chapter 9 “Accessories”



4.3. VERIFICATION OF THE INSTALLATION REQUIREMENTS

Below, the procedures to check the necessary requirements and prepare the garden before proceeding with the installation are described.




4.3.1. GARDEN VERIFICATION:

- Carry out a survey of the entire area for a correct detection of the state of the garden, of any obstacles and areas to be excluded.
- Check that the lawn to be mowed is uniform, free of holes, stones or other obstacles and, if necessary, carry out the appropriate environmental decontamination works.

NOTE: Level the ground to prevent puddles from forming after a rainfall.

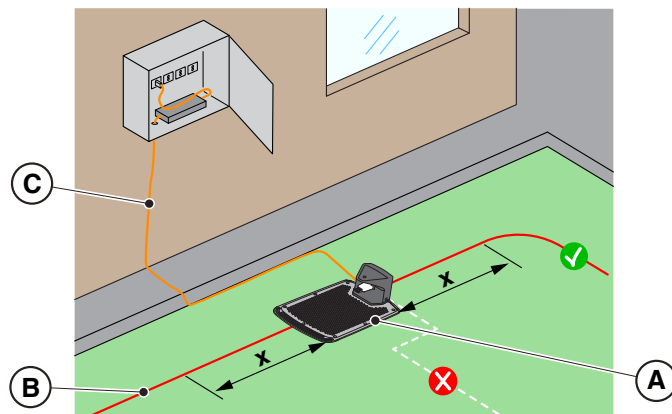
NOTE: At the first installation, the initial height of the grass must be within the operating range of the robot lawn mower: 20-60mm. If necessary, prepare the garden using a traditional lawn mower.

4.3.2. CHARGING BASE AND POWER SUPPLY INSTALLATION CHECKS

 <p>ELECTRICAL HAZARD: A socket must have been prepared near the installation area to connect it to electricity. Make sure that connection to the power supply network conforms to laws in force of the Country where it is used.</p>	 <p>ELECTRICAL HAZARD: Do not connect the power supply to an electrical outlet if the plug or the cable is damaged. Do not connect or touch a damaged cable before it is disconnected from the power supply. A damaged cable can lead to contact with live parts.</p>
 <p>ELECTRICAL HAZARD: The circuit provided must be protected by a residual current device (RCD) with an activation current not exceeding 30 mA.</p>	

Procedure:

1. Prepare a flat area at the edge of the lawn for positioning the charging base (A), preferably in the largest portion of the garden and near an electrical outlet.
2. Make sure there is enough space to install the charging base on a straight section of the perimeter cable (B), so that the distance of the base from any curves is at least $X = 200$ cm; the ground must be perfectly flat and compact in order to avoid the deformation of the surface of the charging base.

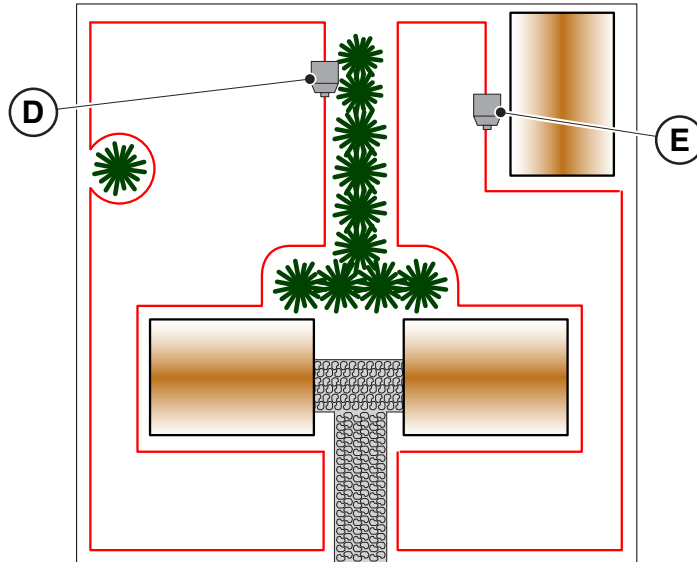




WARNING:

The power cable (C), power supply unit, extension cord and all other electric cables which do not belong to the product must remain outside the cutting area to maintain their distance from hazardous moving parts and prevent damage to cables which may come into contact with live parts.

3. Make sure that the area chosen for installing the charging base (D) is at least 400 cm away from the charging base (E) of a possible second robot lawn mower.

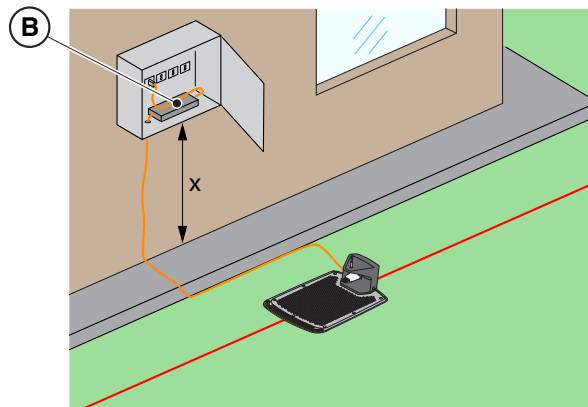


WARNING:

The excessive proximity between two charging bases could cause interference (See Par. 4.7.14).

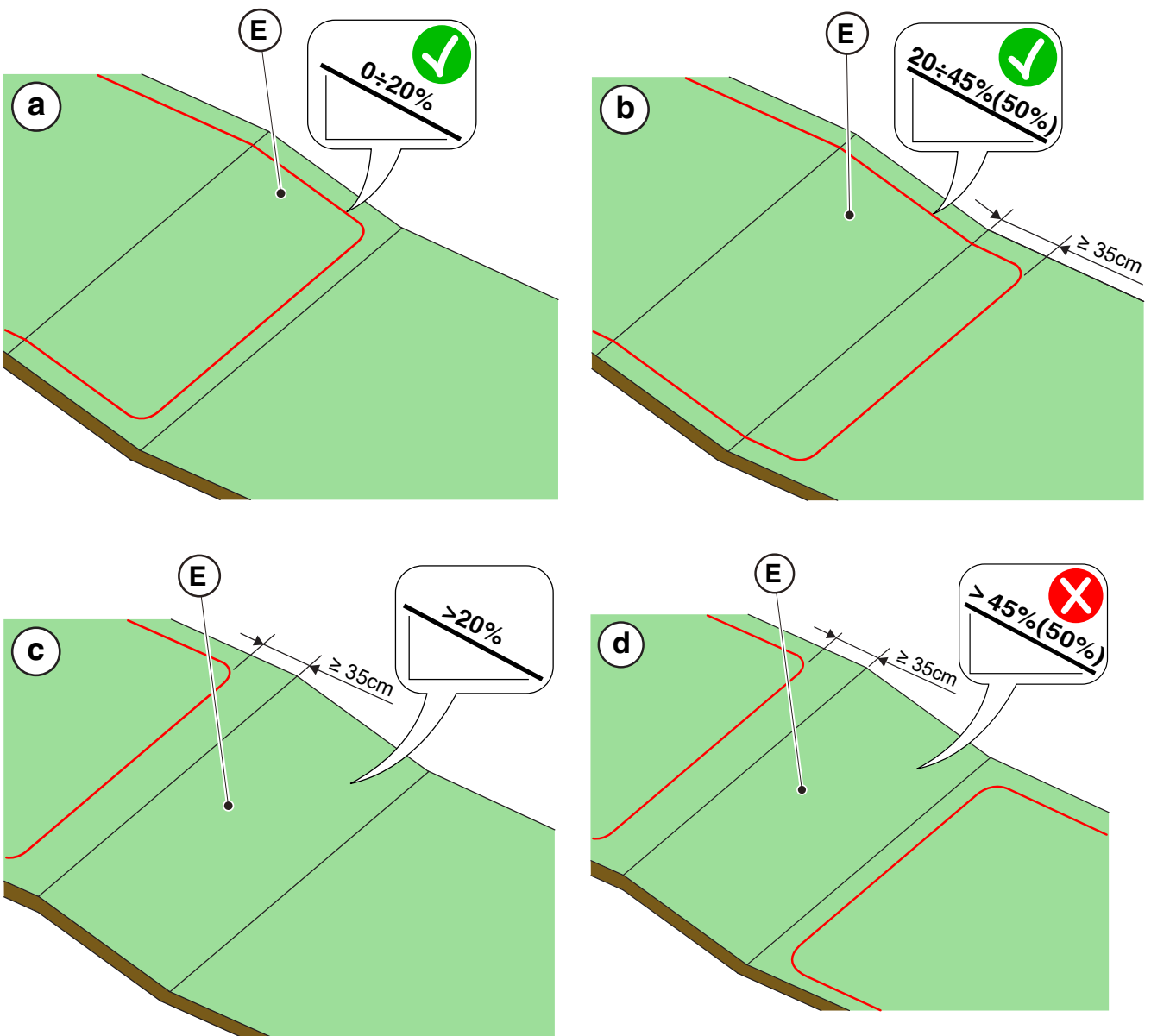
4. Prepare the installation area of the power supply unit (B) so that it is protected from solar radiation and in order to prevent it from being submerged in water at any time.

NOTE: It is preferable and recommended to install the power supply (B) in a closed compartment protected from atmospheric agents, in a position that is not easily accessible by unauthorized persons such as children ($X > 160$ cm).



4.3.3. MAIN CHECKS WHEN INSTALLING THE PERIMETER CABLE:

1. Check that the maximum slope of the work area is less than or equal to 45% or 50% depending on the model (see Par. 1.2 TECHNICAL DATA), and comply with the rules shown in Fig. below
 - a) if the slope is $\leq 20\%$ the perimeter cable can be installed on it as shown in the image;
 - b) if the slope is $> 20\%$ and $\leq 45\%$ (50%) the installation must include the slope area observing the distance indicated in the image;
 - c) if the slope is $> 20\%$ and the slope area is not part of the part of the garden to be cut, the distance indicated in the image must be observed;
 - d) if the slope is $> 45\%$ (50%) the slope area must be excluded observing the distance indicated in the image.





WARNING:

The robot can mow surfaces with a maximum slope of 45% or 50% depending on the model.

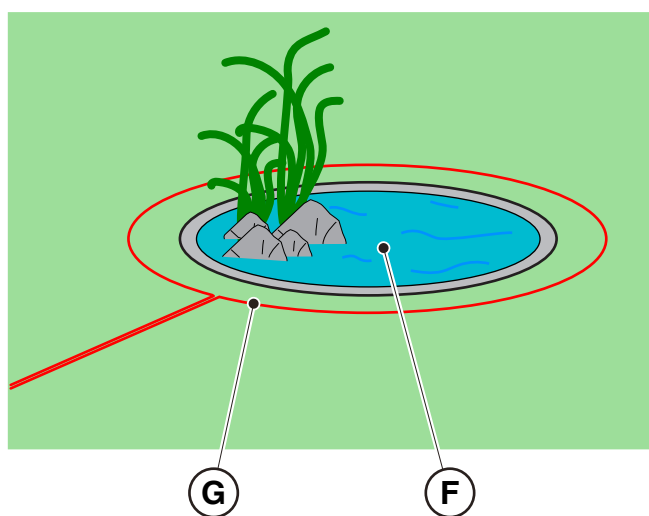
In case of non-compliance with the instructions, the robot may slip and exit the work area



WARNING:

Areas with slopes greater than those permissible may not be mowed. Place the perimeter cable before the slope excluding that area of the lawn from being mowed.

2. Check the entire work surface: assess the obstacles and areas to be excluded from the work area (F), which must be delimited with the perimeter cable (G).



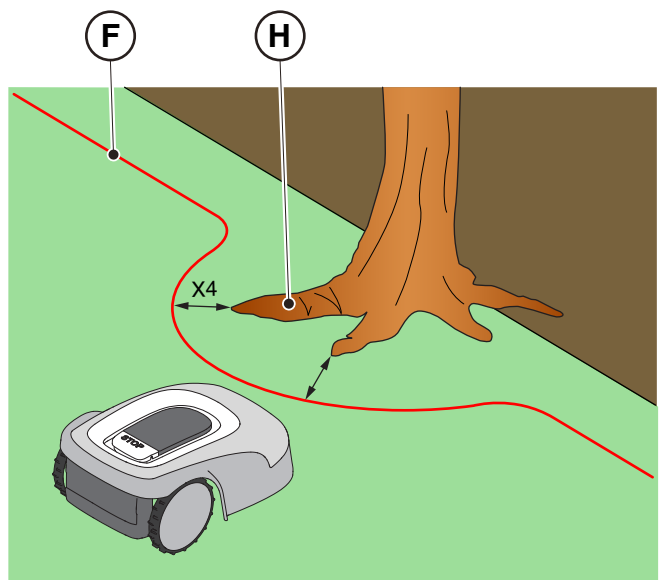
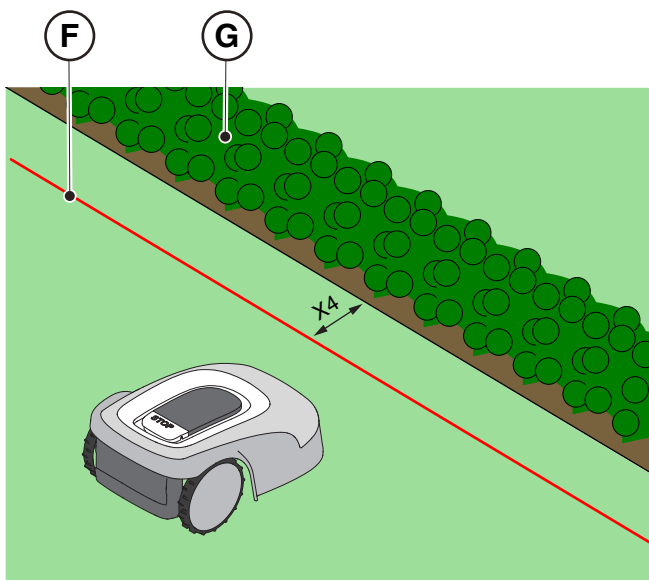
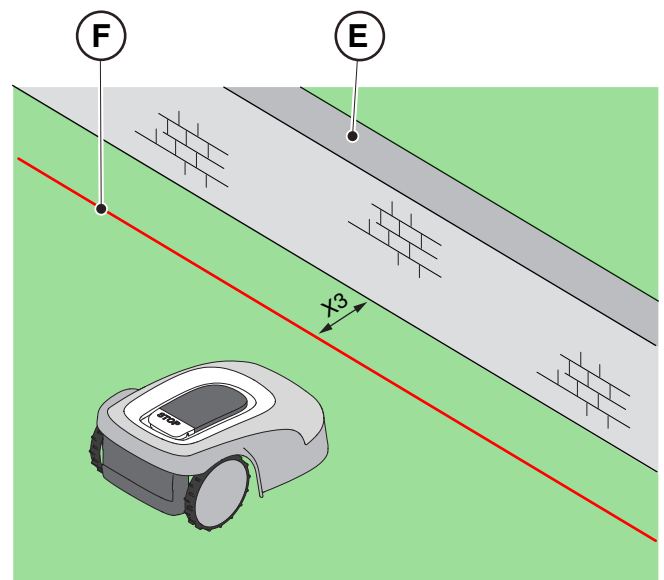
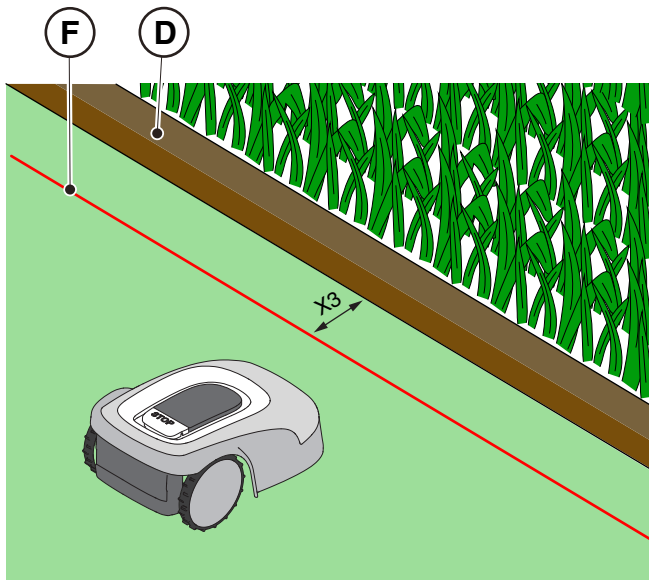
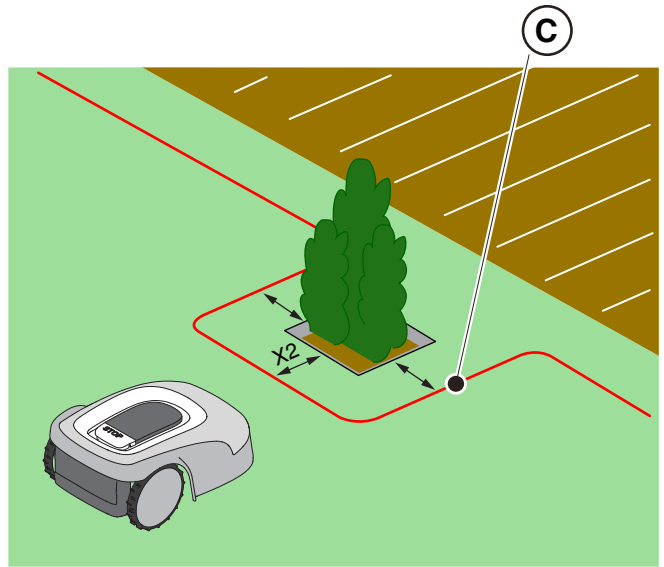
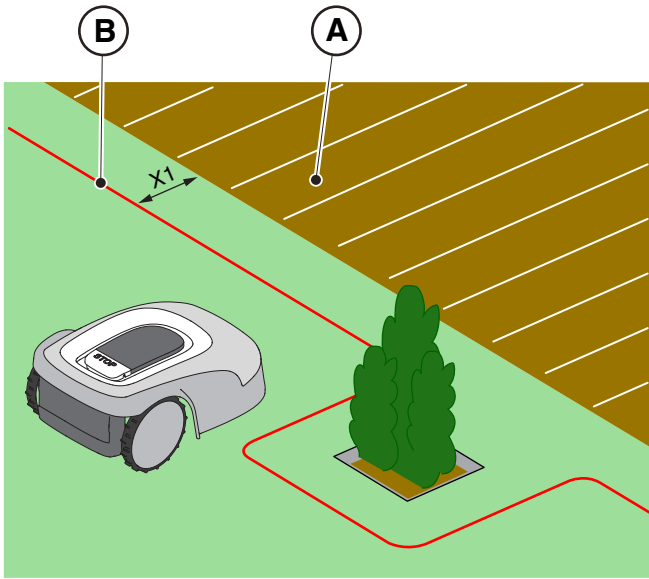
4.4. CRITERIA FOR INSTALLING THE PERIMETER CABLE

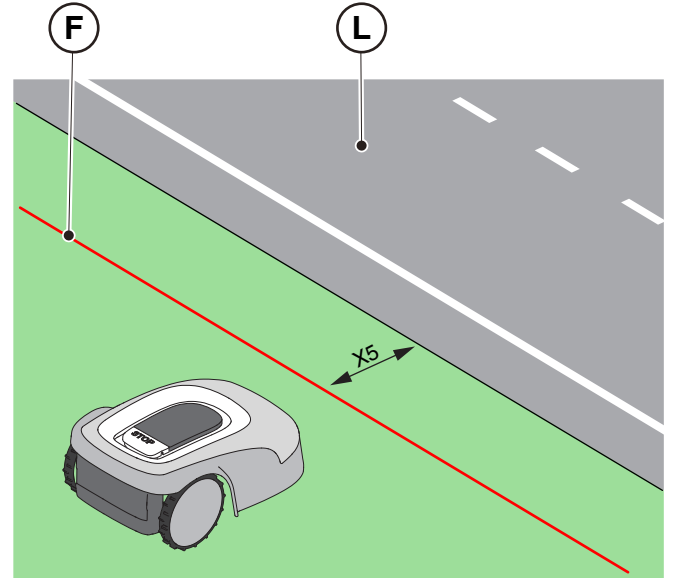
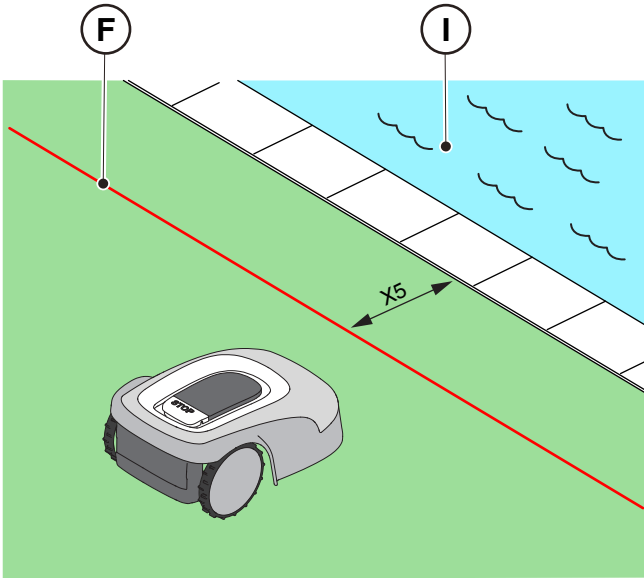
4.4.1. PERIMETER CABLE PLACEMENT

Procedure:

Depending on the model, place the perimeter cable at the minimum distances given in the table below.

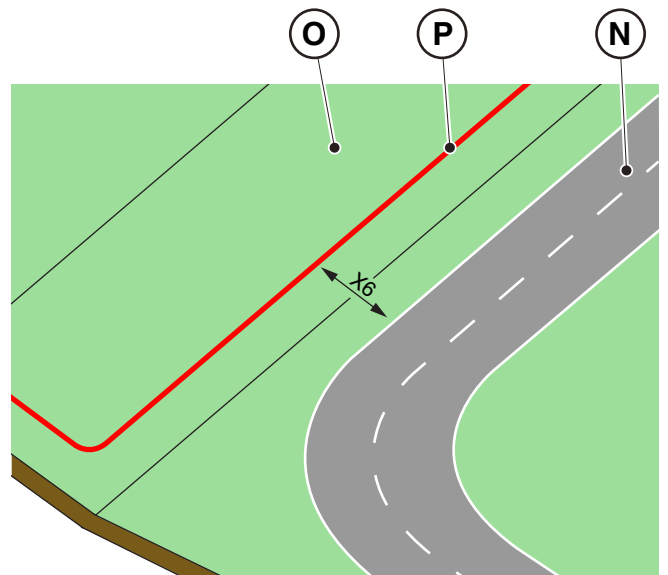
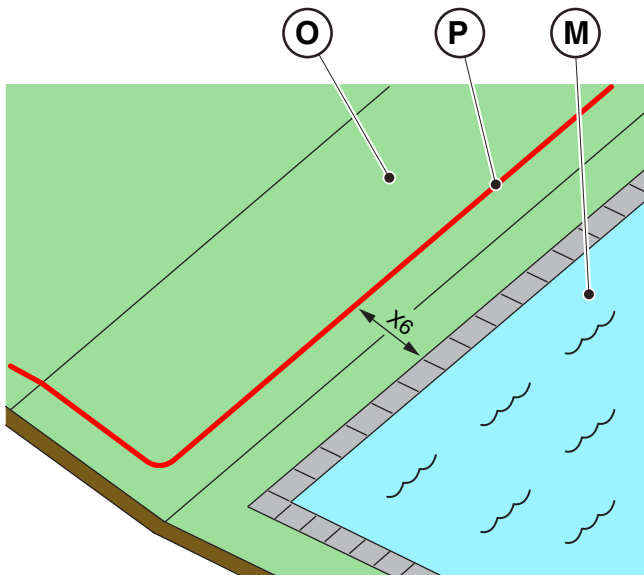
MINIMUM DISTANCES		
STRUCTURAL ELEMENT	MINIMUM CABLE INSTALLATION DISTANCE FROM THE STRUCTURAL ELEMENT	
TYPE	SRSW01	SRBW01
MODEL	G 300, G 600, G 1200	G 3600
If there is a pavement or path (A) at the same level as the lawn, arrange the perimeter cable (B) at X1 distance of	X1= 5cm	
If there is an obstacle, for example a ditch (D), a wall or a low wall (E), arrange the perimeter cable (F) at X3 distance of	X3= 35cm	X3= 45cm
In the presence of a flowerbed at the same level, a metal manhole, a shower surface or electric cables (C), a hedge (G) or a plant with protruding roots (H), place the perimeter cable (C),(F) at a distance no less than X2, X4	X2, X4= 30 cm	X2, X4= 40 cm
If there is an infinity pool or pond (I), unsecured public roads (L), adjust the perimeter cable (F) at X5 distance of	X3= 90cm	X3= 100cm
If there is a swimming pool (M) or a road (N) at the end of a slope (O), arrange the perimeter cable (P) at X6 distance of	X6= 150cm	





WARNING:

If the slope is greater than 45% or 50%, depending on the model, the slope area must be excluded from the cutting area (See Par. 4.3).



CAUTION:

The operating area and more generally the area in which the robot lawn mower can travel must be cordoned off by fencing.

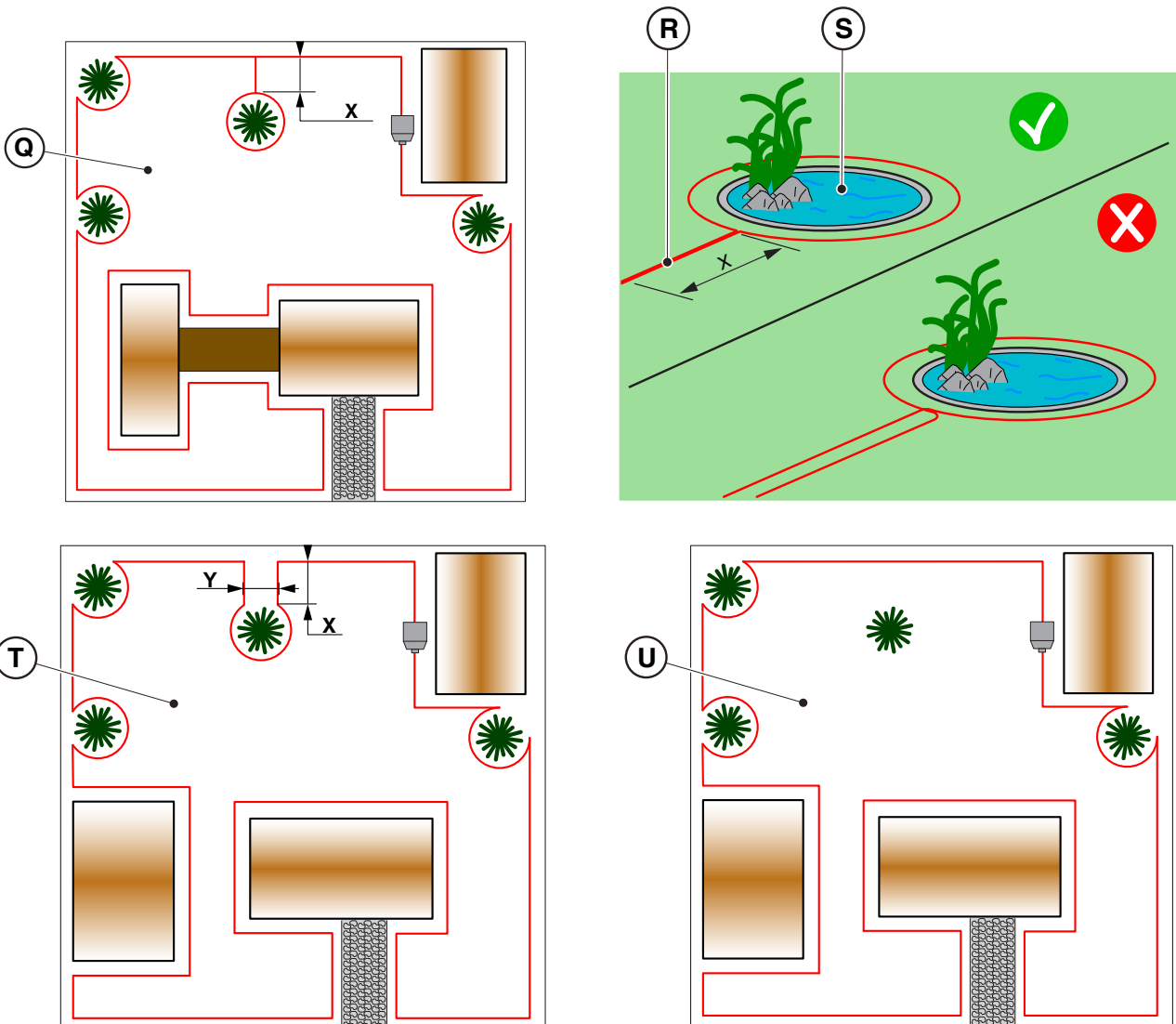
4.4.2. DELIMITATION OF OBSTACLES

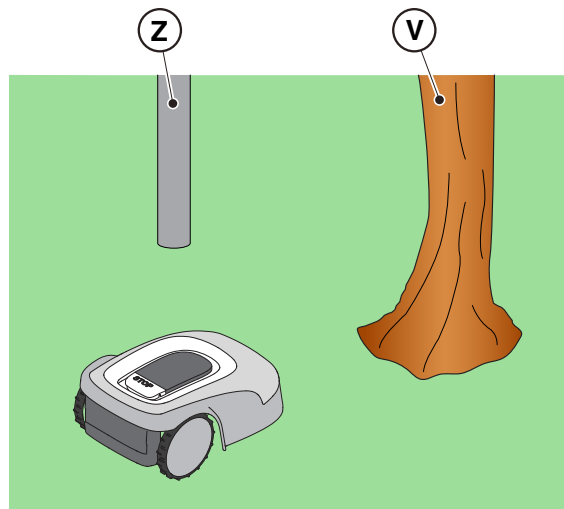
Procedure:

Delineate the obstacle as described in the table below according to the minimum passage between two different sections of the perimeter cable (Q), which varies according to the model.

TYPES OF OBSTACLE DELIMITATIONS		
X-PASSAGE BETWEEN TWO DIFFERENT SECTIONS OF PERIMETER CABLE		
SRSW01	SRBW01	TYPE
G 300, G 600, G 1200	G 3600	MODEL
$X \geq 70\text{cm (Q)}$	$X \geq 90\text{cm (Q)}$	The obstacle can be delimited by overlapping the outward and return cable sections without crossing them (Q), (R).
$X < 70\text{cm (T)}$	$X < 90\text{cm (T)}$	The obstacle can be delimited by spacing the two sections of the outward and return cable by at least $Y = 30\text{ cm (T)}$. If the obstacle is sufficiently robust it can be left unprotected (U).

In general, it is advisable to delimit obstacles, however if there are localized obstacles that resist impact, for example trees without protruding roots (V) or poles (Z), it is possible not to delimit them.



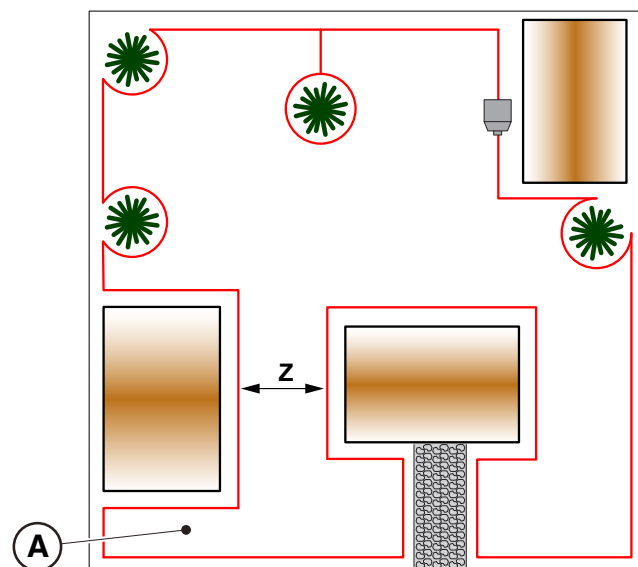


4.4.3. PASSAGES AMONG DIFFERENT AREAS OF THE GARDEN

Procedure:





In the case of corridors, the distance between two different sections of perimeter cable must be no less than the distance shown in the table below, which varies according to the model.

TRANSITIONS BETWEEN DIFFERENT AREAS OF THE GARDEN		
CORRIDOR WIDTH Z		
SRSW01	SRBW01	TYPE
G 300, G 600, G 1200	G 3600	MODEL
Z >= 70°cm	Z >= 90°cm	Zone (A) can be reached by the robot lawn mower automatically.
Z < 70°cm	Z <= 90°cm	Zone (A) cannot be reached by the robot lawn mower and is considered a "Closed Area".



NOTE: For programming the robot lawn mower relating to the configuration of the garden with "Closed Area" please refer to the procedure at Par . 4.7.5 "Closed Area".

4.5. COMPONENTS INSTALLATION

 <p>ELECTRICAL HAZARD: Only use the battery charger and power supply provided by the manufacturer. Improper use may cause electric shock and/or overheating.</p>	 <p>CAUTION: The circuit provided must be protected by a residual current device (RCD) with an activation current not exceeding 30 mA.</p>
 <p>ELECTRICAL HAZARD: A socket must have been prepared near the installation area to connect it to electricity. Make sure that connection to the power supply network conforms to laws in force of the Country where it is used.</p>	 <p>ELECTRICAL HAZARD: Connect the power supply only at the end of all the installation operations. If necessary during the installation, turn off the general power supply.</p>

4.5.1. INSTALLATION OF THE PERIMETER CABLE

MAXIMUM LENGTH OF PERIMETER CABLE	STIGA CABLES COMPATIBLE WITH THE INSTALLATION	
< 400m	Code 1127-0000-01 Code 1127-0001-01 Code 1127-0002-01 Code 1127-0003-01	Reel 150 m, Ø 2.7 mm Reel 300 m, Ø 2.7 mm Reel 500 m, Ø 3.4 mm Reel 1000 m, Ø 3.4 mm
>= 400m up to max. 1000m	Code 1127-0002-01 Code 1127-0003-01	Reel 500 m, Ø 3.4 mm Reel 1000 m, Ø 3.4 mm

POSITIONING WITH PEGS

 <p>CAUTION: Danger of cutting hands.</p>	 <p>CAUTION: Danger of dust in the eyes.</p>
---	--

Requirements and obligations:

- | | |
|---|---|
| <ul style="list-style-type: none"> • Low grass all the way • Perimeter cable • Fixing pegs • Joints for perimeter cable • Pliers | <ul style="list-style-type: none"> • Hammer • Gloves • Glasses • Electrician's scissors |
|---|---|

 <p>GLOVES OBLIGATION: Use protective gloves to avoid cutting your hands.</p>	 <p>GLASSES OBLIGATION: Use safety glasses to avoid the danger of dust in the eyes.</p>
---	---

Procedure:

1. Place the perimeter cable (A) starting from the charging base installation area.
2. Place the cable along the entire path, fixing it with the suitable pegs (B) spaced approximately 100 cm apart, and observing the installation requirements (See Par. 4.3 and Par. 4.4).
3. Leave 2 m of cable or more to subsequently cut it to size in the final phase of connection.

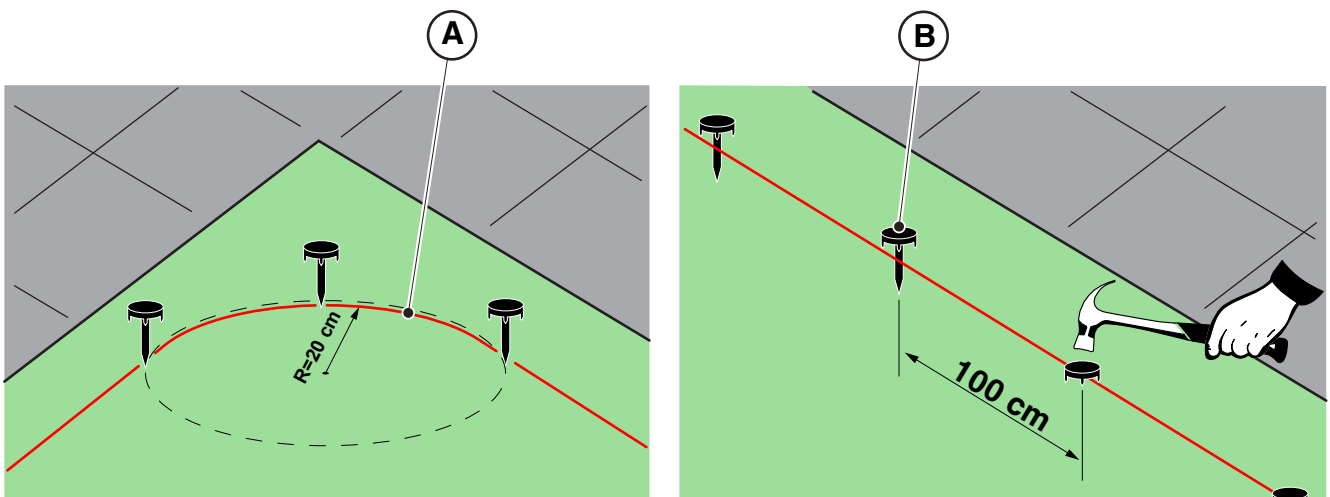
NOTE: In non-straight sections, make sure that the cable (A) does not get tangled. Position the cable in such a way as to form a regular curve with a radius of about 20 cm

NOTE: The perimeter cable used for installation must be at least 40 m. long. If the cable is shorter, it will be necessary to install the resistor for small perimeters. (See Par. 4.5.4. and Chap. 9 “Accessories”).



WARNING:

Make sure that the cable is in contact with the ground along its path to prevent the robot lawn mower from damaging it.




POSITIONING UNDERGROUND

(CARRIED OUT ONLY BY AUTHORIZED RETAILER)

Turning to a STIGA retailer, the perimeter cable can also be installed using a specific wire-laying machine, without using pegs.

4.5.2. JUNCTION OF THE PERIMETER CABLE.

 <p>CAUTION: Danger of cutting hands.</p>	 <p>CAUTION: Danger of dust in the eyes.</p>
---	--

Requirements and obligations:


- | | |
|---|---|
| <ul style="list-style-type: none"> • Joint for perimeter cable • Electrician's scissors • Pliers | <ul style="list-style-type: none"> • Gloves • Glasses |
|---|---|

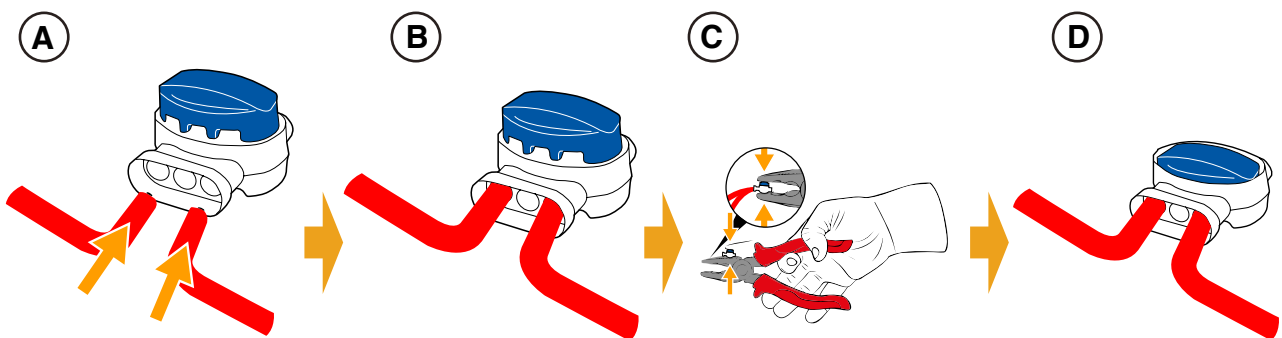
 <p>GLOVES OBLIGATION: Use protective gloves to avoid cutting your hands.</p>	 <p>GLASSES OBLIGATION: Use safety glasses to avoid the danger of dust in the eyes.</p>
---	---

During the installation of the cable or in case of accidental breakage, it may be necessary to make junctions.

Procedure:

1. Disconnect the charging base from the power supply.
2. Place the perimeter cable as per position (A).
3. Insert the ends of the cable into the joint as per position (B).
4. Fully press the button on the upper side of the joint using a pair of pliers as per position (C).
5. The perimeter cable is properly installed on the joint (D).

 **BAN:**
Do not use insulating tape or joints of any other type that do not guarantee correct insulation (cable lugs, terminals, etc.). The soil moisture causes oxidation and the interruption of the perimeter cable.



4.5.3. INSTALLATION OF THE CHARGING BASE

	CAUTION: Danger of cutting hands.		CAUTION: Danger of dust in the eyes.
	ELECTRICAL HAZARD: Connect the power supply only at the end of all the installation operations. If necessary during the installation, turn off the general power supply.		

Requirements and obligations:

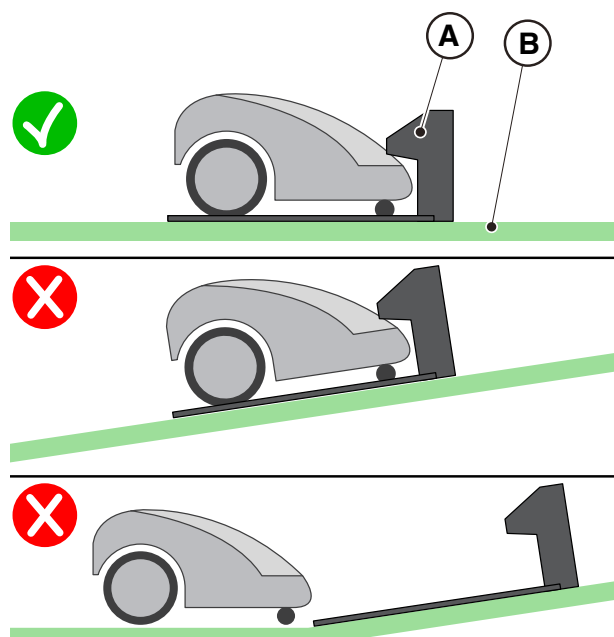
- Flat land
- Compact soil
- Charging base
- Perimeter cable
- Power supply
- Fixing pegs
- Screwdriver
- Hammer
- Electrician's scissors
- Gloves
- Glasses

	GLOVES OBLIGATION: Use protective gloves to avoid cutting your hands.		GLASSES OBLIGATION: Use safety glasses to avoid the danger of dust in the eyes.
--	---	--	---

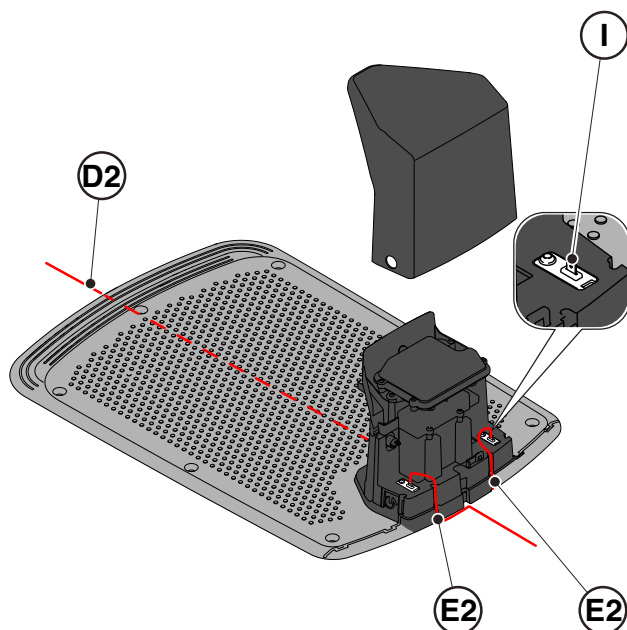
Install the charging base aligned with the perimeter cable so that the robot will be able to access it by navigating the perimeter cable clockwise.

Procedure:

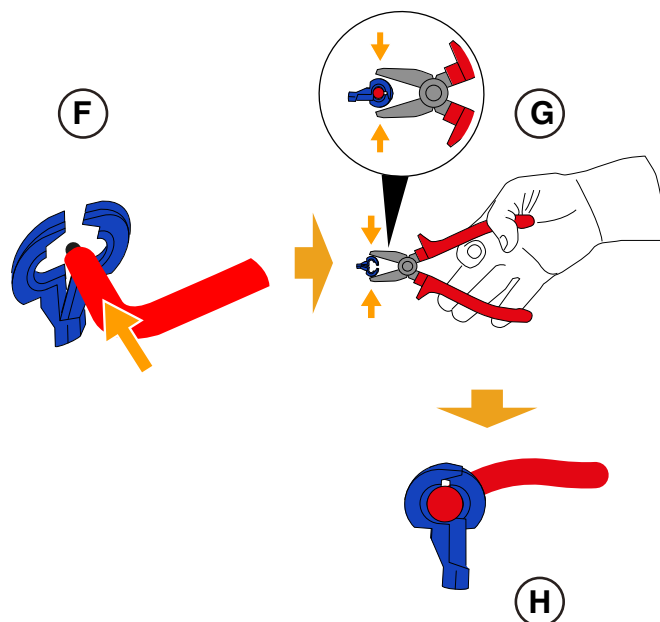
1. Check the installation requirements as indicated in par. 4.3.
2. If necessary, prepare the ground so that the surface of the charging base (A) is at the same level as the lawn (B), the ground must be perfectly flat and compact in order to avoid deformation of the surface of the charging base.
3. Remove the cover (C).



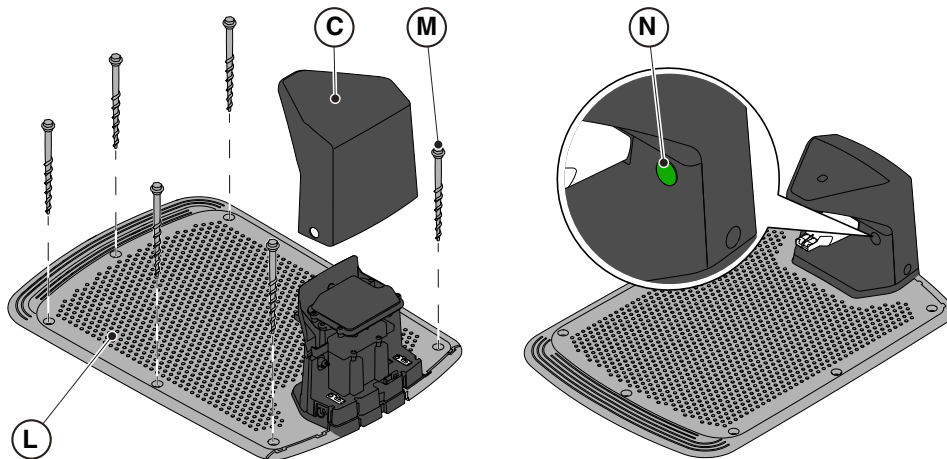
4. Install the charging base aligned with the perimeter cable (D2) so that the robot will be able to access it by navigating the perimeter cable clockwise.
5. Insert the two ends of the cable into the appropriate slots (E2).



6. Cut the ends of the cables to the exact length.
7. Apply the self-drilling connectors on the cable (F), (G), (H).



8. Connect the connectors to the terminals (I).
9. Secure the charging base (L) to the ground with the fixing screws (M).
10. Reposition the cover (C).
11. Connect the power supply connector to the charging base and then insert the power supply plug into the electrical outlet.
12. When the robot lawn mower is not in the charging base, make sure that the indicator light on the charging base (N) is lit with a fixed light (see Par. 5.4).



WARNING:

The power cable, power supply unit, extension cord and all other electric cables which do not belong to the product must remain outside the cutting area to maintain their distance from hazardous moving parts and prevent damage to cables which may come into contact with live parts.

NOTE: If necessary, it is possible to extend the power cable to the charging base by using the extension cables. It is permitted to use a maximum of two 5-metre extension cables or one 15-metre extension cable. (See Chap. 9 “Accessories”).

4.5.4. RESISTOR INSTALLATION FOR SMALL PERIMETERS

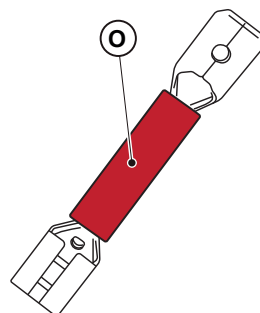
Requirements and obligations:

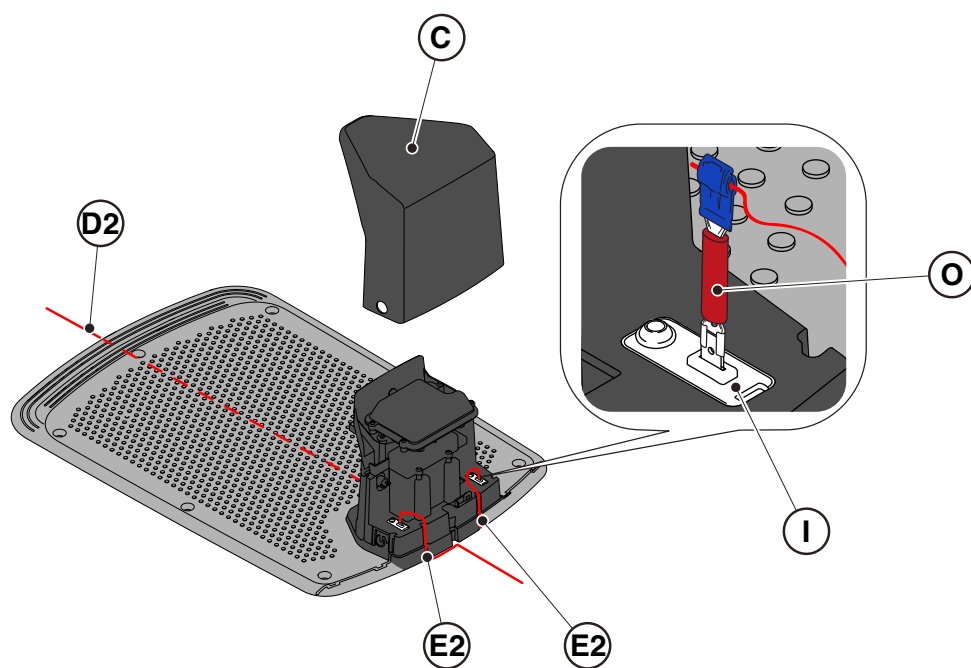
The perimeter cable used for the installation of the robot lawn mower must be at least 40 metres long. If the cable length is shorter, it is necessary to connect in series the resistor (See Ch. 9 “Accessories”) with the perimeter cable.

Procedure:

After having positioned and secured the charging base correctly (see par. 4.5.3), proceed as follows:

1. Remove the cover (C).
2. Cut the ends of the cables to the exact length.
3. Apply the self-drilling connectors on the cable (F), (G), (H). (See Par. 4.5.3).
4. Connect the resistor (O) to the terminal (I) of the charging base.
5. Connect the respective perimeter cable to the resistor (O).
6. Connect the other perimeter cable directly to the other terminal of the charging base.





4.6. CHARGING THE ROBOT LAWN MOWER AFTER INSTALLATION

Requirements and obligations:

- charging base.

Procedure:

1. Recharge the robot lawn mower (See Par 5.5).

NOTE: When charged for the first time, the batteries must remain connected for at least 2 hours.

4.7. PRODUCT SETTINGS

Requirements and obligations:

The automatic operation of the robot lawn mower requires a series of settings that can be made via mobile device (smart phone) iOS or Android with the "STIGA GO" App installed.

The iOS app is downloadable from the iOS App Store. The Android app is downloadable from the Google Play Store.

The following functions can be set up from the app. Check the table of contents to see which functions are available for your model:

- Start, stop and force the robot lawn mower to return to the charging base.
- Select the work mode in a closed area that cannot be reached autonomously by the robot lawn mower.
- Select the Scheduled Job / Single Cutting Cycle mode.
- Schedule Working Hours for the days of the week.
- Set the Work Start Points to make cover the garden uniformly.
- Set the days of the week to perform the edge trimming.
- Enable a low energy eco mode.
- Enable and set the sensitivity of the Rain Sensor.
- Enable different users to use the robot lawn mower via app.
- Choose and contact your reference retailer.

TABLE OF CONTENTS PRODUCT SETTINGS

4.7.1. PRELOGIN	34
4.7.2. SIGN UP	34
4.7.3. PAIRING	34
4.7.4. REMOTE CONNECTIVITY AND SIM CARD ACTIVATION (DEPENDING ON THE MODEL)	34
4.7.5. DEVICE PAGE	34
4.7.6. CLOSED AREA	35
4.7.7. SETTINGS	35
4.7.8. SPOT CUT / SCHEDULED.....	35
4.7.9. MOWING SESSIONS.....	35
4.7.10. GO-TO CUT POINTS	35
4.7.11. BORDER CUT	36
4.7.12. ECO MODE.....	36
4.7.13. RAIN SENSOR (DEPENDING ON THE MODEL).....	36
4.7.14. APP LOCK.....	36
4.7.15. INTEGRATION WITH VOICE ASSISTANTS (AMAZON ALEXA) (DEPENDING ON THE MODEL).....	37
4.7.16. ANTI-THEFT DEVICE (DEPENDING ON MODEL)	37
4.7.17. PERIMETER SIGNAL CHANGE	37
4.7.18. RUN BESIDE WIRE (DEPENDING ON THE MODEL)	37
4.7.19. FIRMWARE UPDATE.....	38
4.7.20. PROFILE / USER MANAGEMENT / CHOICE OF PREFERRED DEALER / MESSAGING	38

4.7.1. PRELOGIN

When accessing the app for the first time users can:

1. Access the information pages regarding STIGA retailers and products
2. Complete the first time user sign-up;
3. Complete the Log in for already registered users.

4.7.2. SIGN UP

The "Sign Up " section allows user registration and enables access to all functions of the app.

1. The user can log in through their Google, Facebook and Apple accounts, or create a new account by filling in the required fields .
2. The registration procedure requires an email verification.

4.7.3. PAIRING

The "Pairing" section allows you to pair your mobile device with the robot lawn mower via bluetooth[®] connection.

1. Press the "add" button to access the bluetooth[®] pairing pages.
2. Follow the set-up wizard to pair the product.
3. Once the association is completed, the main page of the product will be displayed.
4. Press the "device page" button to access the product page.
5. Press the "options" button to access the menu where users can rename, disassociate and connect the robot lawn mower, or download the user manual.

NOTE: If the robot lawn mower is not detected by the mobile device, check whether the robot lawn mower is switched on and is in close proximity to the mobile device. Make sure that the lawn mower robot is not already paired with another user.

4.7.4. REMOTE CONNECTIVITY AND SIM CARD ACTIVATION (DEPENDING ON THE MODEL)

The robot lawn mower is equipped with a 3G/4G connectivity module with SIM card that allows connection to the STIGA cloud and remote control of the robot lawn mower. After linking the device with the user account, the SIM card must be activated.

Procedure:

Follow the APP wizard guided procedure.

NOTE: The SIM card contained in the product is proprietary. The product is only able to connect to the STIGA cloud via the supplied SIM card. Do not use other SIM cards.

4.7.5. DEVICE PAGE

The "Device Page" section allows the user to check the robot lawn mower's status, to start it up for work or to force its return to the charging base.

1. Press the "start" button to start the robot lawn mower.
2. Press the "stop" button to stop the robot lawn mower.
3. Press on the "return to base" button to force the robot lawn mower to return to base.
4. Press on the "closed area" button to start the robot lawn mower working in an area that it cannot reach independently. (See Par. 4.7.5).

4.7.6. CLOSED AREA

NOTE: Check the availability of this function on the STIGA.GO App.

The "Closed Area" section allows to start the robot lawn mower in an enclosed area normally excluded from the work area because it is not reachable, but in any case delimited by the perimeter cable. (See Par. 4.4.3).

1. Press the dedicated button to choose the "Closed Area" mode.
2. Place the robot lawn mower inside the closed area and follow the guided procedure.

NOTE: The user can select whether to have the robot lawn mower work for the full duration of the battery life or for a shorter time set manually.

4.7.7. SETTINGS

The "Settings " section provides access to the robot lawn mower's settings screen.

1. Press the "settings" button to enter Settings mode.
2. Select the function to be set-up.

4.7.8. SPOT CUT / SCHEDULED

The "Spot Cut / Scheduled" selector allows the user to activate or deactivate the programmed work schedule.

The number of weekly hours to schedule are suggested by the app according to the size of the garden.

1. If set to "Scheduled" the robot lawn mower works according to the scheduled work program.
2. If set to "Spot Cut" the robot lawn mower works in a single work cycle.

4.7.9. MOWING SESSIONS

The "Mowing sessions" section allows you to program the time and working days of the robot lawn mower. The number of weekly hours to schedule are suggested by the app according to the size of the garden.

1. Press on the "spot cut/scheduled" selector switch to enter the working hours set up menu and select a day of the week.
2. Press the "add cutting time" button to add a new work schedule.
3. Enter the work start and end times then confirm.
4. The user has the option of applying the same working hours to several days of the week.
5. The working time will be displayed on its scheduled weekday. By pressing on each working time it is possible to copy or delete it.

NOTE: The built-in clock of the robot lawn mower is automatically synchronised with the time on the mobile device whenever the robot is connected to the App via Bluetooth®.

4.7.10. GO-TO CUT POINTS

NOTE: Check the availability of this function on the STIGA.GO App.

The "Go-To-Cut Points" section allows you to set one or more starting points for the robot lawn mower's work in order to improve coverage in the different areas of the garden (see Par. 4.4). The number of settable start points depends on the model of the robot lawn mower.

The work start points are defined using the following parameters:

- Distance from the starting point to the charging base measured along the perimeter wire.

- Direction to reach the work point (clockwise or anticlockwise).
- The frequency at which the work point is reached expressed as a % of the total working time scheduled weekly.

4.7.11. BORDER CUT

The "Border cut" section allows to program the border cutting of the garden on a certain day.

1. Choose the days in which to perform the border cut.
2. Press the dedicated button to enable the function.

NOTE: The border cut can be activated only for the days of the week in which the robot lawn mower has been scheduled to work.

4.7.12. ECO MODE

NOTE: Check the availability of this function on the STIGA.GO App.

The 'Eco mode' function allows the user to set a low-energy mode by proportionally reducing the working time of the robot lawn mower compared to the time programmed by the user.

NOTE: It is advisable to use this function at times of the year when the grass grows more slowly.

4.7.13. RAIN SENSOR (DEPENDING ON THE MODEL)

The "Rain Sensor" function allows to enable or disable the rain sensor on the robot lawn mower. The rain sensor can be set to three different sensitivity levels. The higher the sensitivity the longer the permanence in the base in case of rain.

Low sensitivity: 4 hours,
Medium sensitivity: 8 hours,
High sensitivity: 12 hours,

1. Press the dedicated button to enable the function.
2. Select one of the three available rain sensor sensitivity levels.

4.7.14. APP LOCK

In order to prevent the robot lawn mower from being used by children or unauthorised persons, the keypad can be locked. This will allow the robot lawn mower to be controlled solely via the App.

Procedure:

1. Activate or deactivate the Keypad/App Lock function from the app's 'settings' menu.

NOTE: When the function is active, the keypad lock remains active even if the robot lawn mower is switched off.

4.7.15. INTEGRATION WITH VOICE ASSISTANTS (AMAZON ALEXA) (DEPENDING ON THE MODEL)

The integration with a voice assistant makes it possible to interact with the robot lawn mower according to the options available in the app, for example:

- Starting a work session.
- Stopping the robot lawn mower while mowing the lawn and resuming work.
- Force the robot lawn mower to return to its charging base.
- Ask about the next scheduled start time.
- Ask about the robot lawn mower's status.

NOTE: integration of the robot lawn mower with a voice assistant is not done via the Stiga.GO app, but must be set up via the voice assistant app itself.

4.7.16. ANTI-THEFT DEVICE (DEPENDING ON MODEL)

This function allows the user to receive a warning notification when the robot lawn mower is distant from the work area. If the function is active, the robot lawn mower will continuously monitor its distance from the virtual perimeter. When the robot lawn mower is moved away from the perimeter:

- the robot sends a notification to the user's mobile device through the Stiga.GO App.
- On the app, it is possible to view the actual position of the robot and track its movements.
- It is not possible to start the robot lawn mower to work as long as it is outside its virtual perimeter.

NOTE: the Anti-Theft function remains active even if the robot lawn mower is switched off. In this case, a theft notification and the location of the robot lawn mower are sent once the robot is switched on.

Procedure:

1. Activate the function from the app's "settings" menu. Ensure that Stiga.GO App notifications have been activated on the mobile device.
2. Activate the 'Anti-theft' notification in the sidebar of the Stiga.GO App.

4.7.17. PERIMETER SIGNAL CHANGE

The 'change channel' function allows you to change the channel of the signal transmitted by the perimeter cable. This is necessary if you notice interference between two or more nearby installations

NOTE: changing the perimeter channel must be carried out when the robot lawn mower is in the charging base.

Procedure:

1. Place the robot lawn mower on the charging base.
2. Follow the APP setup wizard to select one of the 3 available channels.
3. If the robot lawn mower continues to malfunction due to interference with other nearby installations, select a different channel.

4.7.18. RUN BESIDE WIRE (DEPENDING ON THE MODEL)

The "Run beside wire" function is used to set the maximum navigation distance from the perimeter cable during the return to the base and when reaching the starting go-to-cut points.

The robot lawn mower will navigate at a variable distance from the cable, according to the settings; this will reduce wheel traces on the the lawn and reduce the return to the charging base time.

Three different distance ranges can be set. The distance to the wire is varied slightly with each work cycle to further reduce the formation of wheel traces on the lawn.

NOTE: If there are corridors or bottlenecks in the garden (see par. 4.4.3), once the 'Run beside wire' function has been enabled, check that the robot lawn mower is able to reach all cutting areas, navigate these areas correctly and return to the charging base from any point in the garden. If the robot lawn mower has difficulty reaching certain cutting areas via go-to-cut points or returning to the charging base, the set distance must be reduced or the 'Run beside wire' function must be disabled. .

NOTE: The distance to be set varies depending on any obstacles in the garden, particularly if they are located close to the perimeter

Procedure:

1. Activate or deactivate the “Run Beside Wire” function from the app's 'settings' menu.
2. Select the desired distance from the 3 available.

4.7.19. FIRMWARE UPDATE

Firmware updates for the product, if available, shall be displayed on the product display page under 'Garage'.

Available updates are performed in sequential order: robot lawn mower, reference station, charging base. During the update, the phone must be kept close to the device being updated.

The update of each device may take between 10 to 20 minutes.

The user can also access the menu on the product display page under "Garage" to check for updates and force a firmware update.

4.7.20. PROFILE / USER MANAGEMENT / CHOICE OF PREFERRED DEALER / MESSAGING

From the "Profile" section, users can edit their account details and change their password.

The main user who completes the first time user sign-up can invite and manage other users of the robot lawn mower.

The invited user must download the App on their mobile device and must register.

The "Dealer" section allows to choose the reference service centre.

The “Messages” section allows to view messages \ information.

5. OPERATION

Requirements and obligations:

- Installation completed according to instructions (See Ch. 4)
- Powered charging base
- Battery charged (See Par. 5.5)
- Programming the robot lawn mower according to the instructions (See Par. 4.7 for automatic function)
- Initial grass height in the range of operation of the robot lawn mower: 20-60 mm
- Cutting height suitably adjusted (See Par. 5.6).

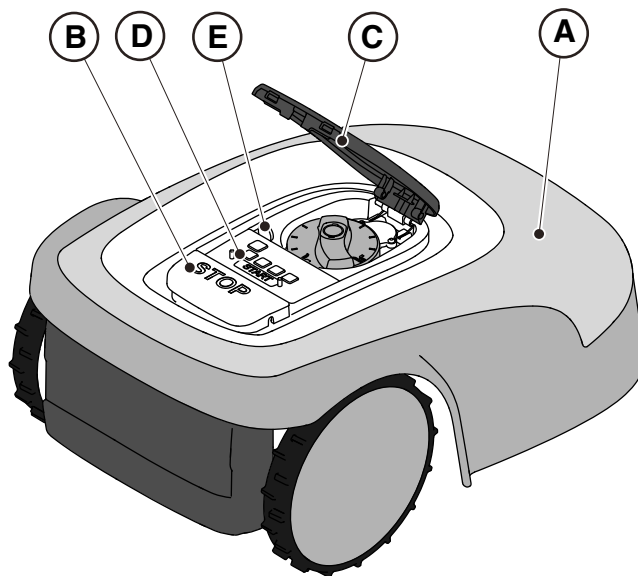
5.1. CHECK OF SAFETY DEVICES FOR STARTING THE ROBOT LAWN MOWER

Requirements and obligations:

- Safety key.

Procedure:

1. Check that the floating cover (A) is fitted correctly. If the cover is missing the robot lawn mower doesn't work.
2. Check that the safety key (E) is inserted. If it is not inserted the robot lawn mower doesn't start.
3. Check that the stop button "**STOP**" (B) is not active. If pressed, it stops the robot lawn mower and opens the protective cover (C) of the control console (D).
4. Check that the robot lawn mower is positioned on the ground correctly. In the event of excessive tilting ($\geq 45\%$ or $>50\%$) and lifting, the tilt sensors (inclinometer) will stop the robot lawn mower.

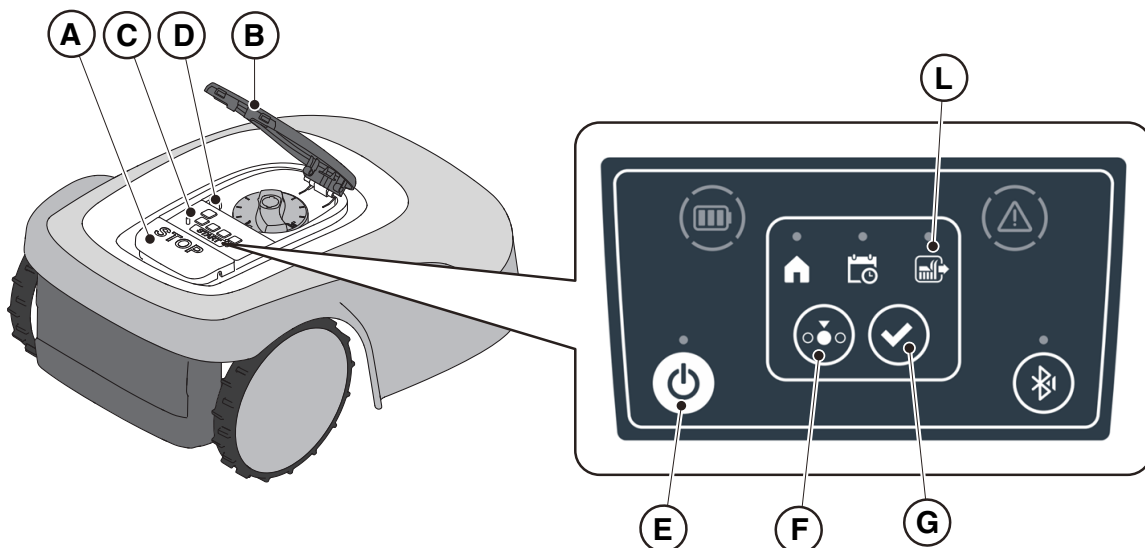


5.2. MANUAL FUNCTIONING OF THE ROBOT LAWN MOWER

The robot lawn mower can be used without performing the programming procedure described in Par. 4.7. In this mode the robot lawn mower carries out a work cycle, returns to the charging base and remains there until the next manual start.

Procedure:

1. Place the robot lawn mower on the charging base or within the perimeter of the installation.
2. Press the **"STOP"** button (A) to open the cover (B) and access the control console (C).
3. Press the **"ON/OFF"** button (E) for 5 seconds to switch on the robot lawn mower.
4. Press the **"SELECT MODE"** button (F) until only the icon (L) flashes.
5. Press the **"CONFIRM"** push button (G). The icon (L) lights up with a steady light to confirm the operation.
6. Close the cover (B).
7. The robot lawn mower will start operating.



NOTE: this mode may not guarantee adequate coverage of the garden, both in terms of time required and in terms of uniformity of the cutting result, especially if the garden has an irregular shape. To achieve the maximum efficiency of the robot lawn mower, it is recommended to carry out programming (See par. 4.7).

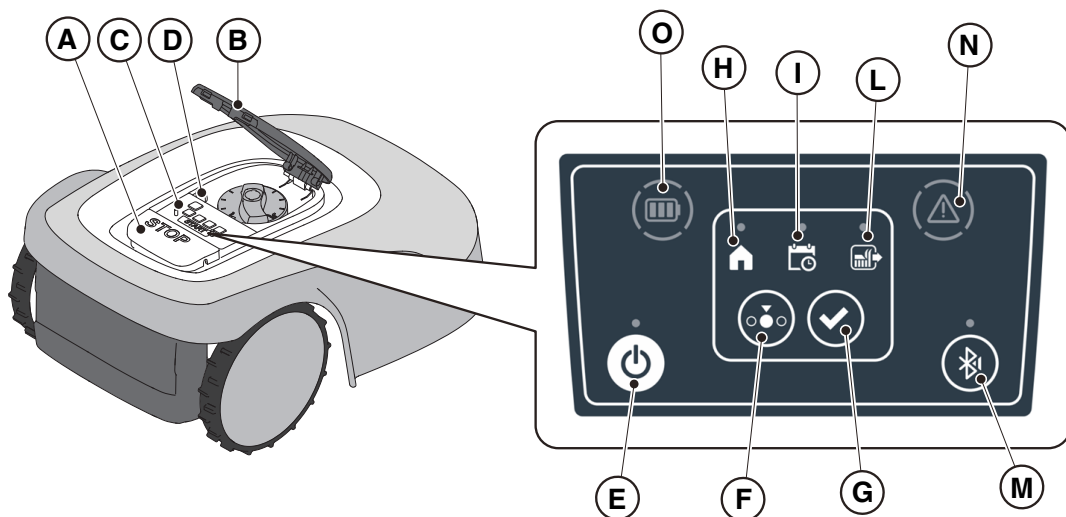
NOTE: If after pressing the **"CONFIRM"** button (G), the **"SELECT MODE"** button (F) is pressed, the icons for the selected functions will start flashing again, requesting confirmation of the newly selected function. Press the **"CONFIRM"** button (G). The icons will once again light up with a steady glow.

NOTE: if the cover (B) is opened, either during work or with the robot in the base, the icons relating to the selected functions will flash, to indicate that it is necessary to confirm the operation before closing the cover again. If the cover is closed without pressing the **"CONFIRM"** button (G), the robot will not perform any operation until a new command is given by the user.

5.3. DESCRIPTION OF THE CONTROLS ON THE ROBOT LAWN MOWER

List of controls, indicators and their function:

- The “**STOP**” button (A): is used to safely stop the robot mower.
- The “**SAFETY KEY**” (D): is used for the safety shut-down of the robot lawn mower.
- The “**ON/OFF**” button (E): is used to turn the robot lawn mower on and off and resetting the alarms..
- The “**MODE SELECTION**” button (F): is used to select the operating mode of the robot lawn mower and to force it to return to the charging base.
- The “**CONFIRM**” button (G): is used to confirm the operating mode set.
- The “**SCHEDULED PROGRAM**” light icon (I): is used to display the scheduled program settings.
- The “**SINGLE WORK CYCLE**” light icon (L): is used to display the single work cycle settings.
- The “**RETURN TO BASE**” light icon (H): is used to display the forced return-to-base setting of the robot lawn mower.
- “**BLUETOOTH®**” button (M): is used only by the service centre for diagnostic purposes.
- The “**ALARM**” light icon (N): is used to display the alarms status.
- The “**BATTERY**” light icon (O): is used to display the battery charging.

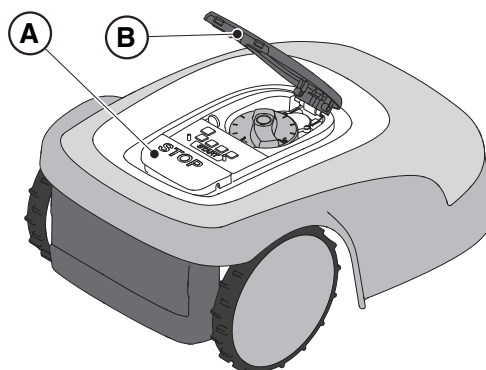


5.3.1. SAFE STOP - STOP BUTTON

The “**STOP**” button (A) is a control that stops the robot lawn mower in safety conditions, whatever its operating condition is.

Procedure:

1. Press the “**STOP**” button (A) while the robot lawn mower is moving or already still.
2. When the “**STOP**” button (A) is pressed, the robot lawn mower stops and the cover (B) opens, allowing access to the other robot controls.



5.3.2. SAFE SHUTDOWN - SAFETY KEY

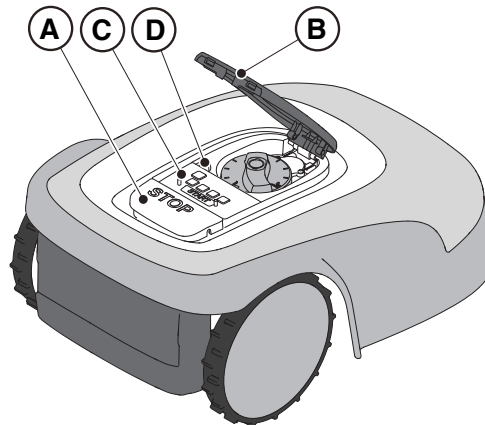
The safety key (D), by switching off, allows the robot lawn mower to be switched off safely.



OBLIGATION:
Always remove the safety key before any operation of cutting height adjustment, cleaning, transport and maintenance

Procedure:

1. Press the **"STOP"** button (A) to open the cover (B) and access the control panel (C).
2. Switch off the robot lawn mower in safety conditions (see par. 2.3).
3. After carrying out the maintenance operations, insert the safety key to be able to switch on the robot lawn mower.



5.3.3. SWITCHING THE ROBT LAWN MOWER ON AND OFF - ON / OFF BUTTON

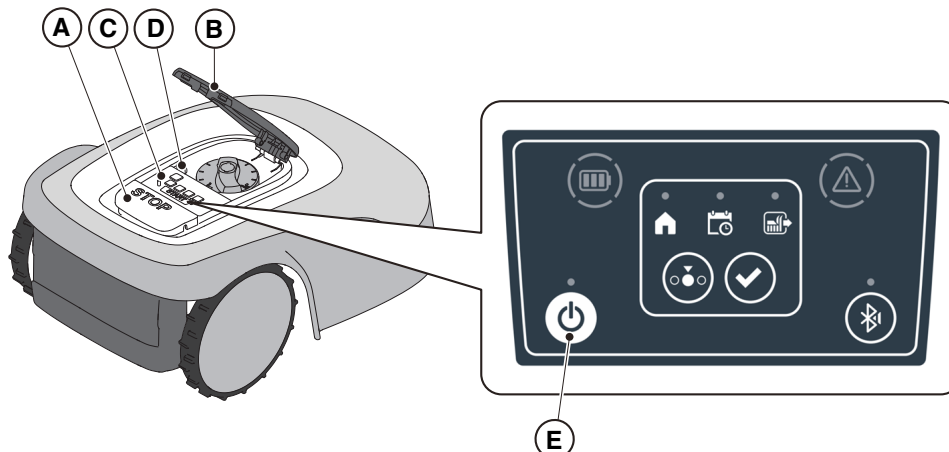
The **"ON / OFF"** button (E) allows to switch the robot lawn mower on and off manually.

Procedure:

1. Press the **"STOP"** button (A) to open the cover (B) and access the control panel (C).
2. Press the **"ON/OFF"** button (E) for 5 seconds to switch on the robot lawn mower or to switch it off.

NOTE: To switch on the robot lawn mower, the safety key (D) must be inserted.

NOTE: In case of active alarms, a double press of the **"ON/OFF"** button will reset the alarms.



5.3.4. SCHEDULED PROGRAMME SELECTION / SINGLE WORK CYCLE / FORCED RETURN TO CHARGING BASE - MODE SELECTION BUTTON

The "MODE SELECTION" button is used to activate or deactivate the set work program via the App and to select the forced return to the charging base. The robot lawn mower operates according to the possible selections described below.

KEYBOARD SELECTIONS AND ROBOT OPERATION

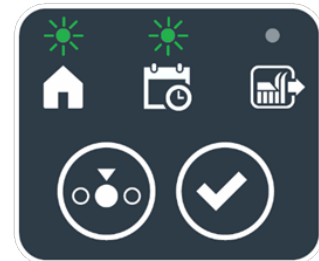
SCHEDULED PROGRAM

The robot lawn mower operates according to the programming set via the app.



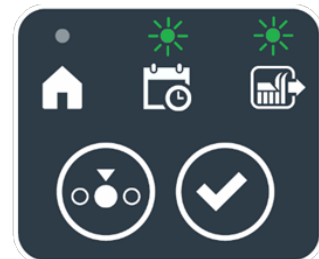
RETURN TO BASE + SCHEDULED PROGRAM

The robot lawn mower returns to the charging base. The robot lawn mower will resume working from the following set start time.



SINGLE WORK CYCLE + SCHEDULED PROGRAM

The robot lawn mower performs a single forced work cycle and returns to the charging base when finished. The robot lawn mower will resume working from the following set start time.



SINGLE WORK CYCLE

The robot lawn mower performs a single forced work cycle and returns to the charging base. The robot lawn mower stays in the base until the user intervenes manually.



RETURN TO BASE + SINGLE WORK CYCLE

The robot lawn mower returns to the charging base. The robot lawn mower stays in the base until the user intervenes manually.



Procedure:

1. Press the **“STOP”** button (A) to open the cover (B) and access the control console (C).
2. Press the **“MODE SELECT”** button (F) until the icons of the functions you wish to activate flash. The icons relating to the selected functions flash.
3. Press the **“CONFIRM”** push button (G). The icons of the selected functions light up steadily to confirm the action.
4. Close the cover (B).
5. The robot lawn mower will start working according to the set mode.

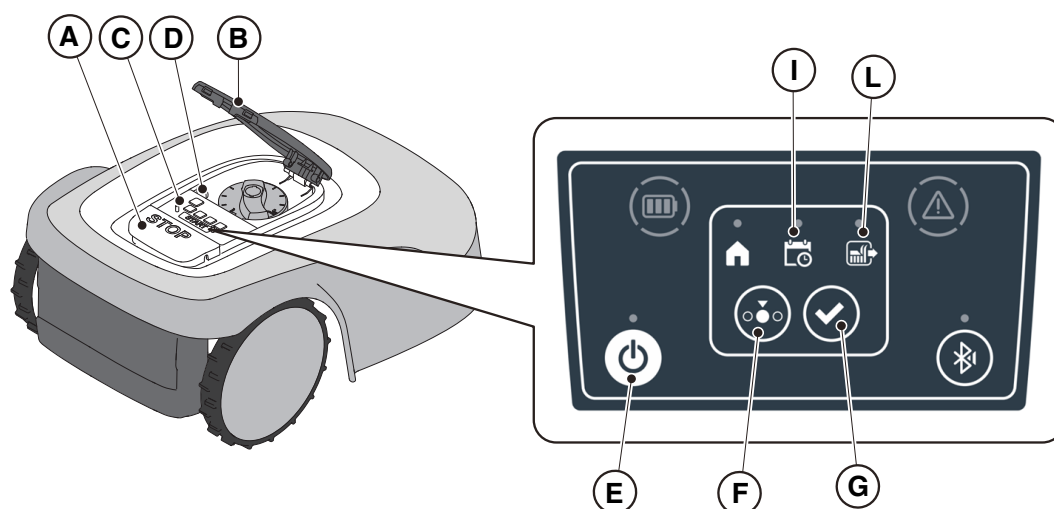
NOTE: If after pressing the **“CONFIRM”** button (G), the **“SELECT MODE”** button (F) is pressed, the icons for the selected functions will start flashing again, requesting to confirm the newly selected function. Press the **“CONFIRM”** button (G). The icons return to a steady light.

NOTE: if the cover (B) is opened, either during work or with the robot in the base, the icons relating to the selected functions will flash, to indicate that it is necessary to confirm the operation before closing the cover again. If the cover is closed without pressing the **“CONFIRM”** button (G), the robot will not perform any task until a new command is given by the user.

NOTE: If the robot battery is low, the battery icon flashes red to indicate that the selected action cannot be performed.

NOTE: The robot lawn mower starts only after closing the cover (B).

NOTE: The robot lawn mower goes to the charging base with the cutting device switched off.

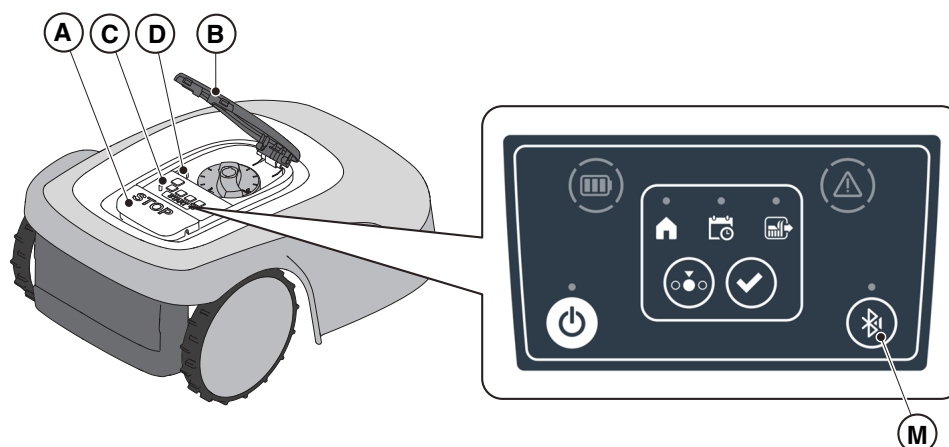


NOTE: The robot lawn mower can be used in **“SINGLE WORK CYCLE”** mode even without programming the working hours via the App. This mode may not guarantee adequate coverage of the garden, both in terms of time required and in terms of uniformity of the cutting result, especially if the garden has an irregular shape. To achieve the maximum efficiency of the robot lawn mower, it is recommended to carry out programming (See par. 4.7).

5.3.5. BLUETOOTH® STATUS DISPLAY - BLUETOOTH® BUTTON

The robot lawn mower handles automatically the Bluetooth® connection with external mobile devices. The Bluetooth® connection is available at all times when the robot lawn mower is switched on. It is only possible to connect one mobile device at a time to the robot lawn mower via Bluetooth®. The robot lawn mower automatically disconnects from the device when the app is closed. The 'BLUETOOTH®' button (M) is used only by the service centre for diagnostic purposes.

NOTE: For pairing the device with the robot lawn mower via Bluetooth®, see (Par. 4.7.3 Pairing).



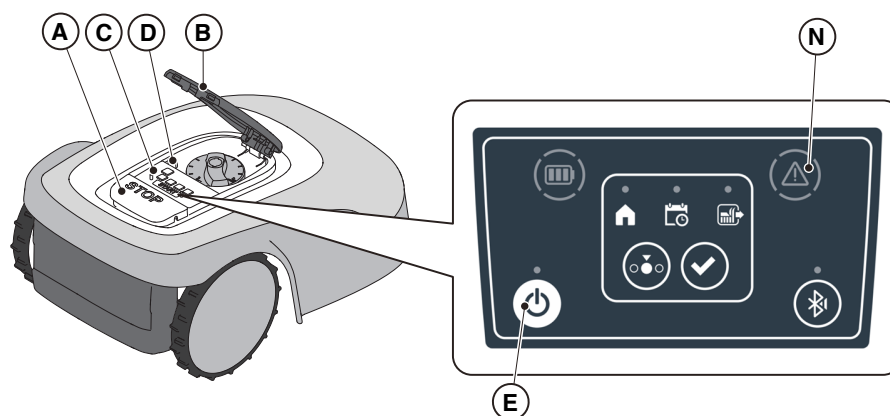
5.3.6. DISPLAY OF ALARM STATES-ALARM ICON

The “ALARM” light icon (N) indicates an operating anomaly.

Procedure:

1. Press the “STOP” button (A) to open the cover (B) and access the control panel (C).
2. Check the alarm status through the red light icon (N), which can be lit either steady or flashing.
3. After resolving the fault, press the "ON/OFF" button (E) twice in rapid succession to reset the alarm. The light icon (N) goes out, and the robot lawn mower can be restarted. If the icon (N) does not go off, turn off the robot lawn mower using the “ON/OFF” button (E), wait a few seconds and then switch the robot lawn mower on again using the "ON/OFF" button (E). If the problem persists, contact a service centre.

NOTE: Details about anomalies are viewable on the App.



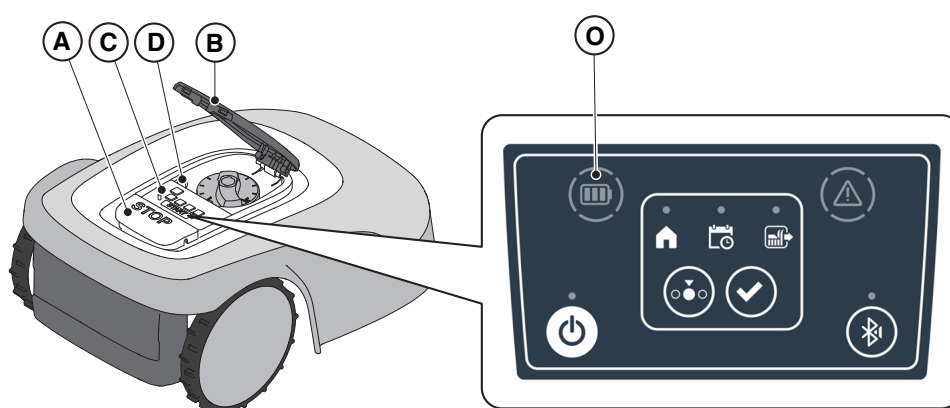
5.3.7. BATTERY CHARGE DISPLAY - BATTERY ICON

The “**BATTERY**” light icon (O) indicates the battery charge status.

Procedure:

1. Press the “**STOP**” button (A) to open the cover (B) and access the control panel (C).
2. Check the battery charging status through the light icon (O):
 - Blue icon: the battery is charged (charge level >40 %).
 - Red icon: the battery is charging (charge level 15-40 %).
 - Flashing red icon: the battery charge is low (charge level <15%).
3. If the robot lawn mower is charging, the light icon (O) flashes.

NOTE: if the battery icon (O) flashes rapidly red when a command is pressed, the operation cannot be carried out and it will be necessary to charge the battery manually (See Par. 5.5).



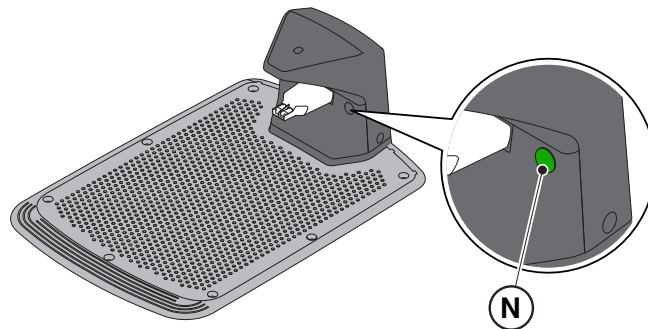
5.3.8. STARTING THE ROBOT LAWN MOWER

To start up the robot lawn mower, follow the procedure described in Par. 5.3.4 “SCHEDULED PROGRAM SELECTION / SINGLE WORK CYCLE / FORCED RETURN TO CHARGING BASE - MODE SELECTION BUTTON”.

5.4. FUNCTIONING OF THE CHARGING BASE

The charging base is equipped with an indicator light (N) that lights up in the following manner:

- Warning light off: the charging base is powered off or the robot is on the base;
- Fixed warning light: the perimeter cable is correctly connected to the charging base, and the perimeter signal is correctly transmitted;
- Indicator light flashing slowly: the perimeter cable is not connected or is interrupted (the perimeter cable integrity check is not performed continuously, but only every 30 seconds when the robot leaves the charging base or the base is powered);
- Warning light flashing quickly: the perimeter cable is too short (see Par. 4.5.4) or there is a fault in the charging base;
- Indicator light flashing rapidly twice or three times: the charging base has detected a short circuit on the charging contacts. (See Chap. 7).



5.5. BATTERY CHARGING

The "BATTERY CHARGING" procedure allows to recharge the robot lawn mower manually.

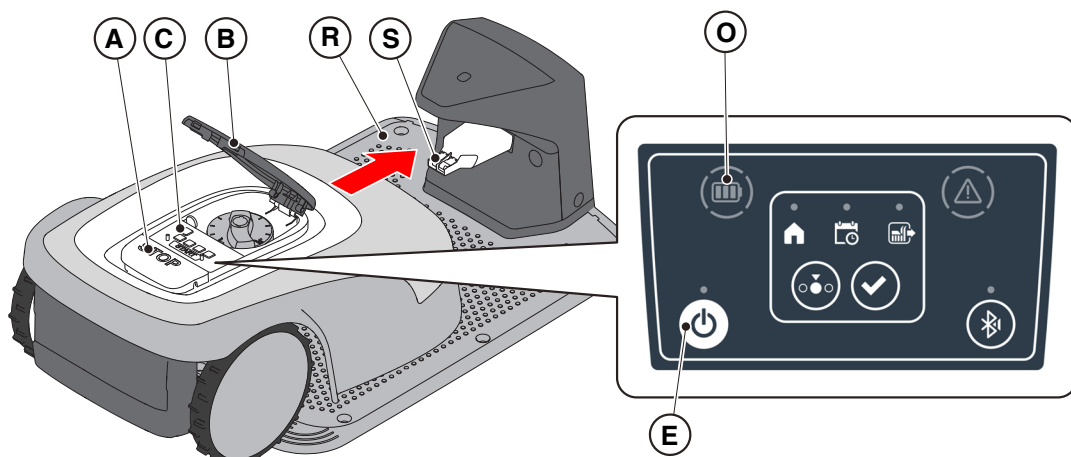
Requirements and obligations:

- charging base connected to the mains.

Procedure:

1. Position the robot lawn mower on the charging base (R).
2. Slide the robot lawn mower onto the charging base, until the charging connector (S) is engaged.
3. Press the "STOP" button (A) to open the cover (B) and access the control panel (C).
4. Turn the robot lawn mower on with the "ON/OFF" button (E).
5. A few seconds later, the "BATTERY" icon (O) flashes blue to indicate that the robot lawn mower is charging.
6. Close the cover (B).
7. Leave the robot lawn mower to charge for at least the time shown in Par. 4.6.

NOTE: Charging the battery before winter storage should be carried out as shown in Par. 6.4.



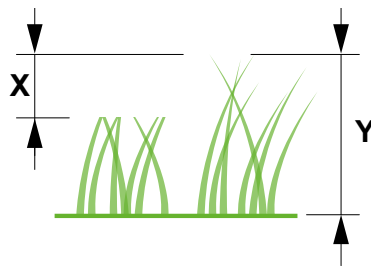
5.6. CUTTING HEIGHT ADJUSTMENT

The “**CUTTING HEIGHT ADJUSTMENT**” procedure describes how to adjust the height of the cutting blades.

- The length X of grass cut by the robot lawn mower must not exceed 10mm.
- The robot lawn mower's operating range is 20-60 mm (cutting height).
- The initial height of the grass Y must therefore be 70mm maximum.

At the first installation or at the beginning of the mowing season, if necessary, prepare the garden with a traditional lawn mower to bring the initial height of the grass to an appropriate value.

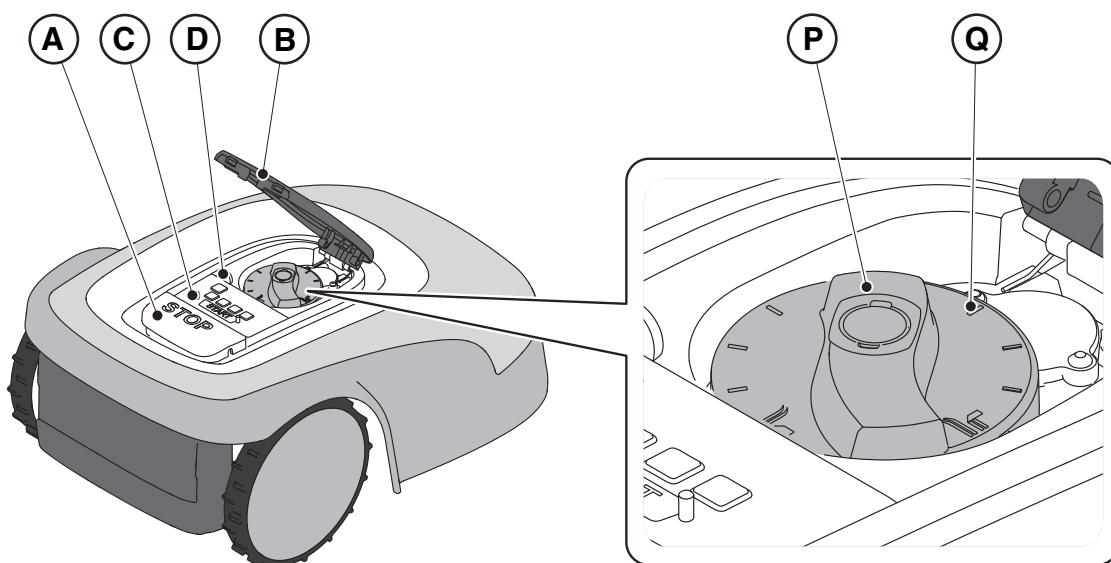
NOTE: If you want to cut the grass more than 10mm, adjust the cutting height so that the cut grass part is 10mm. Lower the cutting height further only after the garden has been mowed evenly.



Procedure (TYPE: SRSW01 - MODEL G 300, G 600, G 1200). MANUAL ADJUSTMENT:

1. Press the “**STOP**” button (A) to open the cover (B) and access the control panel (C).
2. Switch off the robot lawn mower in safety conditions (see par. 2.3).
3. Use the height adjuster (P) to select the desired cutting height so that the cut grass part is no more than 1 cm.
4. Insert the safety key (D).

NOTE: On the knob there is a scale graduated from 1 to 10 (Q) to be used as a reference.



Procedure (TYPE SRBW01 - MODEL G 3600). ELECTRICAL ADJUSTMENT

1. Follow APP wizard to adjust the cutting height.

NOTE: The blade height adjustment system requires an initial calibration and subsequent periodic calibrations, which are performed automatically. Calibration can also be performed manually using the dedicated menu in the App.

**CAUTION:**


Do not touch the cutting means when adjusting the cutting height.

**WARNING:**

In order to ensure the proper functioning of the blade height adjustment system, make sure that no grass residue or dirt accumulates in the vicinity of the blades and the blade motor protection bellows.

6. MAINTENANCE

6.1. SCHEDULED MAINTENANCE

	CAUTION: Only use original spare parts.		CAUTION: Do not modify, tamper with, elude or eliminate the safety devices installed.
---	--	---	--

For a better operation and longer life, be sure to clean the product regularly and replace worn parts.

Perform the interventions following the frequency indicated in the table.

FREQUENCY	COMPONENT	TYPE OF INTERVENTION	REFERENCE
Weekly or every 50 operating hours	Blade	Clean and check blade efficiency	(See Par. 6.2)
		If the blade is bent due to impact or if it's worn, replace it.	(See Par. 6.3)
	Recharging contacts	Clean and eliminate any oxidising.	(See Par. 6.2)
Monthly or every 100 operating hours	Robot lawn mower	Carry out cleaning.	(See Par. 6.2)
	Charging base and power cables	Check for wear or deterioration and replace if necessary.	(Contact an authorised service centre)
At the end of the mowing season or every six months if the robot lawn mower is not used	Battery	Perform the pre-storage charging of the battery.	(See Par. 6.4)
Annual or at the end of the cutting season	Robot lawn mower	Carry out the servicing at an authorized service centre.	(See Par. 6.1)

It is necessary to carry out a maintenance servicing annually at an authorized service centre to keep the robot lawn mower in good working conditions.

The servicing provides for a series of verifications including:

- the internal and external cleaning of the robot lawn mower;
- the general check of the status of the robot lawn mower;
- the replacement of worn parts;
- the checking of the battery status;
- the verification of tightening torques;
- the verification and possible replacement of the impact and lifting kinematic mechanisms and their protective bellows;
- the check and, if necessary, replacement of the rubber bellows protecting the blade motor, to maintain the protection specifications against water infiltrations
- the replacement of the sealing gaskets of the bodies and the battery compartment to maintain the specifications of protection against water infiltrations.

NOTE: any malfunction due to not having carried out the annual servicing will not be recognized under warranty.

6.2. PRODUCT CLEANING

	CAUTION: Danger of cutting hands.		CAUTION: Danger of dust in the eyes.
---	---	---	--

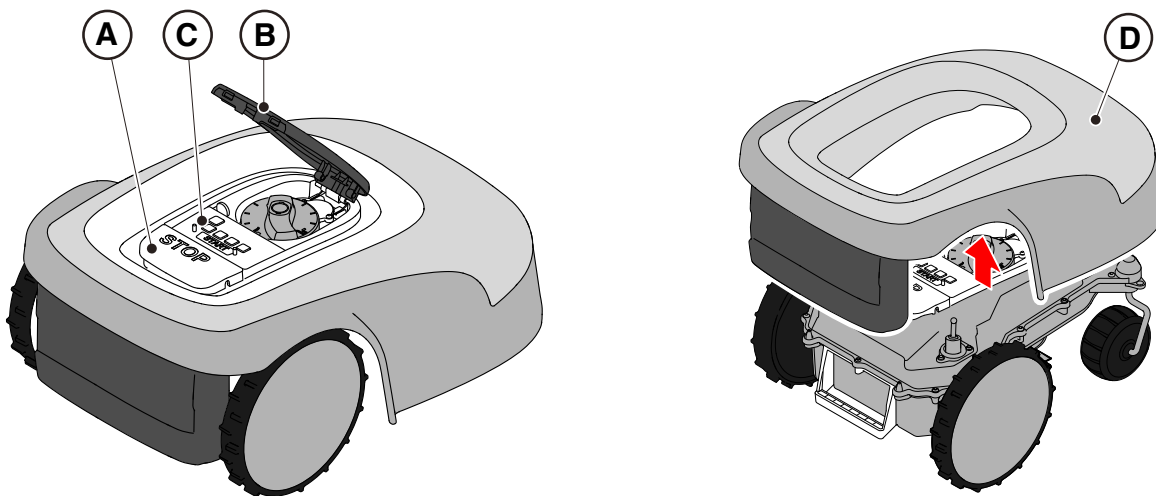
Requirements and obligations:

- | | |
|--|--|
| <ul style="list-style-type: none"> • Sponge • Neutral soap • Brush • Water | <ul style="list-style-type: none"> • Dry cloth • Gloves • Glasses |
|--|--|

	GLOVES OBLIGATION: Use protective gloves to avoid cutting your hands.		GLASSES OBLIGATION: Use safety glasses to avoid the danger of dust in the eyes.
---	---	---	---

Procedure:

1. Press the “**STOP**” (A) button to stop the robot lawn mower and open the protective cover (B).
2. Switch off the robot lawn mower in safety conditions (see par. 2.3).
3. Remove the floating cover (D) to make the cleaning easier.
4. Clean all the external surfaces of the robot lawn mower with a sponge dampened in lukewarm water and neutral soap.



WARNING:
 Too much water can filter in and damage electrical parts.



WARNING:
 Do not modify, tamper with, elude or eliminate the safety devices installed.



BAN:
 Do not use pressurized water jets.



BAN:

To avoid irreversible damage to the electrical and electronic components, do not immerse the robot lawn mower, partially or completely, in water.



BAN:

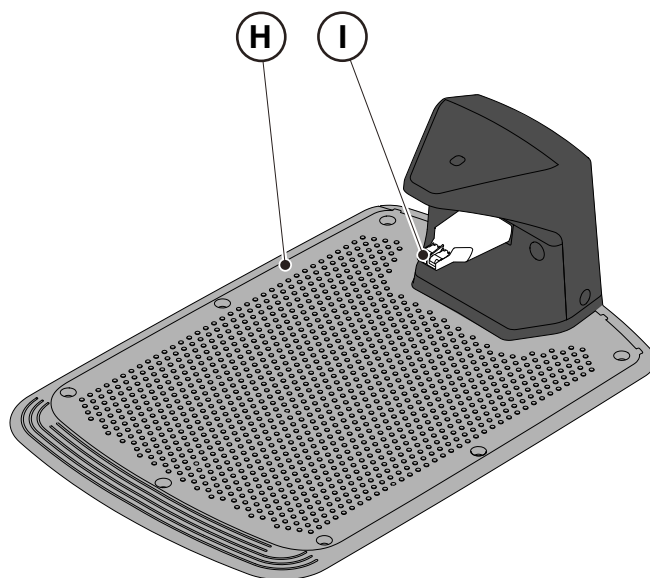
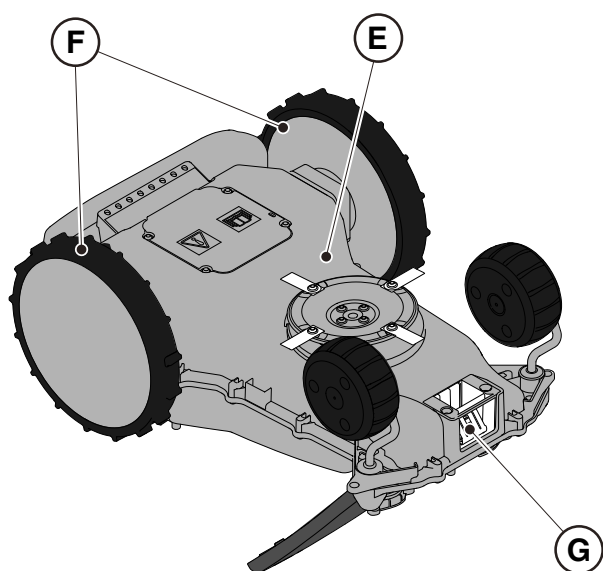
Do not wash the internal parts of the robot lawn mower to avoid damaging the electrical and electronic components.



BAN:

Do not use solvents or petrol so as not to damage varnished surfaces and plastic parts.

5. Remove mud and dirt from the drive wheels (F).
6. Clean the underside (E) of the robot lawn mower (cutting blade area, front and rear wheels). Use a suitable brush to remove encrustations and / or debris that could prevent the robot lawn mower from working properly. Complete the cleaning with a damp sponge.
7. Put the floating cover (D) back on, making sure that it is correctly fastened to the supports.
8. Clean the battery charging connector (G).
9. Clean the charging base (H) and the contact connector (I) from accumulated residues.



6.3. REPLACEMENT OF THE CUTTING BLADES



CAUTION:
Danger of cutting hands.

Requirements and obligations:

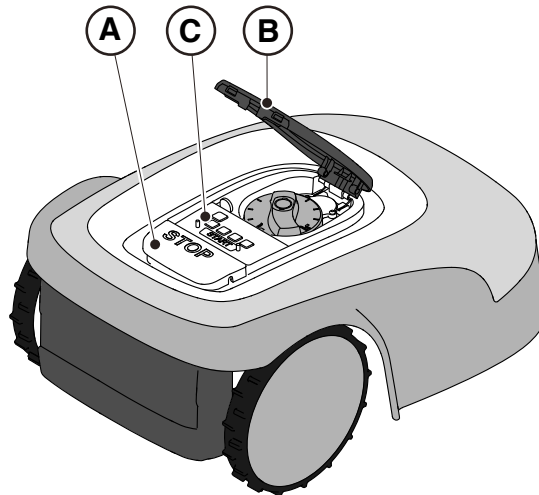
- Safety key
- Cutting blades
- Key
- Gloves



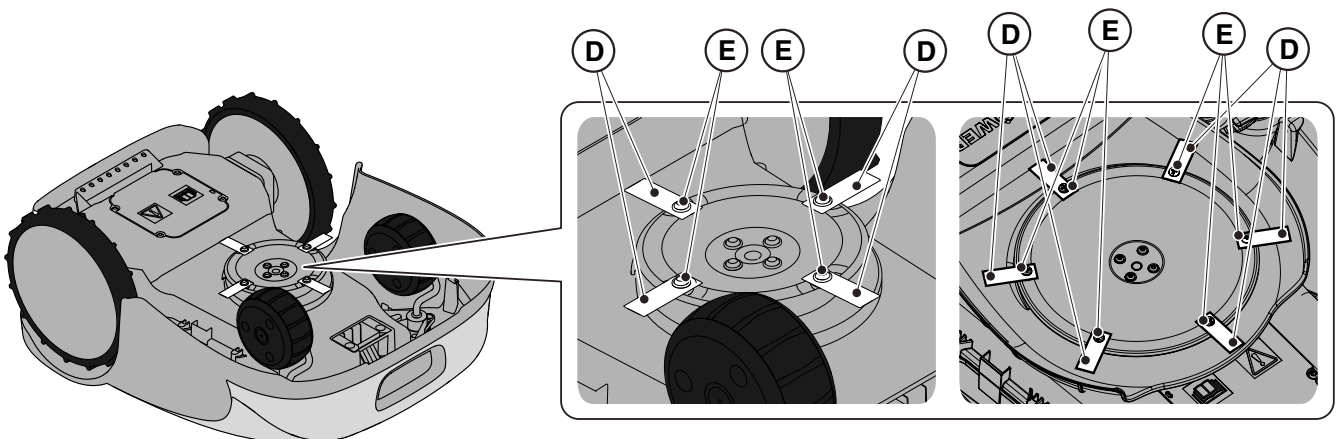
GLOVES OBLIGATION:
Use protective gloves to avoid cutting your hands.

Procedure:

1. Press the “STOP” (A) button to stop the robot lawn mower and open the protective cover (B).
2. Switch off the robot lawn mower in safety conditions (see par. 2.3).



3. Turn the robot lawn mower upside down, taking care in not to damage the floating cover.
4. Unscrew the fixing screws (E).
5. Replace the cutting blades (D).
6. Unscrew the fixing screws (E).



G 300, G 600, G 1200
(TYPE SRSW01)

G 3600
(TYPE SRBW01)

6.4. WINTER BATTERY MAINTENANCE AND STORAGE

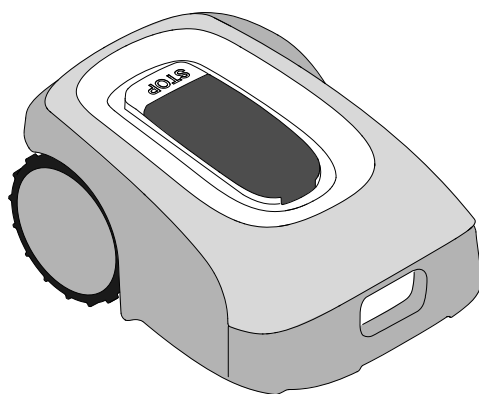
Procedure:

1. Charge the battery according to the guided procedure in the App, accessible from the "Settings" page.
2. Clean the robot lawn mower (See Par. 6.2).
3. Store the robot lawn mower horizontally, in a dry place and protected from frost, making sure it is switched off.
4. Disconnect the charging base to the mains.

NOTE: The guided procedure registers the successful recharging of the battery in the cloud, and is to be considered completed if the date of the winter pre-storage recharge is updated.

NOTE: Registering the charge through the app procedure is required for the battery warranty to be valid.

NOTE: The battery must be recharged every 6 months and, in any case, before winter storage.



6.5. BATTERY REPLACEMENT

Battery replacement is the sole responsibility of the STIGA TECHNICAL ASSISTANCE STAFF. If the battery needs to be replaced, contact a service centre or your retailer.

7. TROUBLESHOOTING



CAUTION:

Stop the robot lawn mower and bring it back to safety conditions (See Par. 5.3.2).

Below there is the list of any anomalies that may arise during the work phase.

PROBLEM	CAUSES	SOLUTIONS
Abnormal vibrations. The robot lawn mower is noisy.	Damaged cutting disc or blades.	Replace the damaged components (See Par. 6.3).
	Cutting device blocked by residues (tapes, ropes, plastic fragments, etc.).	Switch off the robot lawn mower in safety conditions (See Par. 2.3). Unlock the cutting blade.
	The robot lawn mower was started in the presence of unexpected obstacles (fallen branches, forgotten objects, etc.).	Switch off the robot lawn mower in safety conditions (See Par. 2.3). Remove obstacles and restart the robot lawn mower (See Par. 5.3.9).
	Electric motor failure	Replace the motor, contact the nearest authorized service centre.
	Grass too tall	Increase the cutting height (See Par. 5.6). Make a preliminary cut of the area with a normal lawn mower (See Par. 5.6).
The robot lawn mower does not position itself properly inside the charging station.	Incorrect position of the perimeter cable.	Check the connection of the charging station (See Par. 4.5.3).
	Land subsidence in the vicinity of the charging base.	Restore the correct positioning of the charging base. (See Par. 4.5.3).
The mower robot behaves abnormally around perimeter obstacles.	Perimeter cable laid in the wrong way	Reposition the perimeter cable correctly (clockwise) (See Par. 4.5.1).
The robot lawn mower works at the wrong times.	Working time set incorrectly	Reset the working hours (See Par. 4.7.8).
The working area is not mowed completely.	Insufficient working hours.	Extend working hours (See Par. 4.7.8).
	Cutting device with encrustations and / or residues.	Switch off the robot lawn mower in safety conditions (See Par. 2.3). Clean the cutting device.
	Pivoting cutting blades blocked by encrustations or residues.	Switch off the robot lawn mower in safety conditions (See Par. 2.3). Replace the cutting blades.
	The working area is too large for the robot lawn mower's capacity.	Reduce the work area (see Technical Data Par. 1.2).
	Batteries about to exhaust their life cycle.	Replace the batteries with original spare parts (See Par. 6.5).
	Batteries are not charged completely.	Clean and eliminate any oxidation from the contact points (See Par. 6.2). Recharge the batteries.
Parts of the garden not completely mowed.	Wrong cut point programming.	Correctly program the secondary cut points correctly (See Par.. 4.7.9).

PROBLEM	CAUSES	SOLUTIONS
The charging base light does not turn on when the robot is out of the charging base.	The supply voltage is missing or there is a fault in the charging base.	Check that the power supply unit is plugged in correctly. Check the integrity of the power supply connection cable.
The charging base indicator lights up flashing slowly.	The perimeter cable is not connected or is broken.	Check the installation and repair the break (See Par. 4.5.2).
The charging base indicator light flashes rapidly.	The perimeter cable is too short or there is a fault in the charging base.	Check that the length of the perimeter cable is greater than indicated in Par. 4.5.1. If necessary, install the resistor (See Par. 4.5.4). If the problem persists, contact a service centre.
The charging base indicator lights up flashing twice or three times rapidly.	The charging base has detected a short circuit on the charging contacts.	Disconnect the charging base from the mains, rectify any short circuits and clean the charging contacts of the charging base and the robot. Reconnect the charging base to the mains. If the problem persists, contact a service centre.
The charging base indicator lights up flashing twice or three times rapidly.	The charging base has detected a short circuit on the charging contacts.	Disconnect the charging base from the mains, rectify any short circuits and clean the charging contacts of the charging base and the robot. Reconnect the charging base to the mains. If the problem persists, contact a service centre.
The Warning icon lights up on the keypad.	It indicates anomaly / failure conditions.	See the app for more information or contact a service centre.

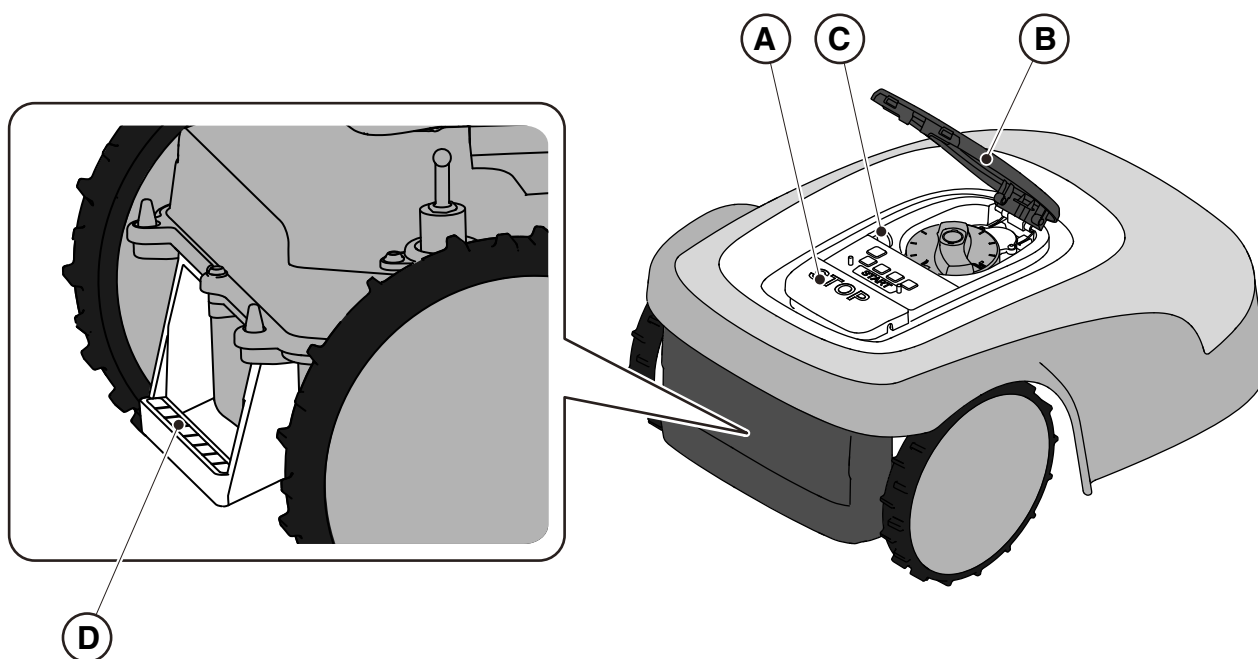
8. TRANSPORT, STORAGE AND DISPOSAL

8.1. TRANSPORT

Procedure:

NOTE: We recommend using the original packaging for transport over long distances.

1. Press the “STOP” (A) button to stop the robot lawn mower and open the protective cover (B).
2. Switch off the robot lawn mower in safety conditions (see par. 2.3).
3. Clean robot lawn mower as shown in Par. 6.2 "PRODUCT CLEANING".
4. Lift the robot lawn mower by the handle (D) and carry it, taking care to keep the cutting blade away from the body.
5. Reposition the robot lawn mower in its original packaging.



8.2. STORAGE

The robot lawn mower must be stored horizontally in a dry and frost-free place after cleaning and charging the battery in the winter (see Chapter 6). During long periods of inactivity, disconnect the charging base from the mains.

8.3. DISPOSAL



WARNING:

To remove the battery from the robot lawn mower, contact an authorized service centre.

Procedure:

1. Dispose of the product packaging in a sustainable way in the appropriate collection containers or at special centres authorized for collection.
2. Dispose of the robot lawn mower in accordance with local legal requirements.
3. Contact appropriate facilities for recycling and disposal as the robot lawn mower is classified as WEEE (Waste Electrical and Electronic Equipment).
4. Dispose of old or used batteries in a sustainable way in collection containers or at authorized collection centres.

9. ACCESSORIES

Art. number	Description	Specifications
1127-0009-01	Cutting blades	12 pcs
1127-0011-01	Charging base cover - for platform TYPE: SRSW01	For additional protection against rain and sunlight
1127-0024-01	Charging base cover - for platform TYPE: SRBW01	For additional protection against rain and sunlight.
1127-0010-01	Cable extension for charger	Cable to extend the connection between the power supply and the charging base - L=5 m
1127-0020-01	Cable extension for charger	Cable to extend the connection between the power supply and the charging base - L=15 m
1127-0012-01	Installation KIT Small	Perimeter cable Ø 2,7 mm - L=150 m + 200 fixing pegs + 5 cable connectors + 5 charging base cable connectors.
1127-0013-01	Installation KIT Medium	Perimeter cable Ø 2,7 mm - L=300 m + 400 fixing pegs + 5 cable connectors + 5 charging base cable connectors.
1127-0000-01	Cable reel 150 m	Perimeter cable Ø 2,7 mm - L=150 m
1127-0001-01	Cable reel 300 m	Perimeter cable Ø 2,7 mm - L=300 m
1127-0002-01	Cable reel 500 m	Perimeter cable Ø 3,4 mm - L=500 m
1127-0003-01	Cable reel 1000 m	Perimeter cable Ø 3,4 mm - L=1000 m
1127-0006-01	Fixing pegs (100 pcs)	Pegs to fix the perimeter cable - 100 pcs
1127-0008-01	charging base fixing pegs	8 pcs
1127-0004-01	Cable connectors	Joints for the repairing of the perimeter wire- 5 pcs
1127-0005-01	charging base cable connectors	Connectors to connect the perimeter wire to the charging base - 5 pcs
122063053/0	Small garden resistor	Resistor for installations with less than 40 m of perimeter cable
1127-0023-01	High-grip wheel kit - for platform TYPE: SRSW01	For more traction on ground that is slippery or uneven.
1127-0026-01	Blade friction disk kit - For platform TYPE: SRBW01	Reduces the friction the grass exerts on the cutting disc, improving efficiency

10. WARRANTY

10.1. WARRANTY COVERAGE

The warranty conditions are intended for consumers only, i.e. non-professional operators.

The warranty covers all material quality and manufacturing defects recognised during the warranty period by your Dealer or Authorised Service Centre.

The warranty is restricted to the repair or replacement of components recognised as faulty.

It is advisable to send your machine once a year to an authorized service workshop for servicing, assistance and safety device inspection.

The warranty only applies to machines subjected to regular maintenance.

The warranty does not cover damages resulting from:

- Failure to become familiar with the documentation accompanying the machine (Instruction manuals).
- Professional use.
- Carelessness, negligence.
- External causes (lightning, impact, presence of foreign bodies inside the machine) or incidents.
- Incorrect use or assembly prohibited by the manufacturer
- Poor maintenance.
- Modification to the machine.
- Use of non-genuine spare parts (adaptable parts).
- Use of accessories not supplied or approved by the manufacturer (e.g. cutting devices).

The warranty does not cover:

- Maintenance operations (described in the instruction manual).
- Normal wear of consumables such as cutting devices and wheels.
- Normal wear and tear.
- Deterioration in the appearance of the machine due to use.
- Cutting means supports.
- Damage resulting from an installation that does not comply with the user manual.
- Any corrosion or damage to the perimeter cable.
- Damage caused by water infiltration due to the use of a high pressure washing device or by immersion in water, for example when puddles of water form from heavy rain.
- Damage caused by improper storage or improper use of the battery.
- Damage caused by using non-original batteries.
- Any additional cost possibly connected to the repair under warranty, such as moving the machine to the user's premises, bringing the machine to the Dealer, hiring equipment or contracting other companies for any garden maintenance work while the machine is out of service.

The user is protected by his or her own national legislation. The user's rights under the national laws or his or her own country are not in any way restricted by this warranty.

11. REGISTERED TRADEMARKS AND LICENCES

The Bluetooth® name and logo are registered trademarks owned by Bluetooth SIG, inc. and any use made of such marks by STIGA is under license.

12. EC DECLARATION OF CONFORMITY

UK DECLARATION OF CONFORMITY

(Supply of Machinery (Safety) Regulations 2008, S.I. 2008 No. 1597, Annex II, part A)

1. The company: ST. S.p.A. – Via del Lavoro, 6 – 31033 Castelfranco Veneto (TV) – Italy

2. Hereby declares under its own responsibility that the machine:

Robotic lawnmower

a) Homologation type:	SRSW01
c) Serial number:	22A••RMO000001 ÷ 99L••RMO999999
d) Engine:	battery-operated

3. Conforms to UK Regulations:

- S.I. 2008/1597 - Supply of Machinery (Safety) Regulations 2008
- S.I. 2016/1091 - Electromagnetic Compatibility Regulations 2016
- S.I. 2012/3032 - The Restriction of the Use of Certain Hazardous Substances in Electrical and Electronic Equipment Regulations 2012
- S.I. 2017/1206 - Radio Equipment Regulations 2017

4. Reference to harmonised standards and/or to technical standards:

EN 60335-1:2012 / AC:2014 / A11:2014 / A13:2017 /
A1:2019 / A2:2019 / A14:2019
EN 50636-2-107:2015 / A1:2018 / A2:2020 / A3:2021
ETSI EN 300 328 V2.2.2
ETSI EN 301 489-1 (V1.9.2)
ETSI EN 301 489-1 V2.2.3
ETSI EN 301 489-17 V3.2.4
ETSI EN 301 489-19 V2.1.1
ETSI EN 301 489-52 V1.1.2
ETSI EN 301 908-1 V15.1.1
ETSI EN 301 908-13 V13.1.1
ETSI EN 303 413 V1.1.1

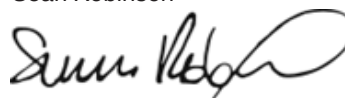
EN 61000-3-2:2014
EN IEC 61000-3-2:2019 / A1:2021
EN 61000-3-3:2013 / A1:2019
EN 55014-1:2017 / A11:2020
EN IEC 55014-1:2021
EN 55014-2:1997 / A1:2001 / A2:2008 / AC:1997
EN IEC 55014-2:2021
EN 62233:2008
EN 62311:2008

i) Cutting width: 18 cm

n) Person authorised to compile the technical file: ST. S.p.A.
Via del Lavoro, 6
31033 Castelfranco Veneto (TV) - Italia

o) Castelfranco Veneto, 10/02/2024

CEO Stiga Group
Sean Robinson



UK Importer: STIGA LTD
Unit 8, Bluewater Estate Plympton,
Devon, PL7 4JH, England



171514280/2

UK DECLARATION OF CONFORMITY

(Supply of Machinery (Safety) Regulations 2008, S.I. 2008 No. 1597, Annex II, part A)

1. The company: ST. S.p.A. – Via del Lavoro, 6 – 31033 Castelfranco Veneto (TV) – Italy
2. Hereby declares under its own responsibility that the machine:

Robotic lawnmower

a) Homologation type:	SRBW01
c) Serial number:	23A••RMO000001 ÷ 99L••RMO999999
d) Engine:	battery-operated

3. Conforms to UK Regulations:

- S.I. 2008/1597 - Supply of Machinery (Safety) Regulations 2008
- S.I. 2016/1091 - Electromagnetic Compatibility Regulations 2016
- S.I. 2012/3032 - The Restriction of the Use of Certain Hazardous Substances in Electrical and Electronic Equipment Regulations 2012
- S.I. 2017/1206 - Radio Equipment Regulations 2017

4. Reference to harmonised standards and/or to technical standards:

EN 60335-1:2012 / AC:2014 / A11:2014 / A13:2017 / A1:2019 / A2:2019 / A14:2019	EN 61000-3-2:2014
EN 50636-2-107:2015 / A1:2018 / A2:2020 / A3:2021	EN IEC 61000-3-2:2019 / A1:2021
ETSI EN 300 328 V2.2.2	EN 61000-3-3:2013 / A1:2019
ETSI EN 301 489-1 (V1.9.2)	EN 55014-1:2017 / A11:2020
ETSI EN 301 489-1 V2.2.3	EN IEC 55014-1:2021
ETSI EN 301 489-17 V3.2.4	EN 55014-2:1997 / A1:2001 / A2:2008 / AC:1997
ETSI EN 301 489-19 V2.1.1	EN IEC 55014-2:2021
ETSI EN 301 489-52 V1.1.2	EN 62233:2008
ETSI EN 301 908-1 V15.1.1	EN 62311:2008
ETSI EN 301 908-13 V13.1.1	
ETSI EN 303 413 V1.1.1	

- i) Cutting width: 26 cm
- n) Person authorised to compile the technical file: ST. S.p.A.
Via del Lavoro, 6
31033 Castelfranco Veneto (TV) - Italia
- o) Castelfranco Veneto, 10/02/2024

CEO Stiga Group
Sean Robinson



UK Importer: STIGA LTD
Unit 8, Bluewater Estate Plympton,
Devon, PL7 4JH, England

**UK
CA**

171514286/0



OWA-60E-30STG Instruction Manual

0. Models: OWA-60E-30STG

Certificate model name: OWA-60E-30



1. Features :

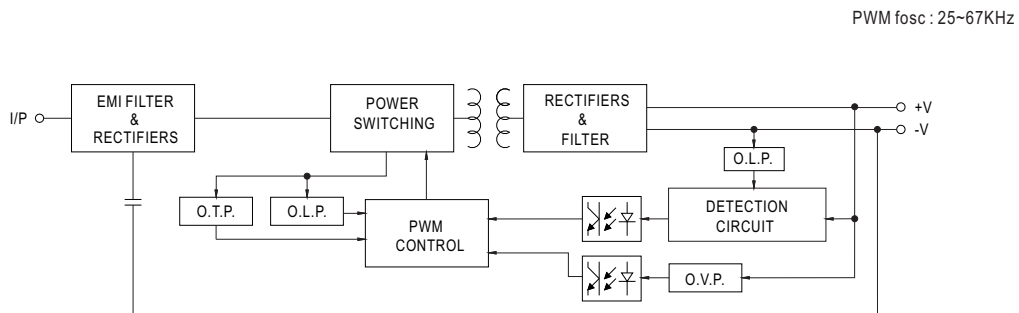
- Universal AC input 100-240VAC
- Switching Power Supply
- IP67(only for power body)
- Class II power unit, no FG
- The maximum room ambient temperature is 50°C (Tmra)

Safety IEC/EN61558-1,-2-16
IEC/EN60335-1

2. Electrical rating as below:

Model	Input(ac)			Output(dc)	
	Vac	A	Hz	Vdc	A
OWA-60E-30STG	100-240	1.2	50/60	+29.2	2A

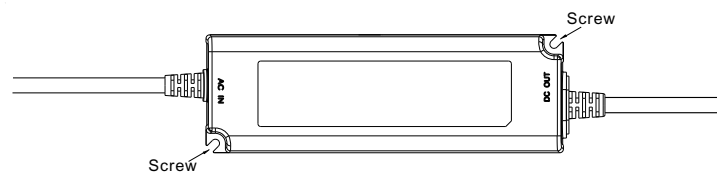
3. Block Diagram




1JJ8OWA-60E-STG-RX

4. IMPORTANT SAFETY INSTRUCTIONS

- 4.1 Install only to a covered electrical socket that has an enclosure that is weatherproof with the attachment plug cap inserted or removed.
- 4.2 Not for use with electrical sockets that are weatherproof only when the socket is covered (attachment plug cap not inserted and electrical socket cover closed).
- 4.3 The socket-outlet shall be easily accessible.
- 4.4 When the device is installed on the wall or ceiling, it is recommended to use M3x8 screws to secure it. Fixed position as shown below:



- 4.5 This appliance is not intended for use by persons (including children) with reduced physical, sensory or mental capabilities, or lack of experience and knowledge, unless they have been given supervision or instruction concerning use of the appliance by a person responsible for their safety in the end product.
- 4.6 Children should be supervised to ensure that they do not play with the appliance.
- 4.7 The supply cord cannot be replaced. If the cord is damaged the appliance should be scrapped.
- 4.8  :Protection of the environment. This symbol attached to the product

means that it is a device whose disposal is subject to the directive on waste from electrical and electronic equipment (WEEE). This device may not in any way be treated as household waste and must be subject to a specific type of removal for this type of waste. Recycling and recovery systems are available in your area (waste removal) and by distributors. By taking your device at its end of life to a recycling facility, you will contribute to environmental conservation and prevent any harm to your health.



OWA-120E-30STG Instruction Manual

0. Models: OWA-120E-30STG

Certificate model name: OWA-120E-30



1. Features :

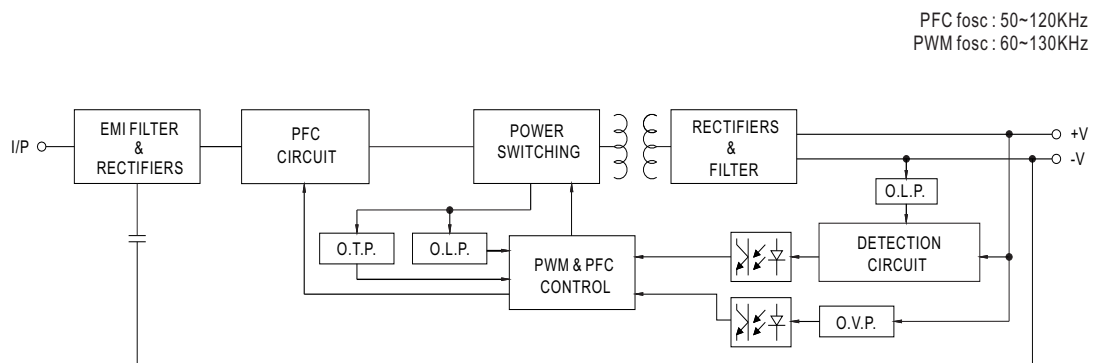
- Universal AC input 200~240VAC
- Switching Power Supply
- IP67(only for power body)
- Class II power unit, no FG
- The maximum room ambient temperature is 40°C (Tmra)

Safety IEC/EN61558-1,-2-16
IEC/EN60335-1

2. Electrical rating as below:

Model	Input(ac)			Output(dc)	
	Vac	A	Hz	Vdc	A
OWA-120E-30STG	200-240	0.8	50/60	+29.2	4A

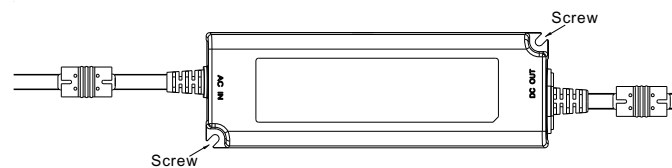
3. Block Diagram




1JJ8OWA-120E-STG-RX

4. IMPORTANT SAFETY INSTRUCTIONS

- 4.1 Install only to a covered electrical socket that has an enclosure that is weatherproof with the attachment plug cap inserted or removed.
- 4.2 Not for use with electrical sockets that are weatherproof only when the socket is covered (attachment plug cap not inserted and electrical socket cover closed).
- 4.3 The socket-outlet shall be easily accessible.
- 4.4 When the device is installed on the wall or ceiling, it is recommended to use M3x8 screws to secure it. Fixed position as shown below:



- 4.5 This appliance is not intended for use by persons (including children) with reduced physical, sensory or mental capabilities, or lack of experience and knowledge, unless they have been given supervision or instruction concerning use of the appliance by a person responsible for their safety in the end product.
- 4.6 Children should be supervised to ensure that they do not play with the appliance.
- 4.7 The supply cord cannot be replaced. If the cord is damaged the appliance should be scrapped.
- 4.8  :Protection of the environment. This symbol attached to the product

means that it is a device whose disposal is subject to the directive on waste from electrical and electronic equipment (WEEE). This device may not in any way be treated as household waste and must be subject to a specific type of removal for this type of waste. Recycling and recovery systems are available in your area (waste removal) and by distributors. By taking your device at its end of life to a recycling facility, you will contribute to environmental conservation and prevent any harm to your health.

STIGA

STIGA LTD (UK Importer)

Unit 8, Bluewater Estate Plympton,
Devon, PL7 4JH, England

STIGA S.p.A.

Via del lavoro, 6
31033 Castelfranco Veneto (TV)
Italy

STIGA S.p.A.