

*Please Read These Instructions  
Before Using Your Mower*

# Mountfield

## Operating Instructions

*for models  
HP41 & SP41 Lawnmowers  
with ST 120 OHV Autochoke engine*

**Product Codes:**  
297411043/M21  
297412043/M21



**Do not return this product to store  
with fuel in it**

Buy with confidence

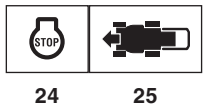
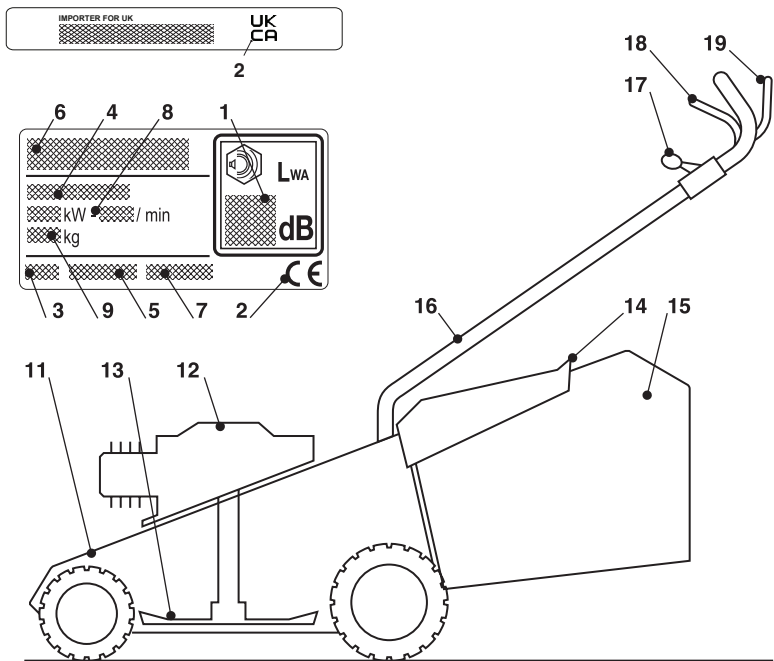
**SERVICE**  
LINK  
servicelink.org.uk

For after sales help and advice  
please visit our website

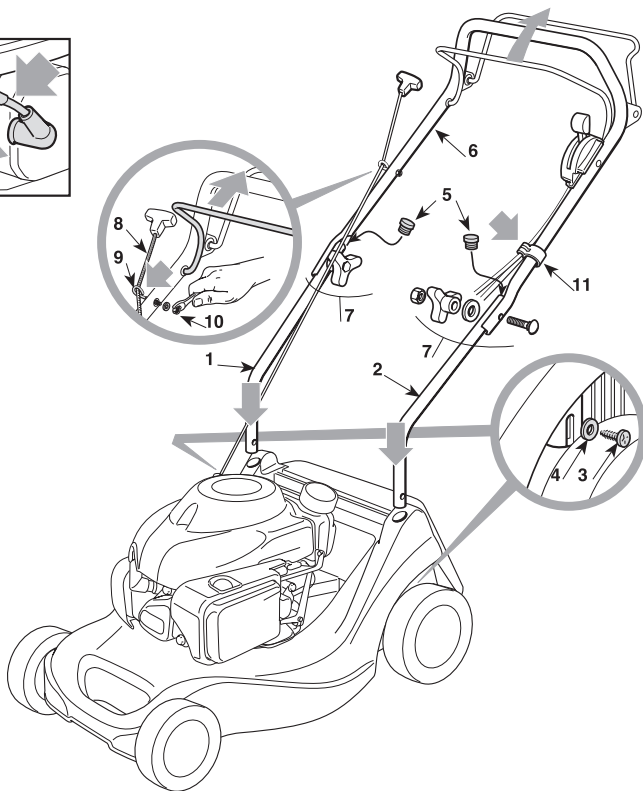
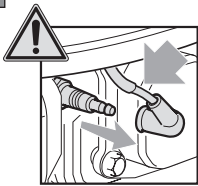


ENGLISH - Translation of the original instruction ..... **EN**

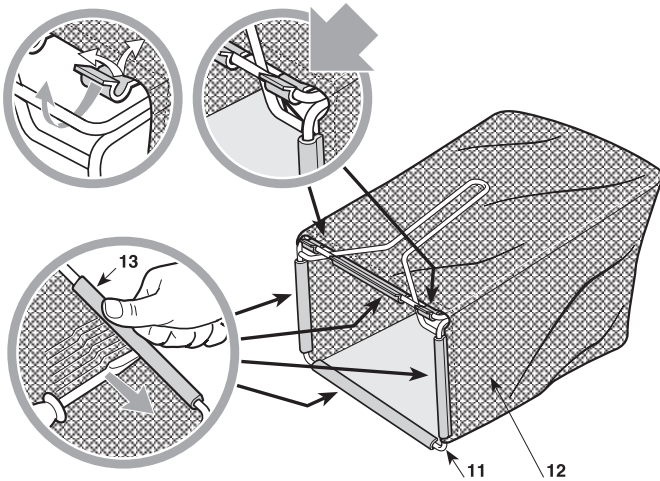
ITALIANO - **Istruzioni Originali** ..... **IT**

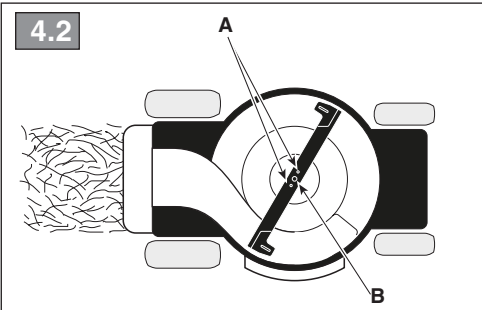
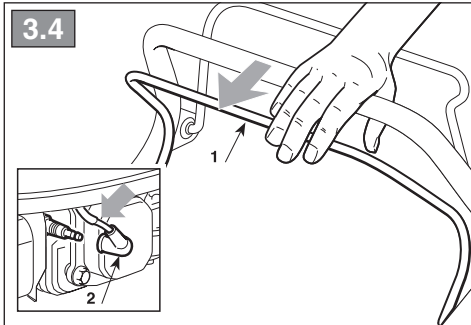
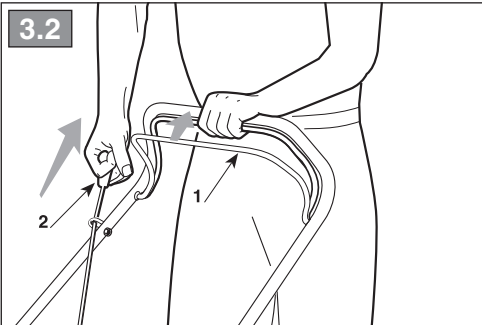
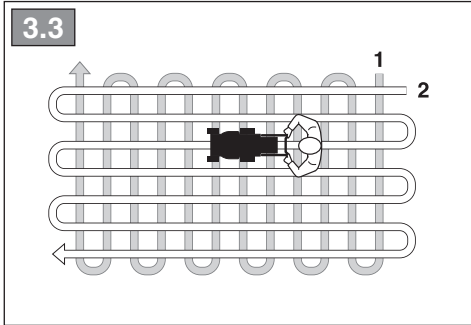
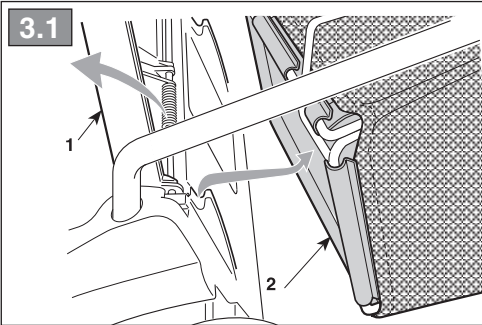
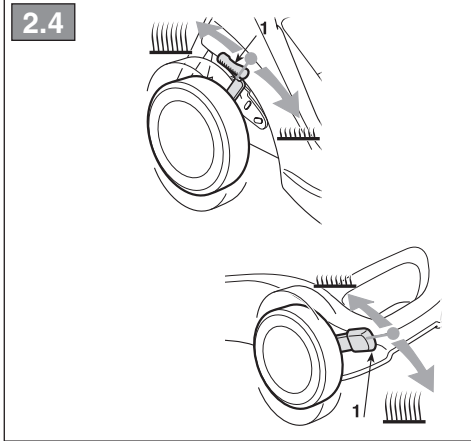
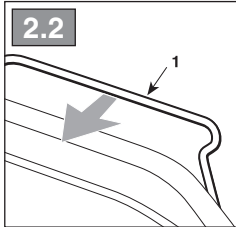
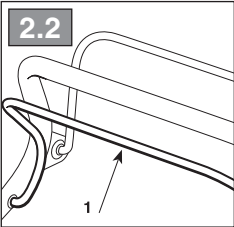
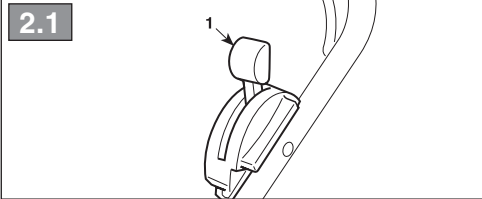


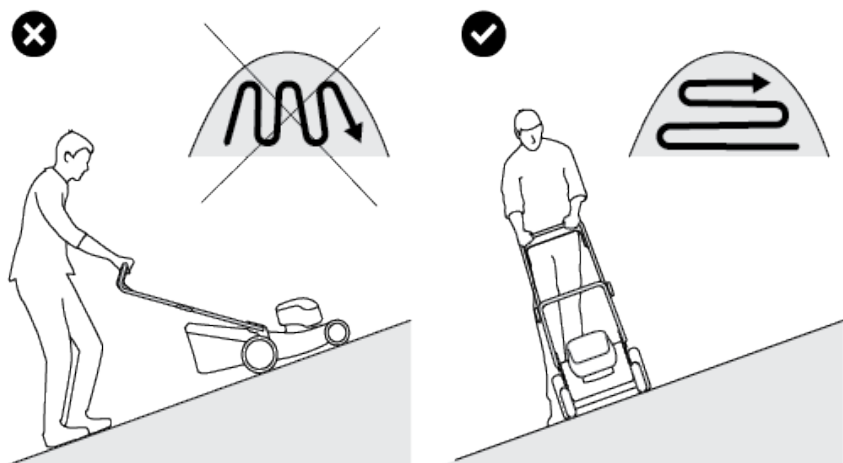
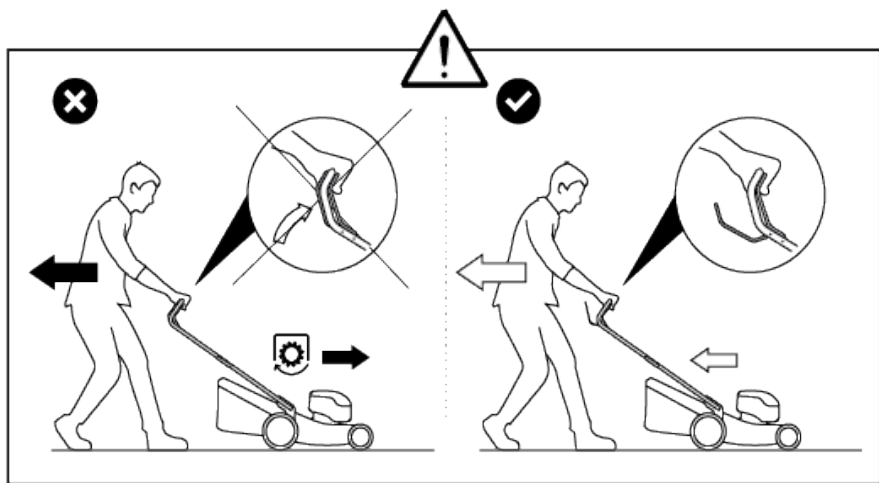
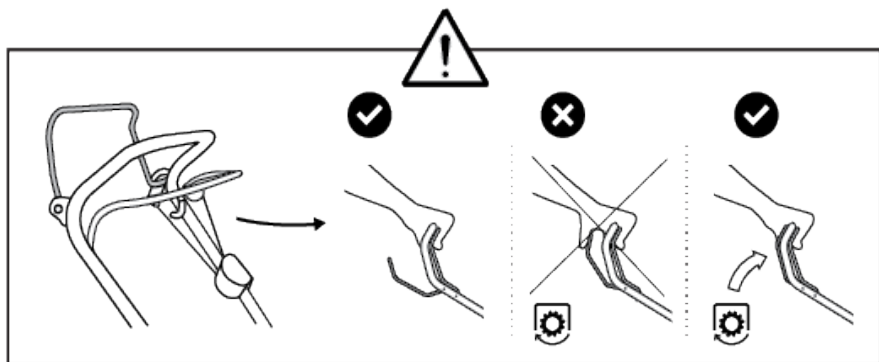
1.1



1.2







| [1]  | TECHNICAL DATA                       |                  | EP 414<br>EP 414 TR |
|------|--------------------------------------|------------------|---------------------|
| [2]  | Nominal power *                      | kW               | 1.55 ÷ 1.86         |
| [3]  | Max. engine operation speed *        | min-1            | 2900 ± 100          |
| [4]  | Machine weight *                     | kg               | 18 ÷ 23             |
| [5]  | Cutting width                        | cm               | 39                  |
| [6]  | Cutting blade code                   |                  | 81004360/3          |
| [7]  | Acoustic pressure level (max.)       | dB(A)            | 81.6                |
| [8]  | Measurement uncertainty              | dB(A)            | 0.5                 |
| [9]  | Acoustic power level measured (max.) | dB(A)            | 92.8                |
| [8]  | Measurement uncertainty              | dB(A)            | 1.03                |
| [10] | Acoustic power level guaranteed      | dB(A)            | 93                  |
| [11] | Vibration level (max.)               | m/s <sup>2</sup> | 5.66                |
| [8]  | Measurement uncertainty              | m/s <sup>2</sup> | 0.6                 |

| [12] | OPTIONAL ACCESSORIES |   |
|------|----------------------|---|
| [13] | Kit "Mulching"       | ✓ |

\* Please refer to the data indicated on the machine's identification plate for the exact figure.

\*\* with "Vibe Control System"

#### [1] IT - DATI TECNICI

- [2] Potenza nominale \*
- [3] Velocità mass. di funzionamento motore \*
- [4] Peso macchina \*
- [5] Ampiezza di taglio
- [6] Codice dispositivo di taglio
- [7] Livello di pressione acustica
- [8] Incertezza di misura
- [9] Livello di potenza acustica misurato
- [10] Livello di potenza acustica garantito
- [11] Livello di vibrazioni
- [12] ACCESSORI A RICHIESTA i
- [13] Kit "Mulching"

- Per il dato specifico, fare riferimento a quanto indicato nell'etichetta di identificazione della macchina



**SAFETY REGULATIONS  
please follow meticulously**

**A) TRAINING**

- 1) **WARNING!** Read these instructions carefully before operating the machine. Become acquainted with the controls and the proper use of the machine. Learn how to stop the engine quickly. Failure to follow the warnings and instructions may result in fire and/or serious injury. Save all warnings and instructions for future reference.
- 2) Never allow children or persons unfamiliar with these instructions to use the machine. Local laws can restrict the minimum age of the operator.
- 3) Never use the lawnmower while people, especially children, or pets are nearby.
- 4) Never use the machine if the user is tired or unwell, or has taken medicine, drugs, alcohol or any substances which may slow his reflexes and compromise his judgement.
- 5) Bear in mind that the operator or user is responsible for accidents or unexpected events occurring to other people or their property. It is the user's responsibility to assess the potential risk of the area where work is to be carried out, and to take all the necessary precautions to ensure his own safety and that of others, particularly on slopes or rough, slippery and unstable ground.
- 6) If the machine is sold or lent to others, make sure that the operator looks over the user instructions contained in this manual.

**B) PRELIMINARY OPERATIONS**

- 1) While using the machine, always wear anti-slip and resistant work footwear and long pants. Do not operate the machine when barefoot or wearing open sandals. Avoid wearing chains, bracelets, clothing that is loose fitting or has hanging cords or ties. Tie hair back if it is long. Always wear protective earplugs.
- 2) Thoroughly inspect the entire work area and remove anything that could be thrown by the machine or damage the cutting unit or engine (stones, branches, iron wire, bones, etc.).
- 3) **WARNING: DANGER!** Petrol is highly flammable.
  - Store the fuel in special containers;
  - Add fuel, using a funnel, only outdoors; do not smoke during this operation and each time fuel is handled;
  - Top-up with fuel before igniting the engine; never remove the tank cap or add fuel while the engine is running or when it is hot;
  - If you have spilled some fuel, do not attempt to ignite the engine but move the machine away from the area of spillage and avoid creating any source of ignition until the fuel has evaporated and fuel vapours have dissipated;
  - Always put the tank and fuel container caps back on and tighten well;
- 4) Replace faulty silencers.
- 5) Before using the machine, check its general condition and in particular:
  - the appearance of the cutting means, and check that the screws and cutting unit are not worn or damaged. Replace the entire cutting means and all damaged or

- worn screws to preserve balance. Any repairs must be done at a specialised centre
  - don't force the safety lever as it must move freely; it should return automatically and rapidly back to the neutral position, resulting in the stopping of the cutting means
- 6) Check the battery status regularly (where applicable). Replace it if there is any damage to the casing, cover or terminals.
  - 7) Before starting work, always fit the exit guards (grass catcher, side discharge guard or rear discharge guard).

**C) DURING USE**

- 1) Do not operate the engine in a confined space where dangerous carbon monoxide fumes can develop. All ignition operations have to be effected in an open or well-ventilated area. Always remember that exhaust fumes are toxic.
- 2) Work only in daylight or with good artificial light in good visibility conditions. Keep persons, children and animals away from the working area.
- 3) If possible, avoid mowing wet grass. Avoid working in the rain and when there is a thunderstorm risk. Do not use the machine in bad weather conditions, especially when there is risk of lightning.
- 4) Make sure you have a steady foothold on slopes.
- 5) Never run, always walk. Do not allow the lawnmower to pull you along.
- 6) Pay special attention when approaching obstacles that could compromise visibility.
- 7) Always mow across a slope and never up and down it, being very careful when changing direction that the wheels do not hit any obstacles (such as stones, branches, roots, etc.) that may cause the machine to slide sideways or make you lose control of it.
- 8) The machine must not be used on slopes of over 20°, regardless of the mowing direction.
- 9) Be extremely careful when pulling the lawnmower toward you. Look behind you to make sure there are no obstacles before and during operations in reverse gear.
- 10) Immobilise the cutting means if the lawnmower must be inclined for transport, when moving over surfaces other than grass and when the lawnmower is transported from or to an area that must be cut.
- 11) Pay attention to traffic when using the machine near roads.
- 12) Never operate the machine with damaged guards or without the grass catcher, side discharge guards or rear discharge guards.
- 13) Be very careful near ravines, ditches or embankments.
- 14) Ignite the engine carefully following the instructions, keeping feet away from the cutting means.
- 15) Do not incline the lawnmower during ignition. Ignite the machine on a flat surface without obstacles or high grass.
- 16) Never place your hands and feet near or under rotating parts. Keep away from the discharge opening.
- 17) Do not lift or transport the lawnmower when the engine is running.
- 18) Do not tamper with or disable safety systems.
- 19) Do not change the engine settings or over-rev the engine.
- 20) Do not touch the engine parts as they get very hot when running. Danger of burns.

- 21) On power-driven models, disengage the wheel drive before igniting the engine.
- 22) Use manufacturer-recommended attachments only.
- 23) Don't use the machine if the attachments/tools are not installed in their seats.
- 24) Disengage the cutting means, switch off the engine and unplug the spark plug cable (making sure that all moving parts are stationary):
  - When transporting the machine;
  - Whenever you leave the machine unattended; also remove the key on models with electric ignition systems;
  - Before clearing blockages or unclogging the discharge chute;
  - Before checking, cleaning or working on the machine;
  - After striking a foreign object. Inspect the machine for damage and make repairs before using it again.
- 25) Disengage the cutting means and switch off the engine:
  - Before refuelling;
  - Whenever you remove or reattach the grass catcher;
  - Whenever you remove or reattach the side discharge chute;
  - Before adjusting the cutting height, if this operation can not be performed from the driving seat.
- 26) When working, always keep a safe distance from the rotary cutting means, given by the length of the handle.
- 27) Reduce the throttle setting before stopping the engine. Shut off the fuel supply on completing the work, following the instructions in the engine manual.
- 28) **WARNING** – If something breaks or an accident occurs whilst working, turn off the engine immediately and move the machine away to prevent further damage; if an accident occurs with injuries or third parties are injured, carry out the first aid measures most suitable for the situation immediately and contact the medical authorities for any necessary health care. Carefully remove any debris that might cause damage or harm persons or animals should it not be seen.
- 29) **WARNING** – The noise and vibration levels shown in these instructions are the maximum levels for use of the machine. The use of an unbalanced cutting means, the excessive speed of movement, or the absence of maintenance have a significant influence on noise emissions and vibrations. Consequently, it is necessary to take preventive steps to eliminate possible damage due to high levels of noise and stress from vibration. Maintain the machine well, wear ear protection devices, and take breaks while working.

## D) MAINTENANCE AND STORAGE

- 1) **WARNING!** – Before cleaning or doing maintenance work, disconnect the spark plug cable and read the relevant instructions. Wear proper clothing and protective gloves whenever your hands are at risk.
- 2) **WARNING!** – Never use the machine with worn or damaged parts. Faulty or worn-out parts must always be replaced and not repaired. Only use original spare parts: The use of non-original and/or incorrectly fitted parts will jeopardize the safety of the machine, may cause accidents or personal injuries for which the Manufacturer is under no circumstance liable or responsible.
- 3) Any adjustments or maintenance operations not described in this manual must be carried out by your Dealer or a specialized Service Centre with the necessary knowledge and equipment to ensure that the work is done correctly maintaining the machine's original safety level. Any operations performed in unauthorized centres or by unqualified persons will totally invalidate the Warranty and all

obligations and responsibilities of the Manufacturer.

- 4) After each use, disconnect the spark plug cable and check for damage.
- 5) Keep all nuts, bolts and screws tight to be sure the machine is in safe working condition. Routine maintenance is essential for safety and for maintaining a high performance level.
- 6) Check that the cutting means screws are properly tightened on a regular basis.
- 7) Wear work gloves when handling, disassembling and reassembling all cutting means.
- 8) Keep the cutting means well balanced during sharpening. All work on the cutting means (disassembly, sharpening, balancing, reassembly and/or replacing) are demanding jobs that require special skills as well as special tools. For safety reasons, these jobs are best carried out at a specialised centre.
- 9) Be careful during adjustment of the machine to prevent entrapment of the fingers between moving parts of the cutting means and fixed parts of the machine.
- 10) Do not touch the cutting means until the spark plug cable has been disconnected and the cutting means is completely stationary. When servicing the cutting means, bear in mind that, even though the spark plug cable is disconnected, the cutting means can still move.
- 11) Check the side discharge guard, the rear discharge guard and the grass catcher frequently. Replace them if they are damaged.
- 12) Replace any instruction or warning message stickers, if damaged.
- 13) Store the machine out of the reach of children.
- 14) Do not store the machine with fuel in the tank in an area where the fuel vapours could reach an open flame, a spark or a strong heat source.
- 15) Allow the engine to cool down before storing in any enclosure.
- 16) To reduce fire hazards, keep the engine, silencer, battery compartment and petrol storage area free of grass, leaves, or excessive grease. Always empty the grass catcher and do not leave containers full of cut grass inside storage areas.
- 17) To reduce fire hazards, check there are no oil and/or fuel leaks on a regular basis.
- 18) If the fuel tank has to be emptied, this should be done outdoors once the engine has cooled down.

## E) TRANSPORTATION AND HANDLING

- 1) Whenever the machine is to be handled, lifted, transported or tilted you must:
  - Wear sturdy work gloves;
  - Grasp the machine at the points that offer a safe grip, taking into account the weight and relative distribution of the same
  - Use an appropriate number of people for the weight of the machine and the characteristics of the vehicle or the place where it must be placed or collected
  - Make sure that machine movements do not cause petrol leaks, damage or injuries.
- 2) During transport, fasten the machine securely with cables or chains.

## G) ENVIRONMENTAL PROTECTION

- 1) Environmental protection should be a priority of considerable importance when using the machine, for the benefit of both social coexistence and the environment in which

we live. Try not to cause any disturbance to the surrounding area.

2) Scrupulously comply with local regulations and provisions for the disposal of packaging, oils, petrol, filters, damaged parts or any elements which have a strong impact on the environment; this waste must not be disposed of as normal waste, it must be separated and taken to specified waste disposal centres where the material will be recycled.

3) Scrupulously comply with local regulations for the disposal of waste materials after mowing.

4) When decommissioning, do not pollute the environment with the machine, but hand it over to a disposal centre, in accordance with the local laws in force

## GETTING TO KNOW THE MACHINE

### MACHINE DESCRIPTION AND SCOPE OF APPLICATION

This machine is a garden tool and precisely a pedestrian-controlled lawnmower.

The machine is essentially composed of an engine which drives a cutting means enclosed in a casing, equipped with wheels and a handle.

The operator is able to operate the machine and use the main controls, always staying behind the handle at a safe distance from the rotating cutting means. If the operator leaves the machine, the engine and cutting means will stop within a few seconds.

#### Intended use

This machine was designed and manufactured for cutting (and collecting) grass in gardens and grassy areas, in areas in proportion to its cutting capacity, done by a pedestrian operator.

The presence of attachments or specific devices can prevent cut grass from being collected or produce a mulching effect, depositing cut grass on the ground.

#### User types

This machine is intended for use by consumers, i.e. non-professional operators. The machine is intended for "DIY" use only.

#### Improper use

Any other usage not in keeping with the above-mentioned ones may be hazardous and harm persons and/or damage things. Examples of improper use may include, but are not limited to:

- transporting persons, children or animals on the machine;
- letting oneself be transported by the machine;
- using the machine to tow or push loads;
- using the machine for leaf or debris collection;
- using the machine to trim hedges, or for cutting vegetation other than grass;
- use of the machine by more than one person;
- using the cutting means on surfaces other than grass.

### IDENTIFICATION LABEL AND MACHINE COMPONENTS (see figures on page ii)

1. Acoustic power level
2. Conformity marking
3. Year of manufacture
4. Type of lawnmower
5. Serial number
6. Name and address of Manufacturer
7. Article Code
8. Engine rated power and maximum operating speed
9. Machine mass with empty tank in kg.
  
11. Chassis
12. Engine
13. Cutting means
14. Rear discharge guard
- 14a. Side discharge chute (if provided)
- 14b. Side discharge guard (if provided)
15. Grass catcher
16. Handle
17. Throttle
18. Engine brake lever / cutting means
19. Drive engagement lever

As soon as you have purchased the machine, do not forget to write the identification numbers (3 – 4 – 5) in the spaces on the last page of the manual.

The example of the Declaration of Conformity is provided on the penultimate page of the manual.

### DESCRIPTION OF SYMBOLS INDICATED ON THE CONTROLS (where foreseen)

21. Slow
22. Fast
23. Choke
24. Engine stop
25. Drive on

**SAFETY REQUIREMENTS** – Your lawnmower should be used with due care and attention. Therefore, pictograms have been placed on various parts of the machine to remind you of the main precautions to be taken. Their meaning is explained below. You are also asked to carefully read the safety regulations in the specific chapter of this manual. Replace damaged or illegible labels.

41. Warning: Read the instruction handbook before using the machine.
42. Risk of thrown objects. Keep all persons away from the work area whilst mowing.
43. Danger of cutting yourself. Cutting means in motion. Do not put hands or feet near or under the opening of the cutting means housing. Disconnect the spark plug cap and read the instructions before carrying out any maintenance or repairs.

## OPERATING INSTRUCTIONS

For information on the engine and the battery (if supplied), read the relevant owner manuals.

**NOTE** – The number which precedes each paragraph

links the references in the text to the respective illustrations (listed on page iii and following pages).

## 1. COMPLETE ASSEMBLY

**NOTE** *The machine can be supplied with some parts already assembled.*

**⚠ WARNING!** *Unpacking and completing the assembly should be done on a flat and stable surface, with enough space for moving the machine and its packaging, always making use of suitable equipment. Disposal of the packaging should be done in accordance with the local regulations in force.*

### 1.1 Assembling the handle

Insert the lower right (1) and left (2) parts of the handle into the respective holes and fasten them in place with the supplied screws (3) and the washers (4).

Fit the two caps (5) on to the ends of the two bottom parts of the handle (1) and (2).

Attach the top of the handle (6) to the bottom parts using the knobs (7) and the supplied nuts and bolts as shown.

Fit the starter cable (8) in the guide (9) and tighten the nut (10).

Fit the cable fastener (11) in the indicated position and secure the control cables.

### 1.2 Assembling the grass catcher

Insert the frame (11) in the grass catcher (12) and snap on all the plastic sections (13), using a screwdriver as illustrated.

## 2. CONTROLS DESCRIPTION

**NOTE** *The meanings of the symbols on controls are explained in the previous pages.*

### 2.1 Throttle lever

The throttle is controlled by the lever (1).

Lever positions are indicated on the relevant plate.

Some models have a fixed speed engine with no need for a throttle.

### 2.2 Engine brake lever / cutting means

The cutting means brake is controlled by the lever (1) which must be held against the handle during ignition and during lawnmower operations.

The engine stops when the lever is released.



OPC (Operator Presence Control) lever release: engine stop.

### 2.3 Drive lever (where applicable)

On power-driven models, push the lever (1) toward the handle for forward movement.

The lawnmower stops moving forward when the lever is released.

The engine must always be ignited with the drive disengaged.



Transmission is active.

**⚠ WARNING!** *To prevent damage to the transmission, do not pull the machine backwards with the transmission engaged.*

### 2.4 Cutting height adjustment

The cutting height is adjusted by the levers (1).

The four wheels must be adjusted to the same height.

DO THIS WHEN THE CUTTING MEANS IS STATIONARY.

## 3. GRASS CUTTING

**NOTE** *This machine can be used to mow lawns in a number of different ways; before starting work, prepare the machine based on how the lawn is to be mowed.*

DO THIS WHEN THE ENGINE IS OFF.

### 3.1 Preparation for mowing and grass collection by the grass catcher

Lift the rear discharge guard (1) and fasten the grass catcher (2) correctly as shown in the illustration.

### 3.2 Engine ignition

During ignition, follow the instructions in the engine manual, then pull the cutting means brake lever (1) against the handle and firmly tug the knob on the ignition cable (2).

### 3.3 Mowing the lawn

The appearance of the lawn will improve if you alternate cutting in both directions at the same height.

When the grass catcher is too full, grass collection is no longer efficient and the sound of the lawnmower changes.

To remove and empty the grass catcher,

- stop the engine and wait for the cutting means to stop;
- lift the rear discharge guard, grasp the handle and remove the grass catcher keeping it in an erect position.

### Lawn care recommendations

Each type of grass has different characteristics and may thus require different ways of caring for the lawn; always read the instructions on seed boxes for mowing height for the growing conditions in the work area.

Keep in mind that most grass is made up of a stem and one or more leaves. If leaves are fully cut, the lawn is damaged and growth is more difficult.

The following indications generally apply:

- cutting too low tears and uproots the grass, giving it a “spotted” appearance;
- in the summer, cutting must be higher to prevent the ground from drying;
- do not cut wet grass; this could reduce cutting means efficiency due to sticky grass and tear the lawn.
- for particularly high grass, initially mow at the maximum height allowed by the machine then mow again after two or three days.

### 3.4 End of operations

When work has been completed, release the brake lever (1) and disconnect the spark plug cap (2).

WAIT UNTIL THE CUTTING MEANS STOPS before proceeding any further.

## 4. ROUTINE MAINTENANCE

Store the lawnmower in a dry place.

**IMPORTANT** *Routine and accurate maintenance is essential in maintaining original machine safety and performance levels.*

Adjustments or maintenance operations must only be performed with the engine switched off and the spark plug cable disconnected.

- 1) Wear strong protective gloves before cleaning, maintaining or adjusting the machine.
- 2) Accurately wash the machine with water after cutting; remove grass debris and mud accumulated in the chassis to prevent it from drying and causing problems the next time the lawnmower is used.
- 3) If accessing the lower part is necessary, only tilt the machine on the side indicated in the engine manual, following the relevant instructions, making sure that the machine is perfectly stable before performing any interventions.
- 4) Do not drip petrol onto the plastic parts of the engine or the machine to prevent damaging them and remove all traces of spilled petrol immediately. The warranty does not cover damage to plastic parts caused by petrol.


### 4.1 Cutting means maintenance


It is best if all interventions on the cutting means are done at a specialised Centre that has the most appropriate tools and equipment.

Only cutting means bearing the code indicated in the table on page ii must be used on this machine.

Given product evolution, the above mentioned cutting means may be replaced in time with others having similar interchangeable and operating safety features.

### 4.2 Safety checks

 *Always carry out the safety checks before use.*

- Check the integrity and the correct mounting of all components of the machine;
- make sure that all fastening devices are correctly tightened;
- keep all surfaces of the machine clean and dry.
-  **After a strong impact, turn off the machine immediately. Before restarting the machine, check the integrity of the anti-rotation pins (fig. 4.2. A) and the tightness of the blade fixing screw (fig. 4.2. B).**

## 5. DIAGNOSTICS

| What to do if ....  |  |
|---|--|
| Problem description   | Corrective Action  |
| <b>1. The petrol-driven lawnmower doesn't work</b>                          |  |
| No oil or fuel in the engine  | Check the oil and petrol levels  |
| The spark plug and filter are not in good condition                         | Clean the spark plug and filter which may be dirty or replace them   |
| The lawnmower's fuel tank was not emptied at the end of the previous season | The float may be blocked; tilt the lawnmower on the carburettor side   |
| <b>2. The cut grass is not collected in the grass catcher</b>               |  |
| The cutting means has received a knock                                      | Have the cutting means sharpened or replace it. Check the fins that direct the grass towards the grass catcher   |
| The inside of the chassis is dirty  | Clean the inside of the chassis to ease the grass discharge towards the grass catcher  |
| <b>3. Mowing is difficult</b>   |  |
| The cutting means is not in good condition                                  | Have the cutting means sharpened or replace it   |
| <b>4. The machine starts to vibrate abnormally</b>                          |  |
| Damaged or loose parts  | Stop the machine and disconnect the spark plug cable<br>Inspect for damage<br>Check for and tighten any loose parts<br>Have all checks, repair work and replacements carried out by a specialized Centre only. |

For any doubts or problems, please do not hesitate to contact your nearest Customer Service Centre or Your Dealer.



## **Guarantee**

Congratulations on the purchase of your Mountfield lawnmower. This product has been manufactured to the highest quality standards and is guaranteed for domestic use against faulty parts or manufacture for a period of 5 years subject to it being serviced by an authorised Mountfield service centre before the end of the second year from the date of purchase, and annually thereafter. Failure to keep the machine serviced at these intervals will result in the warranty reverting to a standard 2-year period.

Please note that if the machine is used commercially the guarantee period is 90 days from the date of purchase. If you experience any problem with your Mountfield lawnmower, please call our technical helpline on 0800 121 6585, or ROI 1800 806149 and our operators will endeavour to solve your problem. In the event your problem cannot be resolved over the phone the operator will refer you to one of our local authorised service dealers.

This guarantee is subject to the following terms.

- This guarantee is not transferable. An original proof of purchase will be required in the event of a claim.
- The product must be serviced at the recommended intervals by an authorised service dealer. A service schedule should be kept including invoicing and receipts. Please phone 0800 121 6585, or ROI 1800 806149 to locate your nearest Mountfield service dealer or visit [www.servicelink.org.uk](http://www.servicelink.org.uk). Service procedures (for example carb cleaning, draining engine oil, blade sharpening, belt and cable adjustment) and consumable parts that require periodic replacement (for example the spark plug, air filter and oil), are not covered under this guarantee. This also applies to parts subject to fair wear and tear (for example wheels, bearings, starter cord, cables, belts and blade).
- Delivery and collection of the machine is your responsibility and not covered under this guarantee.
- The guarantee does not cover any breakages or damage that are a result of the following: misuse, alteration, improper assembly or adjustment, neglect or accident.
- Expenses and costs incurred from loss of utility will not be compensated.
- The guarantee does not cover machines that are transported outside of the UK & Eire.
- Where a mower is fitted with an engine not manufactured by Mountfield, the engine manufacturer guarantees the engine.

This guarantee is in addition to and does not detract from your contractual rights under statute or common law.





## NORME DI SICUREZZA da osservare scrupolosamente

### A) ADDESTRAMENTO

- 1) **ATTENZIONE!** Leggere attentamente le presenti istruzioni prima di usare la macchina. Prendere familiarità con i comandi e con un uso appropriato della macchina. Imparare ad arrestare rapidamente il motore. L'inosservanza delle avvertenze e delle istruzioni può causare incendi e/o gravi lesioni. Conservare tutte le avvertenze e le istruzioni per consultarle in futuro.
- 2) Non permettere mai che la macchina venga utilizzata da bambini o da persone che non abbiano la necessaria dimestichezza con le istruzioni. Le leggi locali possono fissare un'età minima per l'utilizzatore.
- 3) Non utilizzare mai il rasaerba con persone, in particolare bambini, o animali nelle vicinanze.
- 4) Non utilizzare mai la macchina se l'utilizzatore è in condizione di stanchezza o malessere, oppure ha assunto farmaci, droghe, alcool o sostanze nocive alle sue capacità di riflessi e attenzione.
- 5) Ricordare che l'operatore o utilizzatore è responsabile di incidenti e imprevisti che si possono verificare ad altre persone o alle loro proprietà. Rientra nella responsabilità dell'utilizzatore la valutazione dei rischi potenziali del terreno su cui si deve lavorare, nonché prendere tutte le precauzioni necessarie per garantire la sua e altrui sicurezza, in particolare sui pendii, terreni accidentati, scivolosi o instabili.
- 6) Nel caso si voglia cedere o prestare ad altri la macchina, assicurarsi che l'utilizzatore prenda visione delle istruzioni d'uso contenute nel presente manuale.

### B) OPERAZIONI PRELIMINARI

- 1) Quando si utilizza la macchina indossare sempre calzature da lavoro resistenti, antiscivolo e pantaloni lunghi. Non azionare la macchina a piedi scalzi o con sandali aperti. Evitare di indossare catene, braccialetti, indumenti con parti svolazzanti, o provvisti di lacci o cravatte. Raccogliere i capelli lunghi. Indossare sempre cuffie protettive.
- 2) Ispezionare a fondo tutta l'area di lavoro e togliere tutto ciò che potrebbe venire espulso dalla macchina o danneggiare il gruppo di taglio e il motore (sassi, rami, fili di ferro, ossi, ecc.)
- 3) **ATTENZIONE: PERICOLO!** La benzina è altamente infiammabile.
  - Conservare il carburante in appositi contenitori;
  - Rabboccare il carburante, utilizzando un imbuto, solo all'aperto e non fumare durante questa operazione e ogni volta che si maneggia il carburante;
  - Rabboccare prima di avviare il motore; non aggiungere benzina o togliere il tappo del serbatoio quando il motore è in funzione o è caldo;
  - Se fuoriesce della benzina, non avviare il motore, ma allontanare la macchina dall'area nella quale il carburante è stato versato, ed evitare di creare possibilità di incendio, fintanto che il carburante non sia evaporato ed i vapori di benzina non si siano dissolti;
  - Rimettere sempre e serrare bene i tappi del serbatoio e del contenitore della benzina.
- 4) Sostituire i silenziatori difettosi.

- 5) Prima dell'uso, procedere ad una verifica generale della macchina ed in particolare:
  - dell'aspetto del dispositivo di taglio, e controllare che le viti e il gruppo di taglio non siano usurati o danneggiati. Sostituire in blocco il dispositivo di taglio e le viti danneggiate o usurate, per mantenere l'equilibratura. Le eventuali riparazioni devono essere eseguite presso un centro specializzato
  - La leva di sicurezza deve avere un movimento libero, non forzato e al rilascio deve tornare automaticamente e rapidamente nella posizione neutra determinando l'arresto del dispositivo di taglio

- 6) Controllare periodicamente lo stato della batteria (se prevista). Sostituirla in caso di danni al suo involucro, al coperchio o ai morsetti.
- 7) Prima di iniziare il lavoro, montare sempre le protezioni all'uscita (sacco di raccolta, protezione di scarico laterale o protezione di scarico posteriore).

### C) DURANTE L'UTILIZZO

- 1) Non azionare il motore in spazi chiusi, dove possono accumularsi pericolosi fumi di monossido di carbonio. Le operazioni di avviamento devono avvenire all'aperto o in luogo ben aerato. Ricordare sempre che i gas di scarico sono tossici.
- 2) Lavorare solamente alla luce del giorno o con buona luce artificiale e in condizioni di buona visibilità. Allontanare persone, bambini e animali dall'area di lavoro.
- 3) Se possibile, evitare di lavorare nell'erba bagnata. Evitare di lavorare sotto la pioggia e con rischio di temporali. Non usare la macchina in condizioni di brutto tempo, specialmente con probabilità di lampi.
- 4) Accertarsi sempre del proprio punto d'appoggio sul terreno in pendenza.
- 5) Non correre mai, ma camminare. Evitare di farsi tirare dal rasaerba.
- 6) Prestare particolare attenzione quando ci si avvicina ad ostacoli che potrebbero limitare la visibilità.
- 7) Tagliare nel senso trasversale del pendio e mai nel senso salita/discesa, facendo molta attenzione ai cambi di direzione e che le ruote non incontrino ostacoli (sassi, rami, radici, ecc.) che potrebbero causare scivolamento laterale o perdita di controllo della macchina.
- 8) La macchina non deve essere utilizzata su pendii superiori a 20°, a prescindere dal senso di marcia.
- 9) Prestare estrema attenzione quando tirate il rasaerba verso di voi. Guardare dietro di sé prima e durante la retro-marcia per assicurarsi che non vi siano ostacoli.
- 10) Fermare il dispositivo di taglio se il rasaerba deve essere inclinato per il trasporto, nell'attraversamento di zone non erbose, e quando il rasaerba viene trasportato da o verso l'area che deve essere tagliata.
- 11) Quando si utilizza la macchina vicino alla strada, fare attenzione al traffico.
- 12) Non utilizzare mai la macchina se i ripari sono danneggiati, oppure senza il sacco di raccolta, la protezione di scarico laterale oppure la protezione di scarico posteriore.
- 13) Prestare molta attenzione in prossimità di dirupi, fossi o argini.
- 14) Avviare il motore con cautela secondo le istruzioni e tenendo i piedi ben distanti dal dispositivo di taglio.
- 15) Non inclinare il rasaerba per l'avviamento. Effettuare

l'avviamento su una superficie piana e priva di ostacoli o erba alta.

16) Non avvicinare mani e piedi accanto o sotto le parti rotanti. Stare sempre lontani dall'apertura di scarico.

17) Non sollevare o trasportare il rasaerba quando il motore è in funzione.

18) Non manomettere o disattivare i sistemi di sicurezza.

19) Non modificare le regolazioni del motore, e non fare raggiungere al motore un regime di giri eccessivo.

20) Non toccare i componenti del motore che si riscaldano durante l'uso. Rischio di ustioni.

21) Nei modelli con trazione, disinnestare l'innesto della trasmissione alle ruote prima di avviare il motore.

22) Utilizzare solo gli accessori approvati dal produttore della macchina.

23) Non utilizzare la macchina se gli accessori/utensili non sono installati nei punti previsti.

24) Disinnestare il dispositivo di taglio, fermare il motore e staccare il cavo della candela (accertandosi che tutte le parti in movimento si siano completamente arrestate):

– Durante il trasporto della macchina;

– Ogni qualvolta si lasci la macchina incustodita. Nei modelli con avviamento elettrico, togliere anche la chiave;

– Prima di rimuovere le cause di bloccaggio o disintasarne il convogliatore di scarico;

– Prima di controllare pulire o lavorare sulla macchina;

– Dopo aver colpito un corpo estraneo. Verificare eventuali danni sulla macchina ed effettuare le necessarie riparazioni prima di usarla nuovamente.

25) Disinnestare il dispositivo di taglio e fermare il motore:

– Prima di fare rifornimento di carburante;

– Ogni volta che si toglie o si rimonta il sacco di raccolta;

– Ogni volta che si toglie o si rimonta il deflettore di scarico laterale;

– Prima di regolare l'altezza di taglio se questa operazione non può essere eseguita dalla postazione del conducente.

26) Durante il lavoro mantenere sempre la distanza di sicurezza dal dispositivo di taglio rotante, data dalla lunghezza del manico.

27) Ridurre il gas prima di fermare il motore. Chiudere l'alimentazione del carburante al termine del lavoro, seguendo le istruzioni fornite sul libretto.

28) **ATTENZIONE** – In caso di rotture o incidenti durante il lavoro, arrestare immediatamente il motore e allontanare la macchina in modo da non provocare ulteriori danni; nel caso di incidenti con lesioni personali o a terzi, attivare immediatamente le procedure di pronto soccorso più adeguate alla situazione in atto e rivolgersi ad una Struttura Sanitaria per le cure necessarie. Rimuovere accuratamente eventuali detriti che potrebbero arrecare danni o lesioni a persone o a animali qualora rimanessero inosservati.

29) **ATTENZIONE** – Il livello di rumorosità e di vibrazioni riportato nelle presenti istruzioni, sono valori massimi di utilizzo della macchina. L'impiego di un elemento di taglio sbilanciato, l'eccessiva velocità di movimento, l'assenza di manutenzione influiscono in modo significativo nelle emissioni sonore e nelle vibrazioni. Di conseguenza è necessario adottare delle misure preventive atte ad eliminare possibili danni dovuti ad un rumore elevato e alle sollecitazioni da vibrazioni; provvedere alla manutenzione della macchina, indossare cuffie antirumore, effettuare delle pause durante il lavoro.

## **D) MANUTENZIONE E MAGAZZINAGGIO**

1) **ATTENZIONE!** – Staccare il cavo della candela e legge-

re le relative istruzioni prima di iniziare qualsiasi intervento di pulizia o manutenzione. Indossare indumenti adeguati e guanti di lavoro in tutte le situazioni di rischio per le mani.

2) **ATTENZIONE!** – Non usare mai la macchina con parti usurate o danneggiate. I pezzi guasti o deteriorati devono essere sostituiti e mai riparati. Usare solo ricambi originali: l'uso di ricambi non originali e/o non correttamente montati compromette la sicurezza della macchina, può causare incidenti o lesioni personali e solleva il Costruttore da ogni obbligo o responsabilità.

3) Tutte le operazioni di manutenzione e di regolazione non descritte in questo manuale devono essere eseguite dal vostro Rivenditore o da un Centro specializzato, che dispone delle conoscenze e delle attrezzature necessarie affinché il lavoro sia correttamente eseguito, mantenendo il grado di sicurezza originale della macchina. Operazioni eseguite presso strutture inadeguate o da persone non qualificate comportano il decadimento di ogni forma di Garanzia e di ogni obbligo o responsabilità del Costruttore.

4) Dopo ogni uso, scollegare il cavo della candela e controllare eventuali danni.

5) Mantenere serrati dadi e viti, per essere certi che la macchina sia sempre in condizioni sicure di funzionamento. Una manutenzione regolare è essenziale per la sicurezza e per mantenere il livello delle prestazioni.

6) Controllare regolarmente che le viti del dispositivo di taglio siano serrate correttamente.

7) Indossare guanti da lavoro per maneggiare il dispositivo di taglio, per smontarlo o rimontarlo.

8) Curare l'equilibratura del dispositivo di taglio quando viene affilato. Tutte le operazioni riguardanti il dispositivo di taglio (smontaggio, affilatura, equilibratura, rimontaggio e/o sostituzione) sono lavori impegnativi che richiedono una specifica competenza oltre all'impiego di apposite attrezzature; per ragioni di sicurezza, occorre pertanto che siano sempre eseguiti presso un centro specializzato.

9) Durante le operazioni di regolazione della macchina, prestare attenzione ad evitare che le dita rimangano intrappolate fra il dispositivo di taglio in movimento e le parti fisse della macchina.

10) Non toccare il dispositivo di taglio fintanto che non sia stato staccato il cavo della candela e che il dispositivo di taglio non sia completamente fermo. Durante gli interventi sul dispositivo di taglio, fare attenzione che il dispositivo di taglio può muoversi, anche se il cavo della candela è staccato.

11) Controllare di frequente la protezione di scarico laterale, oppure la protezione di scarico posteriore, il sacco di raccolta. Sostituirli se danneggiati.

12) Sostituire gli adesivi che riportano istruzioni e messaggi di avvertenza, se danneggiati.

13) Riporre la macchina in un luogo inaccessibile ai bambini.

14) Non riporre la macchina con della benzina nel serbatoio in un locale dove i vapori di benzina potrebbero raggiungere una fiamma, una scintilla o una forte fonte di calore.

15) Lasciare raffreddare il motore prima di collocare la macchina in un qualsiasi ambiente.

16) Per ridurre il rischio di incendio, mantenere il motore, il silenziatore di scarico, l'alloggiamento della batteria e la zona di magazzino della benzina liberi da residui d'erba, foglie o grasso eccessivo. Svuotare il sacco di raccolta e non lasciare contenitori con l'erba tagliata all'interno di un locale.

17) Per ridurre il rischio di incendi, controllare regolarmente che non vi siano perdite di olio e/o carburante.

18) Se il serbatoio deve essere vuotato, effettuare questa

operazione all'aperto e a motore freddo.

## E) TRASPORTO E MOVIMENTAZIONE

1) Ogni volta che è necessario movimentare, sollevare, trasportare o inclinare la macchina occorre:

- Indossare robusti guanti da lavoro;
  - Afferrare la macchina in punti che offrano una presa sicura, tenendo conto del peso e della sua ripartizione
  - Impiegare un numero di persone adeguato al peso della macchina e alle caratteristiche del mezzo di trasporto o del posto nel quale deve essere collocata o prelevata
  - Assicurarsi che la movimentazione della macchina non produca perdite di benzina o causi danni o lesioni.
- 2) Durante il trasporto, assicurare adeguatamente la macchina mediante funi o catene.

## G) TUTELA AMBIENTALE

1) La tutela dell'ambiente deve essere un aspetto rilevante e prioritario nell'uso della macchina, a beneficio della convivenza civile e dell'ambiente in cui viviamo. Evitare di essere un elemento di disturbo nei confronti del vicinato.

2) Seguire scrupolosamente le norme locali per lo smaltimento di imballi, olii, benzina, filtri, parti deteriorate o qualsiasi elemento a forte impatto ambientale; questi rifiuti non devono essere gettati nella spazzatura, ma devono essere separati e conferiti agli appositi centri di raccolta, che provvederanno al riciclaggio dei materiali.

3) Seguire scrupolosamente le norme locali per lo smaltimento dei materiali di risulta dopo il taglio.

4) Al momento della messa fuori servizio, non abbandonare la macchina nell'ambiente, ma rivolgersi a un centro di raccolta, secondo le norme locali vigenti.

## CONOSCERE LA MACCHINA

### DESCRIZIONE DELLA MACCHINA E CAMPO DI UTILIZZO

Questa macchina è una attrezzatura da giardinaggio e precisamente un rasaerba con operatore a piedi.

La macchina si compone essenzialmente di un motore, che aziona un dispositivo di taglio racchiuso in un carter, dotato di ruote e di un manico.

L'operatore è in grado di condurre la macchina e di azionare i comandi principali mantenendosi sempre dietro al manico, e quindi a distanza di sicurezza dal dispositivo di taglio rotante. L'allontanamento dell'operatore dalla macchina provoca l'arresto del motore e del dispositivo di taglio entro alcuni secondi.

#### Uso previsto

Questa macchina è progettata e costruita per tagliare (e raccogliere) l'erba in giardini e aree erbose, di estensione rapportata alla capacità di taglio, eseguita con la presenza di un operatore a piedi.

La presenza di accessori o di dispositivi specifici può evitare la raccolta dell'erba tagliata oppure produrre un effetto "mulching" con deposizione dell'erba tagliata sul terreno.

#### Tipologia di utente

Questa macchina è destinata all'utilizzo da parte di consu-

matori, cioè operatori non professionisti. Questa macchina è destinata ad un "uso hobbistico"

#### Uso improprio

Qualsiasi altro impiego, difforme da quelli sopra citati, può rivelarsi pericoloso e causare danni a persone e/o cose. Rientrano nell'uso improprio (come esempio, ma non solo):

- trasportare sulla macchina persone, bambini o animali;
- farsi trasportare dalla macchina;
- usare la macchina per trainare o spingere carichi;
- usare la macchina per la raccolta di foglie o detriti;
- usare la macchina per regolarizzare siepi, o per il taglio di vegetazione di tipo non erboso;
- utilizzare la macchina in più di una persona;
- azionare il dispositivo di taglio nei tratti non erbosi.

### ETICHETTA DI IDENTIFICAZIONE E COMPONENTI DELLA MACCHINA (vedi figure a pag. ii)

1. Livello potenza acustica
2. Marchio di conformità CE
3. Anno di fabbricazione
4. Tipo di rasaerba
5. Numero di matricola
6. Nome e indirizzo del Costruttore
7. Codice Articolo
8. Potenza nominale e velocità massima di funzionamento motore
9. Massa della macchina con serbatoio vuoto in kg.
11. Chassis
12. Motore
13. Dispositivo di taglio
14. Protezione di scarico posteriore
- 14a. Deflettore di scarico laterale (se previsto)
- 14b. Protezione di scarico laterale (se prevista)
15. Sacco di raccolta
16. Manico
17. Acceleratore
18. Leva freno motore / dispositivo di taglio
19. Leva innesto trazione

Immediatamente dopo l'acquisto della macchina, trascrivere i numeri di identificazione (3 - 4 - 5) negli appositi spazi sull'ultima pagina del manuale.

L'esempio della dichiarazione di conformità si trova nella penultima pagina del manuale.

### DESCRIZIONE DEI SIMBOLI RIPORTATI SUI COMANDI (dove previsti)

21. Lento
22. Veloce
23. Starter
24. Arresto motore
25. Trazione inserita

**PRESCRIZIONI DI SICUREZZA** - Il vostro rasaerba deve essere utilizzato con prudenza. A tale scopo, sulla macchina sono stati posti dei pittogrammi, destinati a ricordarvi le principali precauzioni d'uso. Il loro significato è spiegato qui di seguito. Vi raccomandiamo inoltre di leggere attentamente le norme di sicurezza riportate nell'apposito capitolo del presente libretto.

Sostituire le etichette danneggiate o illeggibili.

41. Attenzione: Leggere il libretto di istruzioni prima di usare la macchina.
42. Rischio di espulsione. Tenere le persone al di fuori dell'area di lavoro, durante l'uso.
43. Rischio di tagli. Dispositivo di taglio in movimento. Non introdurre mani o piedi all'interno dell'alloggiamento del dispositivo di taglio. Scollegare il cappuccio della candela e leggere le istruzioni prima di effettuare qualsiasi operazione di manutenzione o riparazione.

## NORME D'USO

Per il motore e la batteria (se prevista) leggere i relativi manuali di istruzioni.

**NOTA** - La corrispondenza fra i riferimenti contenuti nel testo e le rispettive figure (poste alle pagg. iii e seguenti) è data dal numero che precede ciascun paragrafo.

### 1. COMPLETARE IL MONTAGGIO

**NOTA** La macchina può essere fornita con alcuni componenti già montati.

**ATTENZIONE!** Lo sbaliggio e il completamento del montaggio devono essere effettuati su una superficie piana e solida, con spazio sufficiente alla movimentazione della macchina e degli imballi, avvalendosi sempre degli attrezzi appropriati.

Lo smaltimento degli imballi deve avvenire secondo le disposizioni locali vigenti.

#### 1.1 Montaggio del manico

Introdurre nei rispettivi fori le parti inferiori destra (1) e sinistra (2) del manico e fissarle con le viti (3) e le rondelle (4) in dotazione.

Applicare i due tappi (5) alle estremità delle due parti inferiori del manico (1) e (2).

Fissare la parte superiore del manico (6) alle parti inferiori tramite le manopole (7) e la viteria in dotazione, come indicato.

Introdurre le fune di avviamento (8) nella guida (9) e bloccare il dado (10).

Applicare il fermacavo (11) nella posizione indicata e fissare i cavi dei comandi.

#### 1.2 Montaggio del sacco di raccolta

Introdurre il telaio (11) nel sacco (12) e agganciare tutti i profili in plastica (13), aiutandosi con un cacciavite, come indicato nella figura.

## 2. DESCRIZIONE DEI COMANDI

**NOTA** Il significato dei simboli riportati sui comandi è spiegato nelle pagine precedenti.

#### 2.1 Comando acceleratore

L'acceleratore è comandato dalla leva (1).

Le posizioni della leva sono indicate dalla relativa targhetta.

Su alcuni modelli è previsto un motore senza acceleratore.

#### 2.2 Leva freno motore / dispositivo di taglio

Il freno del dispositivo di taglio è comandato dalla leva (1), che dovrà essere tenuta contro il manico per l'avviamento

e durante il funzionamento del rasaerba.

Il motore si arresta al rilascio della leva.



Leva OPC (leva Presenza operatore) è rilasciata: motore si ferma.

#### 2.3 Leva innesto trazione (se presente)

Nei modelli con trazione, l'avanzamento del rasaerba avviene con la leva (1) spinta contro il manico.

Il rasaerba smette di avanzare al rilascio della leva.

L'avviamento del motore deve avvenire sempre con la trazione disinserita.



La trasmissione è attiva.

**ATTENZIONE!** Per evitare di danneggiare la trasmissione, evitare di tirare all'indietro la macchina con la trasmissione innestata.

#### 2.4 Regolazione altezza taglio

La regolazione dell'altezza di taglio si effettua per mezzo delle apposite leve (1).

Le quattro ruote dovranno essere regolate alla medesima altezza.

ESEGUIRE L'OPERAZIONE A DISPOSITIVO DI TAGLIO FERMO.

## 3. TAGLIO DELL'ERBA

**NOTA** Questa macchina permette di effettuare la rasatura del prato in diverse modalità; prima di iniziare il lavoro è opportuno predisporre la macchina in base a come si intende eseguire la rasatura.

ESEGUIRE L'OPERAZIONE A MOTORE SPENTO.

#### 3.1 Predisposizione per il taglio e la raccolta dell'erba nel sacco di raccolta

Sollevare la protezione di scarico posteriore (1) e agganciare correttamente il sacco di raccolta (2) come indicato nella figura.

#### 3.2 Avviamento del motore

Per l'avviamento, seguire le indicazioni del libretto del motore, quindi tirare la leva del freno del dispositivo di taglio (1) contro il manico e dare un deciso strappo dalla manopola della fune di avviamento (2).

#### 3.3 Taglio dell'erba

L'aspetto del prato sarà migliore se i tagli saranno effettuati sempre alla stessa altezza e alternativamente nelle due direzioni.

Quando il sacco di raccolta diventa troppo pieno, la raccolta dell'erba non è più efficiente e il rumore del rasaerba cambia.

Per rimuovere e svuotare il sacco di raccolta,

- arrestare il motore e attendere l'arresto del dispositivo di taglio;
- sollevare la protezione di scarico posteriore, afferrare la maniglia e rimuovere il sacco di raccolta mantenendolo in posizione eretta.

#### Consigli per la cura del prato

Ogni tipologia di erba presenta caratteristiche diverse e può richiedere quindi diverse modalità per la cura del prato; leggere sempre le indicazioni contenute nelle confezioni

delle sementi riguardo l'altezza di rasatura, rapportate alle condizioni di crescita della zona in cui si opera.

Occorre tenere presente che la maggior parte dell'erba è composta da uno stelo e da una o più foglie. Se le foglie vengono tagliate completamente, il prato si danneggia e la ricrescita sarà più difficile.

In linea generale, possono valere le seguenti indicazioni:

- un taglio troppo basso provoca strappi e diradamenti nel tappeto erboso, con un aspetto "a macchie";
- in estate, il taglio deve essere più alto per evitare il disseccamento del terreno;
- non tagliare l'erba quando è bagnata; ciò può ridurre l'efficienza del dispositivo di taglio per l'erba che vi si attacca e provocare strappi nel tappeto erboso;
- nel caso di erba particolarmente alta, è bene eseguire una prima rasatura alla massima altezza consentita dalla macchina, seguita da una seconda rasatura a distanza di due o tre giorni.

### 3.4 Termine del lavoro

Al termine del lavoro, rilasciare la leva (1) del freno e scollegare il cappuccio della candela (2).

ATTENDERE L'ARRESTO DEL DISPOSITIVO DI TAGLIO prima di effettuare qualsiasi tipo di intervento.

## 4. MANUTENZIONE ORDINARIA

Conservare il raserba in luogo asciutto.

**IMPORTANTE** *La manutenzione regolare e accurata è indispensabile per mantenere nel tempo i livelli di sicurezza e le prestazioni originali della macchina.*

Ogni operazione di regolazione o manutenzione deve essere eseguita a motore fermo, con il cavo della candela staccato.

- 1) Indossare robusti guanti da lavoro prima di ogni intervento di pulizia, manutenzione o regolazione sulla macchina.
- 2) Lavare accuratamente la macchina con acqua dopo ogni taglio; rimuovere i detriti d'erba e il fango accumulati all'interno dello chassis per evitare che, disseccandosi, possano rendere difficoltoso il successivo avviamento.
- 3) Nel caso fosse necessario accedere alla parte inferiore, inclinare la macchina esclusivamente dal lato indicato sul libretto del motore, seguendo le relative istruzioni, accertandosi della stabilità della macchina prima di eseguire qualsiasi tipo di intervento.
- 4) Evitare di versare benzina sulle parti in plastica del motore o della macchina per evitare di danneggiarle, e ripulire immediatamente ogni traccia di benzina eventualmente versata. La garanzia non copre i danni alle parti in plastica causati dalla benzina.

### 4.1 Manutenzione del dispositivo di taglio

Ogni intervento sul dispositivo di taglio è opportuno che venga eseguito presso un Centro specializzato, che dispone delle attrezzature più idonee.

Su questa macchina è previsto l'impiego di un dispositivo di taglio riportante il codice indicato nella tabella a pagina ii. Data l'evoluzione del prodotto, il dispositivo di taglio sopra citato potrebbe essere sostituito nel tempo da altro, con caratteristiche analoghe di intercambiabilità e sicurezza di funzionamento.

## 4.2 Controlli di sicurezza

⚠ *Effettuare sempre i controlli di sicurezza prima dell'uso.*

- Verificare l'integrità e il corretto montaggio di tutti i componenti della macchina;
- assicurarsi del corretto serraggio di tutti i dispositivi di fissaggio;
- mantenere pulita e asciutta ogni superficie della macchina.

• ⚠ *Dopo un forte urto, spegnere la macchina.*

**Prima di riavviare la macchina, verificare l'integrità dei perni anti rotazione (fig. 4.2.A) e la chiusura della vite fissaggio lama (fig. 4.2.B).**

## 5. DIAGNOSTICA

| Cosa fare se ...  |   |
|---|---|
| Origine del problema  | Azione correttiva   |
| <b>1. Il raserba a benzina non funziona</b>                                 |   |
| Manca l'olio o la benzina nel motore  | Procedere al controllo dei livelli dell'olio e della benzina  |
| La candela e il filtro non sono in buono stato                              | Pulire la candela e il filtro che possono essere imbrattati o sostituirli   |
| Non è stata svuotata la benzina dal raserba alla fine della scorsa stagione | Il galleggiante può essere bloccato; inclinate il raserba dal lato del carburatore  |
| <b>2. L'erba tagliata non viene più raccolta nel sacco di raccolta</b>      |   |
| Il dispositivo di taglio ha ricevuto un colpo                               | Affilare il dispositivo di taglio o sostituirlo. Verificare le alette che orientano l'erba verso il sacco di raccolta   |
| L'interno dello chassis è sporco  | Pulire l'interno dello chassis per facilitare l'evacuazione dell'erba verso il sacco di raccolta  |
| <b>3. L'erba si taglia con difficoltà</b>                                   |   |
| Il dispositivo di taglio non è in buono stato                               | Affilare il dispositivo di taglio o sostituirlo.  |
| <b>4. La macchina comincia a vibrare in modo anomalo</b>                    |   |
| Danneggiamento o parti allentate  | Fermare la macchina e staccare il cavo della candela<br>Verificare eventuali danneggiamenti<br>Controllare se vi siano parti allentate e serrarle<br>Provvedere alle verifiche, sostituzioni o riparazioni presso un Centro Specializzato |

In caso di qualsiasi dubbio o problema, non esitate a contattare il Servizio Assistenza più vicino o il Vostro Rivenditore.

# CERTIFICATE OF CONFORMITY

A certificate of conformity is enclosed with the documentation as a separate document.  
An EXAMPLE is shown below.

## DICHIARAZIONE CE DI CONFORMITÀ (Istruzioni Originali) (Direttiva Macchine 2006/42/CE, Allegato II, parte A)

1. La Società: ST. S.p.A. – Via del Lavoro, 6 – 31033 Castelfranco Veneto (TV) – Italy
2. Dichiara sotto la propria responsabilità, che la macchina:  
Tosaerba con conducente a piedi (taglio erba)

|                         |                                 |
|-------------------------|---------------------------------|
| a) Tipo / Modello Base: | EP 414 - EP 414 TR              |
| c) Numero di Serie:     | 25A••WBH000001 ÷ 99L••WBH999999 |
| d) Motore::             | a scoppio                       |

3. È conforme alle specifiche delle direttive:

- MD: 2006/42/EC
- OND: 2000/14/EC, ANNEX VI - 2005/88/EC - (EU) 2024/1208
  - e) Notified body N. 0197 – TÜV Rheinland LGA Products GmbH  
Tillystrasse 2, 90431 Nürnberg – Germany
- EMCD: 2014/30/EU
- RoHS II: 2011/65/EU - 2015/863/EU

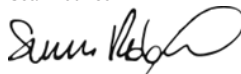
4. Riferimento alle norme armonizzate::

EN ISO 5395-1:2013 + A1:2018  
EN ISO 5395-2:2013 + A1:2016 + A2:2018  
EN 55012:2007 + A1:2009  
EN ISO 14982:2009  
EN IEC 63000:2013

g) Livello di potenza sonora misurato: 92,8 dB(A)  
Livello di potenza sonora garantito: 93 dB(A)  
Lunghezza di taglio: 39 cm

n) Persona autorizzata a costituire il Fascicolo Tecnico: ST. S.p.A.  
Via del Lavoro, 6  
31033 Castelfranco Veneto (TV) - Italia

o) Castelfranco Veneto, 20/11/2025  
CEO Stiga Group  
Sean Robinson





**Stiga LTD (UK Importer)**  
**6 Stansted Courtyard, Parsonage Road, Takeley,**  
**Bishop's Stortford, Essex,England, CM22 6PU,**  
**United Kingdom**

*manufactured by ST. S.p.A. Via del Lavoro 6 ,  
31033 Castelfranco Veneto (TV) Italy*