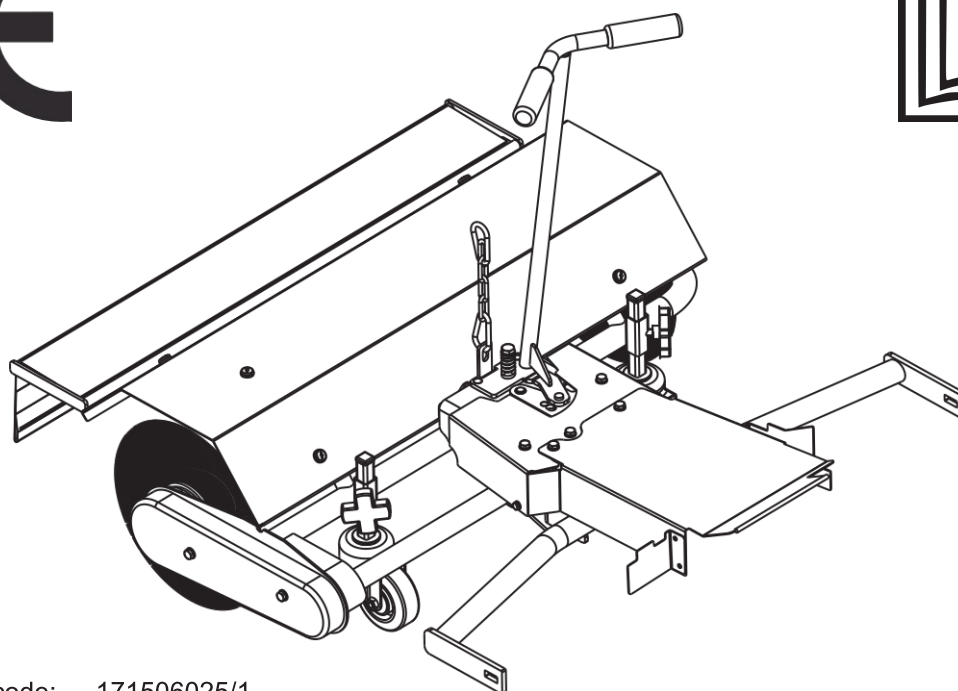
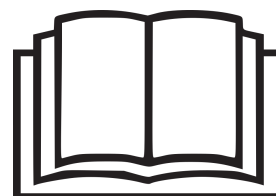


BG	МЕТЛА
BS	ČISTAČ
CS	ZAMETAČ
DA	FEJEKOSTFEIE
DE	FRONTKEHRMASCHINE
EL	ΒΟΥΡΤΣΑ
EN	SWEeper
ES	BARREDERA
ET	PÜHKIMISMASIN
FI	HARJA
FR	BALAYEUSE
HR	ČISTAČ
HU	SEPRŐGÉP
IT	SPAZZINO
LT	VALYMO PRIETAISAS
LV	SLAUCĪTĀJS
MK	МЕТАЧ
NL	FRONTBORSTEL
NO	BØSTE
PL	ZAMIATARKA
PT	VARREDOR
RO	MĂTURĂTOARE MECANICĂ
RU	ПОДМЕТАЛЬНО-УБОРОЧНАЯ МАШИНА
SK	ZAMETACÍ STROJ
SL	POMETALO
SR	RALICA
SV	SOPAGGREGAT
TR	TRAKTÖR ÖNÜ

Упътване за употреба
Priručnik s uputam
Instruktionsmanual
Instruktionsmanual
Gebrauchsanweisung
Χρήση και συντήρηση
Instruction manual
Uso y mantenimiento
Kasutusjuhend
Käyttöohje
Manuel d'utilisation
Priručnik za uporabu
Használati utasítás
Manuale di istruzioni
Vartojimo instrukcija
Operatora rokasgrāmata
Упатство за употреба
Gebruikershandleiding
Bruksanvisning – vedlikehold
Instrukcje obsługi
Manual de uso
Manual de instrucțiuni
Руководство по эксплуатации
Návod na použitie
Priložnik z navodili
Priručnik sa uputstvom
Bruksanvisning och underhåll
Kullanım kilavuzu



STIGA manual code: 171506025/1
KOVA manual code: 10189

Rev 1.06

MADE IN FINLAND BY KOVA

Type: PVA 101
Art. No: 13-3918-61

SYMBOLS

The following symbols can be found on the machine to remind you of the care and attention that are required during use. The symbols mean:



Warning!

Read the instruction manual and the safety manual before using the machine.



Warning!

Keep hands and feet away from the rotating parts of the machinery.



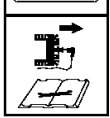
Warning!

Watch out for discarded objects. Keep onlookers away.



Warning!

Before starting repair work, remove the spark plug cable from the spark plug.



Warning!

Never use the machine with damaged protections or without the safeguards fitted in place.

SAFETY REGULATIONS

These regulations should be read carefully by everyone using the machine.

Tell everyone who wants to use the sweeper what the risks involved are, and how accidents can be avoided.

Keep hands and feet away from the rotating parts of the machinery.

The fewer people there are near the machine, the less risk there is of anyone being hurt by stones or other hard objects thrown out by the brushes.

Keep children clear of the working area of the machine at all times. Have another adult person keep an eye on the children.

Be careful when reversing. Look back before and during reversing to check for obstacles. Beware of small children.

Do not drive too near ditches or high kerbs. The machine may overturn if a wheel goes over the edge or a shoulder gives away.

When clearing snow, never point the sweeper in the direction of people, animals, windows etc. Stones may be hidden in the snow, and may be thrown out with considerable force.

Always switch off the engine before cleaning the sweeper, or carrying out repairs, adjustments or inspections. Tighten all nuts and screws to ensure that the machine is in a safe working condition.

Always use **original spare** parts. Using nonoriginal parts may involve a risk of damage, even if they fit the machine.

ASSEMBLY

1. Install the swing lever (fig 1, fig 2).
2. Dismantle the mower deck. Remove the drive belt for the mower deck, and fit the belt supplied with the sweeper.
3. Force the V-belt onto the machine's pulley A (fig. 3).
4. Tension the belt with belt idler B (fig. 3).
5. Install belt guards (Fig. 6).
6. Fit the chain to the lift arm.

USING THE MACHINE

SETTING THE GROUND PRESSURE

The ground pressure, i.e. the lie of the brushes against the ground (fig 4). Never use the sweeper with the ground pressure set too high, as this will result in increased wear on the brushes.

SETTING THE BRUSHES DIAGONALLY

The sweeper can be set in any of three positions: diagonally to the right or left, or at right angles to the direction of travel (fig 5).

OPERATING TIPS

When the sweeper is to be used for clearing snow, check the area to be cleared, and remove all stones and other foreign objects, before the first fall of snow.

To obtain the best results, clear snow as soon as possible after it has fallen. If there is a wind blowing, snow or sand clearing operations should be carried out in the same direction as the wind.

To avoid throwing out too much dust when clearing sand, wet the surface to be cleared before starting clearing operations.

It is usually a good idea to operate with the sweeper brushes angled towards the appropriate side.

Where the distance to or from the area to be cleared is a long one, set the sweeper brushes at right angles to the direction of travel, and disconnect the power take-off.

AFTER USE

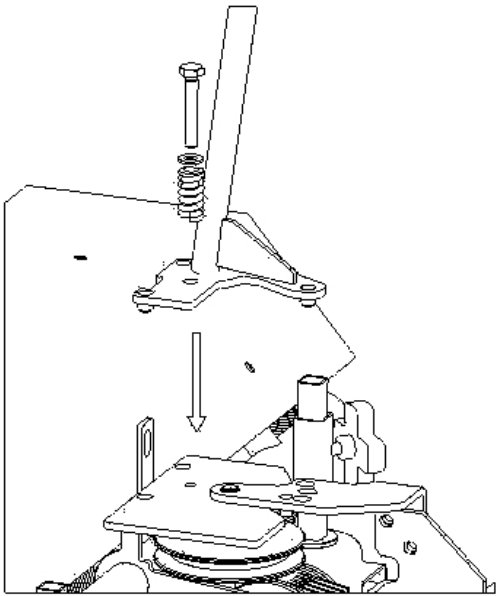
Always clean the sweeper after use. This ensures a longer life, and a proper function of the sweeper.

SERVICE

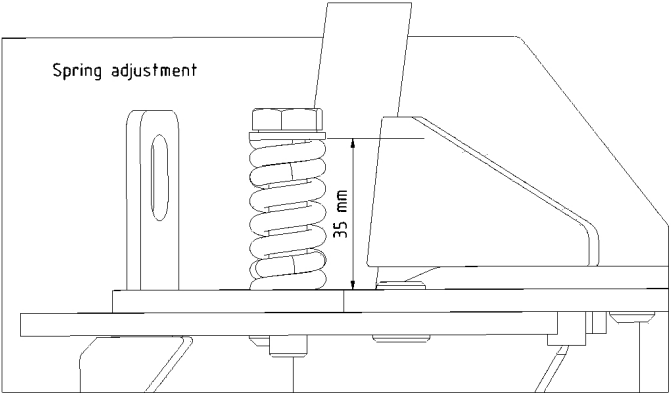
Authorized service work shops will carry out repairs and service under guarantee. They use **original spare parts**. Do you prefer to carry out simple repairs yourself? Always use **original spare parts**. They fit the machine without the necessity for any modifications, and make the job easier. Spare parts are obtainable from authorized service work shops.

ACCESSORIES

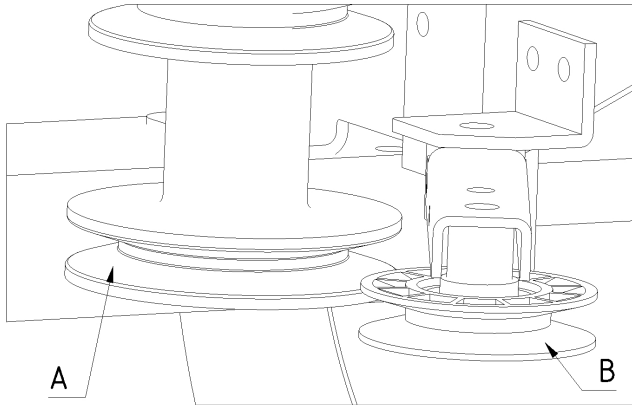
Dust shield, for fitting on the front edge of the guard shield.



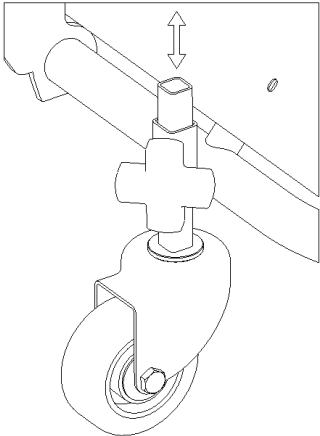
Picture 1



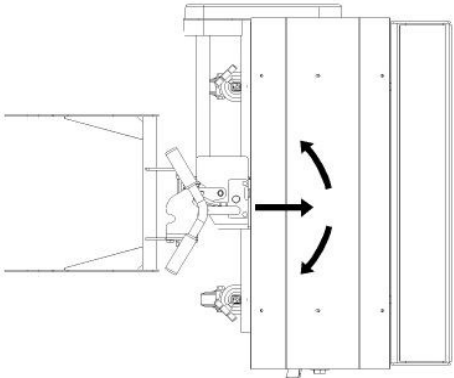
Picture 2



Picture 3

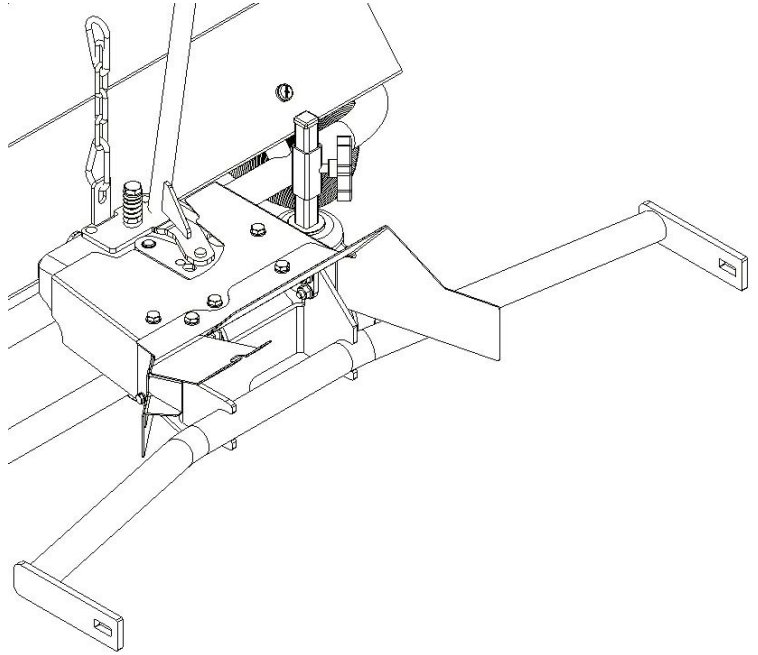


Picture 4

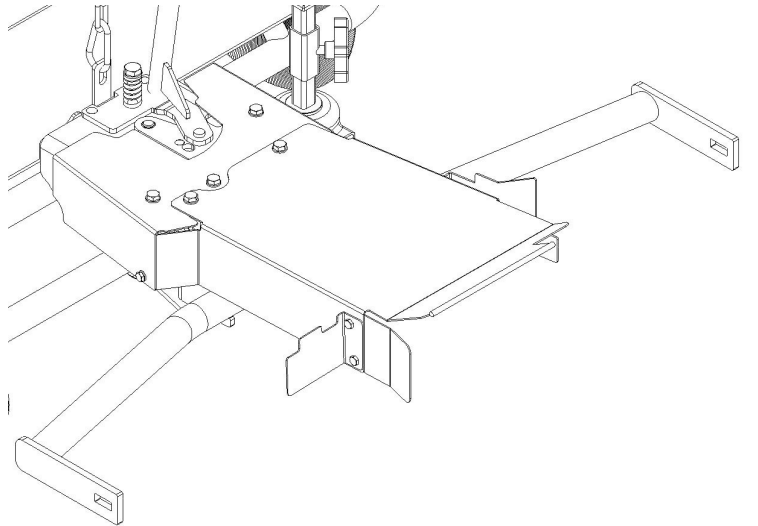


Picture 5

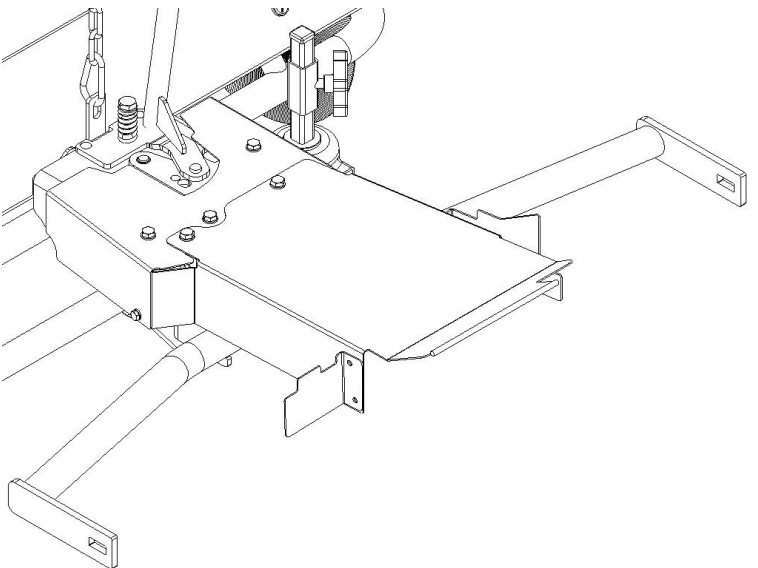
STIGA VILLA



STIGA PARK 2 WD



STIGA PARK 4 WD



CERTIFICATE

Manufacturer: KONEPAJA A. VANNE, KOVA, Veistämöntie 16, FIN-24800 HALIKKO, FINLAND, hereby certifies that the machine of type PVA101 conforms to Machine Directive 2006/42/EC concerning essential health and safety requirements in relation to design and manufacture.

Issued at Halikko 2015.

EN**ΠΙΣΤΟΠΟΙΗΤΙΚΟ**

Κατασκευαστής: ΚΟΝΕΡΑΙΑ Α. ΒΑΝΝΕ, ΚΟΒΑ, οδός Βεϊστάμντιε 16, FIN-24800 HALIKKO, ΦΙΝΛΑΝΔΙΑ, με το παρόν πιστοποιεί ότι η μηχανή τύπου PVA101 πληροί τους όρους της Οδηγίας σχετικά με τα Μηχανήματα 2006/42/ΕΕ που αφορά τις βασικές απαιτήσεις υγείας και ασφάλειας αναφορικά με το σχεδιασμό και την κατασκευή.

Εκδόθηκε στην Halikko 2015.

EL**ATTESTATION**

Fabricant: KONEPAJA A. VANNE, KOVA, Veistämöntie 16, FIN-24800 HALIKKO, FINLAND, atteste par la presente que la machine de type PVA101 est conforme aux Directives Machines 2006/42/EC concernant les exigences principales en matiere desante et de securite au niveau de la construction et de la fabrication.

Fait a Halikko e 2015.

FR**SERTİFİKA**

İmalatçı: KONEPAJA A. VANNE, KOVA, Veistämöntie 16, FIN-24800 HALIKKO, FINLAND, tasarım ve imalata ilişkin gerekli sağlık ve güvenlik koşullar konusunda makine türü PVA101 Machine Directive 2006/42/EC yi kurallara uyduğunu işbu belgeyle onaylar.

Verilen yer: Halikko 2015.

TR**BESCHEINIGUNG**

Hersteller: KONEPAJA A. VANNE, KOVA, Veistämöntie 16, FIN-24800 HALIKKO, FINLAND, bestätigt hiermit, das die maschine vom Typ PVA101 mit den Maschinenrichtlinien 2006/42/ EC der Richtlinie über die wichtigsten Gesundheits- und Sicherheitsanforderungen im Zusammenhang mit Konstruktion und Herstellung, übereinstimmt.

Ausgestellt in Halikko 2015.

DE**СЕРТИФИКАТ**

Производител: КΟΝΕΡΑΙΑ Α. ΒΑΝΝΕ, ΚΟΒΑ, Βεϊστάμντιε 16, FIN-24800 HALIKKO, ΦΙΝΣΚΑ, со ова потврдува дека машината од типот PVA101 е во согласност со Директивата за машини 2006/42/EC, којашто се однесува на основните барања за здравје и безбедност во врска со дизајн и производство.

Издаден во Halikko 2015.

MK**CERTIFICATO**

Produttore: KONEPAJA A. VANNE, KOVA, Veistämöntie 16, FIN-24800 HALIKKO, FINLANDIA, attesta con il presente certificato che la macchina di tipo PVA101 e conforme alla Direttiva Macchine 2006/42/EC concernente i requisiti essenziali in materia di salute e sicurezza in relazione alla progettazione e alla fabbricazione.

Rilasciato ad Halikko nei 2015.

IT**ATTEST**

Produsent: KONEPAJA A. VANNE, KOVA, Veistämöntie 16, FIN-24800 HALIKKO, FINLAND, forsikrer herved at maskinen av type PVA101 er i overensstemmelse med EUs Maskindirektiv 2006/42/EC om vesentlige helse- og sikkerhetskrav i forbindelse med konstruksjon och produksjon.

Utfærdiget i Halikko 2015.

NO**CERTIFICAAT**

Fabrikant: KONEPAJA A. VANNE, KOVA, Veistämöntie 16, FIN-24800 HALIKKO, FINLAND, verklaart hierbij dat de machine van het type PVA101 voldoet aan Machine-richtlijnen 2006/42/EC van de richtlijn inzake essentiële gezondheids- en veiligheidsisen met betrekking tot ontwerp en productie.

Afgegeven te Halikko 2015.

NL**INTYG**

Tillverkare: KONEPAJA A. VANNE, KOVA, Veistämöntie 16, FIN-24800 HALIKKO, FINLAND, försäkrar härmed att maskintyp PVA101 är överensstämmelse med maskindirektivet 2006/42/EC om väsentliga hälso- och säkerhetskrav i samband med konstruktion och tillverkning.

Utfärdat i Halikko 2015.

SV**CERTIFICADO**

Por la presente, el fabricante: KONEPAJA A. VANNE, KOVA, Veistämöntie 16, FIN-24800 HALIKKO, FINLANDIA, certifica que la maquina de PVA101 sigue la directiva 2006/42/EC donde se estipulan los principales requisitos en materia de salud y seguridad relativos al diseno y fabricacion.

Emitido en Halikko 2015.

ES**BEVIS**

Fremstiller: KONEPAJA A. VANNE, KOVA, Veistämöntie 16, FIN-24800 HALIKKO, FINLAND, forsikrer hermed, at maskinen af type PVA101 er i overensstemmelse med EUs maskindirektiv 2006/42/EC om vesentlige sundheds- og sikkerhedskrav i forbindelse med konstruktion och fremstilling.

Utfærdiget Halikko 2015.

DA**CERTIFICADO**

Fabricante: KONEPAJA A. VANNE, KOVA, Veistämöntie 16, FIN-24800 HALIKKO, FINLANDIA, certifica, por este meio, que a maquina do tipo PVA101 esta em conformidade com a Directiva 2006/42/EC sobre requisitos essenciais de saude e seguranca relativamente ao desenho e ao fabrico.

Emitido em Halikko em 2015.

PT**TODISTUS**

Valmistaja: KONEPAJA A. VANNE, KOVA, Veistämöntie 16, FIN-24800 HALIKKO, FINLAND, vakuuttaa, etta kone tyyppi PVA101 on konedirektiivin 2006/42/EC mukainen huomioiden erityisesti oleelliset terveys- ja turvallisuusvaatimukset, jotka koskevat koneiden suunnittelua ja rakennetta.

Laadittu Halikossa 2015.

FI

OSVĚDČENÍ

Výrobce: KONEPAJA A. VANNE, KOVA, Veistämöntie 16, FIN- 24800 HALIKKO, FINLAND, tímto prohlašuje, že stroj typu PVA101 splňuje směrnice 2006/42/E týkající se základních zdravotních a bezpečnostních požadavků na konstrukci a zpracování.

Vydáno v Halikko 2015.

CS**CERTIFIKÁT**

Výrobca: KONEPAJA A. VANNE, KOVA, Veistämöntie 16, FIN-24800 HALIKKO, FÍNSKO, týmto potvrdzuje, že stroj typu PVA101 splňa požiadavky smernice 2006/42/ES o strojových zariadeniach súvisiace so základnými požiadavkami na ochranu zdravia a bezpečnosť pri práci, pokiaľ ide o konštrukciu a výrobu.

Vydané v Halikko 2015.

SK**ZAŚWIADCZENIE**

Producent: KONEPAJA A. VANNE, KOVA, Veistämöntie 16, FIN-24800 HALIKKO, FINLANDIA, niniejszym zaświadcza, że maszyna typu PVA101 jest zgodna z Dyrektywą w sprawie maszyn nr 2006/42 / WE odnośnie wymagań bezpieczeństwa i ochrony zdrowia w związku z jej budową i produkcją.

Wydane w Halikko 2015.

PL**CERTIFICAT**

Producătorul: KONEPAJA A. VANNE, KOVA, Veistämöntie 16, FIN-24800 HALIKKO, FINLANDA, certifică prin prezenta că echipamentul de tipul PVA101 este în conformitate cu Directiva privind mașinile industriale 2006/42/CE cu referire la cerințele esențiale referitoare la sănătatea și siguranță, în ceea ce privește proiectarea și fabricarea.

Emis la Halikko 2015.

RO**TANUSITVANY**

Gyártó: KONEPAJA A. VANNE, KOVA, Veistämöntie 16, FIN- 24800 HALIKKO, FINNORSZAG, ezennel tanúsítja, hogy a PVA101 típusú gép megfelel a gépektől szolo 2006/42/EC tekintettel a tervezessel es a gyártással kapcsolatos egeszsegugyi es munkabiztonsagi követelményekre.

Kibocsatva Halikkoban, 2015-ban.

HU**SERTIFIKATAS**

Gamintojas: KONEPAJA A. VANNE, KOVA, Veistämöntie 16, FIN-24800 HALIKKO, SUOMIJA, šiuo patvirtina, kad PVA101 tipo mašina atitinka Mašinų direktyvą 2006/42/EB priedą dėl esminių sveikatos ir saugos reikalavimų, susijusių su kūrimu ir gamyba.

Išleista Halikko, 2015 m.

LT**СЕРТИФИКАТ**

Изготовитель: KONEPAJA A. VANNE, KOVA, Veistämöntie 16, FIN-24800 HALIKKO, FINLAND (ФИНЛЯНДИЯ), настоящим подтверждает, что машина PVA101 соответствует требованиям Директивы по оборудованию 2006/42/EC Директивы относительно здоровья и безопасности.

Изготовлено в Хапикко, 2015 г.

RU**SERTIFIKĀCIJA**

Ražotājs: KONEPAJA A. VANNE, KOVA, Veistämöntie 16, FIN-24800 HALIKKO, SOMIJA, līdz ar šo apstiprina, ka PVA101 tipa mašina atbilst Mašīnu direktīvai Nr. 2006/42/EK kas attiecas uz būtiskām veselības un drošības prasībām saistībā ar konstrukciju un ražošanu.

Izdots Halikko, 2015. Gadā.

LV**POTVRDA**

PROIZVOĐAČ: KONEPAJA A. VANNE, KOVA, Veistämöntie 16, FIN-24800 HALIKKO, FINSKA, ovim potvrđuje da je uređaj tipa PVA101 u skladu s Direktivom o strojevima 2006/42/EC prema osnovnim zdravstvenim i sigurnosnim zahtjevima u vezi s dizajnom i proizvodnjom .

Izdano u Halikkou 2015.

HR**CERTIFIKAT**

Proizvođač: KONEPAJA A. VANNE, KOVA, Veistämöntie 16, FIN-24800 HALIKKO, FINSKA, ovimpotvrđuje da je mašinatipa PVA101 u skladu s Direktivom o mašinama 2006/42/EC popitan juosnovnihzdravstvenihibezbjednosnihuvjeta u odnosunadzajniproizvodnju.

Izdato uHalikko 2015.

SR**CERTIFIKAT**

Izdelovalec: KONEPAJA A. VANNE, KOVA, Veistämöntie 16, FIN-24800 HALIKKO, FINSKA, s tem dokumentom potrjuje, da je stroj tipa PVA101 skladen z Direktivo o strojih 2006/42/EC v zvezi z osnovnimi zdravstvenimi in varnostnimi zahtevami glede zasnove in izdelave.

Izdano v: Halikko 2015.

SL**СЕРТИФИКАТ**

Производител: KONEPAJA A. VANNE, KOVA, Veistämöntie 16, FIN-24800 HALIKKO, ФИНЛЯНДИЯ, с настоящото удостоверява, че машина тип PVA101 съответства на Директива за машините 2006/42/EC, отнасяща се до основните изисквания за здраве и безопасност във връзка с проектирането и производството.

Издаден в Halikko 2015г.

BG**POTVRDA**

Proizvođač: KONEPAJA A. VANNE, KOVA, Veistämöntie 16, FIN-24800 HALIKKO, FINSKA, ovimpotvrđuje da je mašinatipa PVA101 u skladu s Direktivom o mašinama 2006/42/EC popitanjuesencijalnihzdravstvenih isigurnosnihzahtjeva u vezi s dizajnomizradom.

Izdano u Halikko 2015.

BS**SERTIFIKAAT**

Tootja: KONEPAJA A. VANNE, KOVA, Veistämöntie 16, FIN-24800 HALIKKO, FINLAND, kinnitab kaesolevaga, et PVA101 tuupi masin vastab masinadirektiivi 2006/42/EU mis holgab olulisi tervishoiu ja ohutuse nõudeid konstruktsioonile ja valmistamisele.

Valja antud Halikkos 2015.

ET


Ismo Forsström

Managing Director

Authorized representative for KOVA and responsible for technical documentation