

*Please Read These Instructions
Before Using Your Mower*

Mountfield

Operating Instructions

*for model
SP160 R Lawnmower
with ST 120 OHV engine*



**Product Code:
299439043/MC**

**Do not return this product to store, please call
the Service Link Helpline**

**Products with petrol in cannot be returned
to store**

Supported by



For all your Warranty,
Parts and Service needs

0800 121 6585

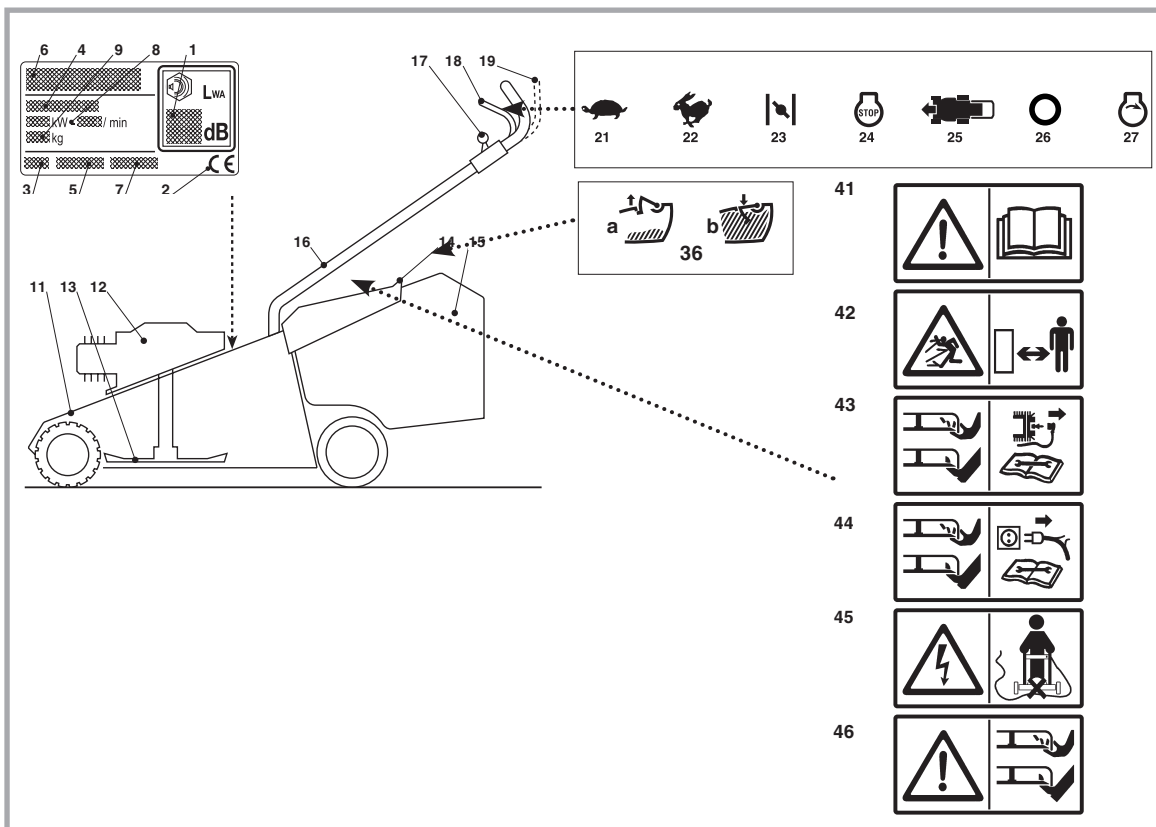
1800 806 149 ROI

www.servicelink.org.uk

Visit www.servicelink.org.uk for a quick start video

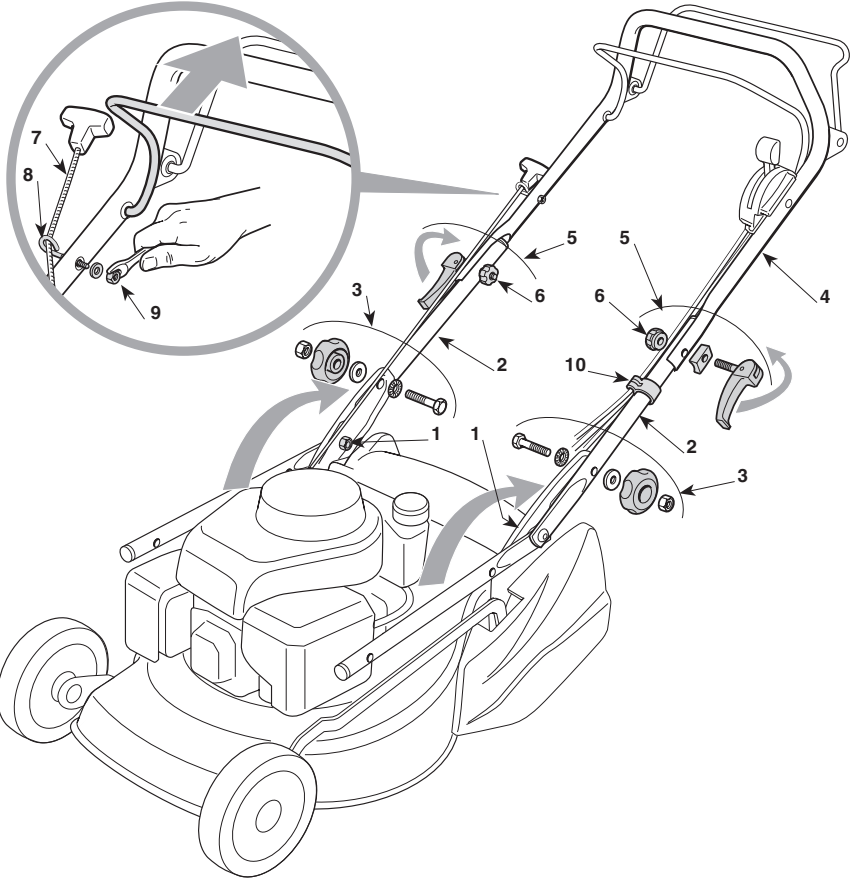
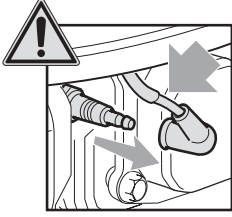
ENGLISH - Translation of the original instruction **EN**

ITALIANO - **Istruzioni Originali** **IT**

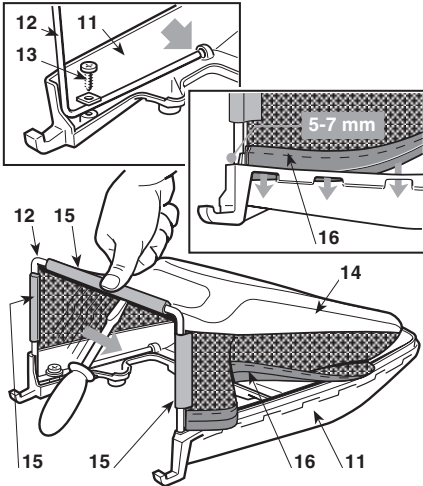


		NTL 434-R, NTL 434 TR-R
[61]	kW	1,5 ÷ 2,75
[62]	min ⁻¹	2800±100 ÷ 2900±100
[63]	kg	31 - 33
[64]	cm	41
[65]	dB(A)	79
[66]	dB(A)	1,37
[67]	dB(A)	93
[66]	dB(A)	0,9
[68]	dB(A)	94
[69]	m/s ²	6
[66]	m/s ²	1,35
[70]		81004341/3

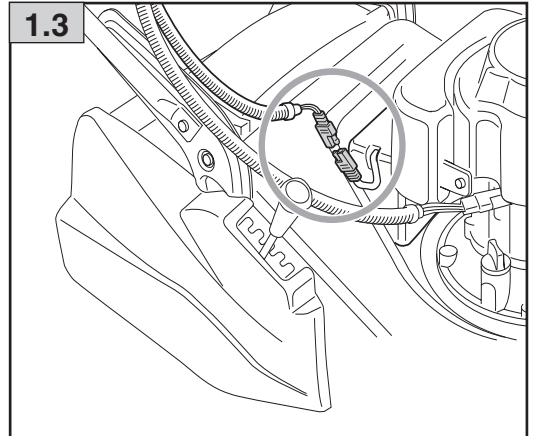
1.1

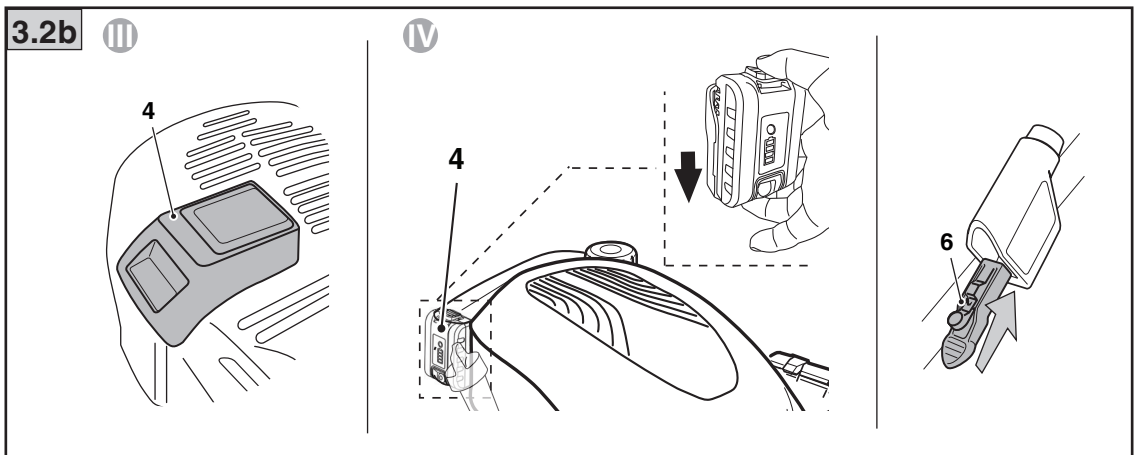
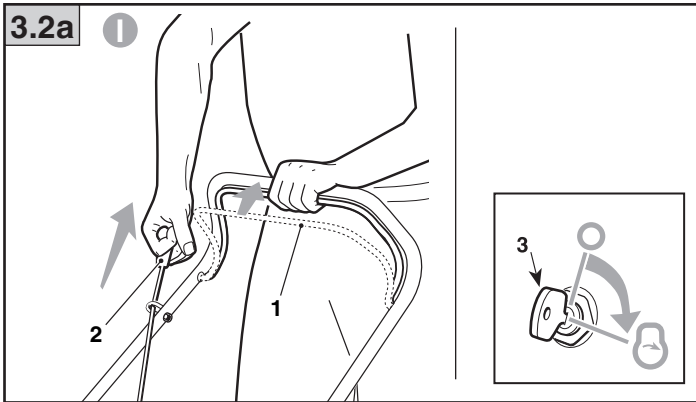
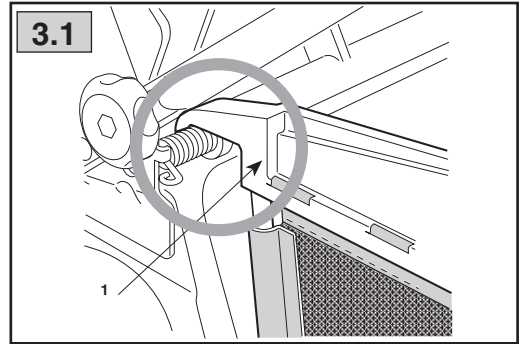
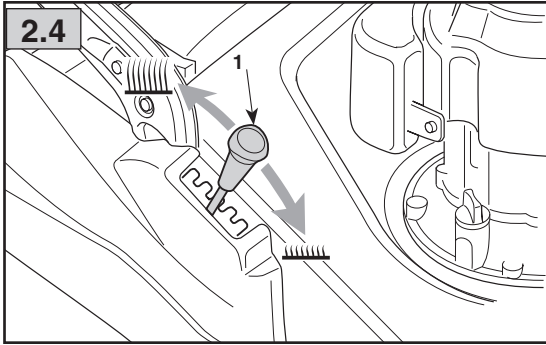
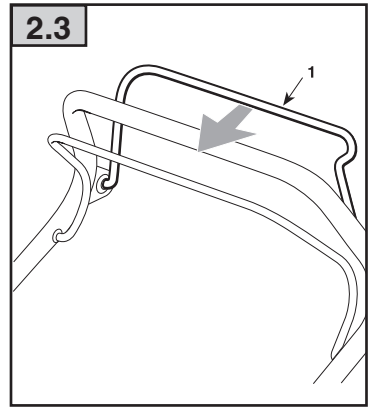
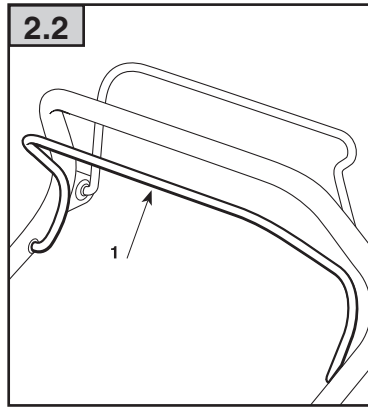
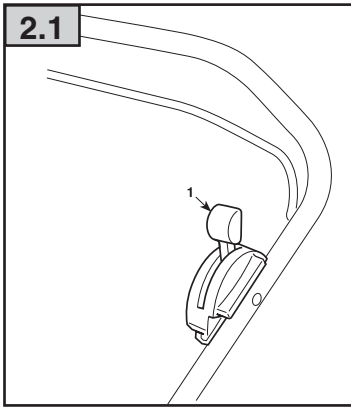


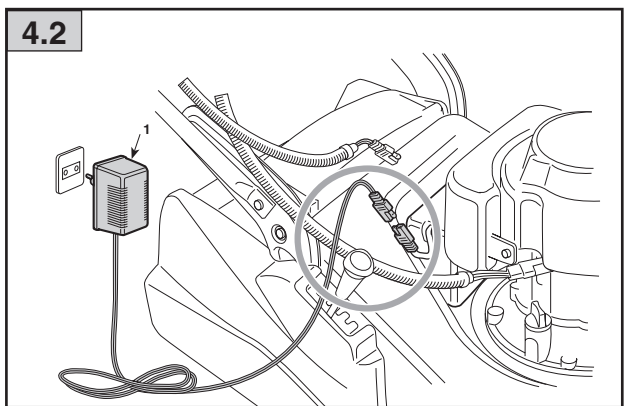
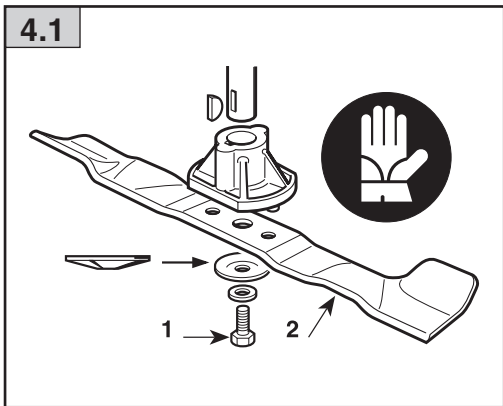
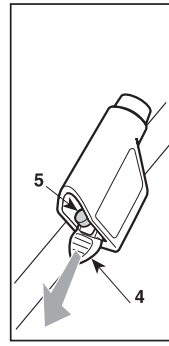
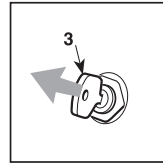
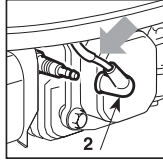
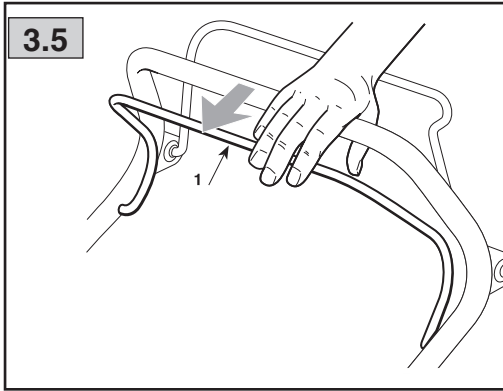
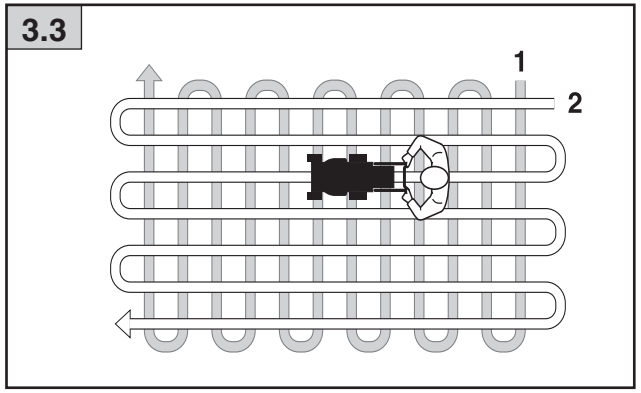
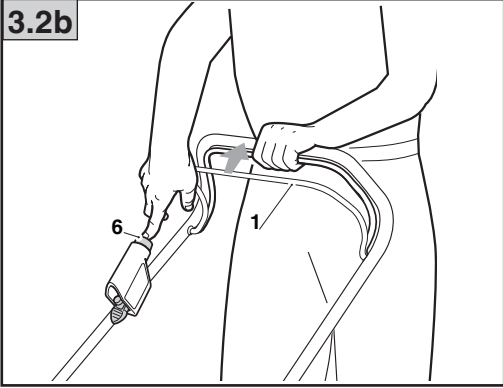
1.2



1.3









GETTING TO KNOW THE MACHINE

DESCRIPTION OF THE MACHINE AND ITS RANGE OF USE

This machine is a garden equipment, namely a pedestrian controlled lawnmower.

The machine is essentially composed of a engine which drives a blade enclosed in a casing, equipped with wheels and a handle. The operator is able to operate the machine and use the main controls, always staying behind the handle at a safe distance from the rotating blade. If the operator leaves the machine, the engine and blade will stop within a few seconds.

Intended use

This machine was designed and manufactured for cutting (and collecting) grass in gardens and grassy areas, in areas in proportion to its cutting capacity, done by a pedestrian operator. The presence of accessories or specific devices can prevent cut grass from being collected, depositing cut grass on the ground.

Improper use

Any other usage may be hazardous and harm persons and/or damage things. Examples of improper use may include, but are not limited to:

- transporting persons, children or animals on the machine;
- letting oneself be transported by the machine;
- using the machine to tow or push loads;
- using the machine for leaf or debris collection;
- using the machine to trim hedges, or for cutting vegetation other than grass;
- use of the machine by more than one person;
- using the blades on surfaces other than grass.

IDENTIFICATION LABEL AND MACHINE COMPONENTS (see pictures on page 2)

1. Acoustic power level
 2. Conformity marking
 3. Year of manufacture
 4. Type of lawnmower
 5. Serial number
 6. Name and address of Manufacturer
 7. Article Code
 8. Engine power and speed
 9. Mass in kilograms
-
11. Chassis
 12. Engine
 13. Blade (Blade)
 14. Stone-guard
 15. Grass-catcher
 16. Handle
 17. Throttle trigger
 18. Engine brake lever
 19. Drive engagement lever

As soon as you have purchased the machine, write the identification numbers (3 - 4 - 5) in the spaces on the last page of this manual.

An example of the declaration of conformity can be found on page 12 of this manual.

DESCRIPTION OF SYMBOLS ON CONTROLS (where applicable) (see pictures on page 2)

21. Slow
22. Fast
23. Choke
24. Engine Stop
25. Drive on
26. Idle
27. Engine ignition
36. Grass-catcher contents indicator: lifted (a) = empty / lowered (b) = full

SAFETY REQUIREMENTS - Your lawnmower must be used carefully. Symbols have therefore been placed on various parts of the machine to remind you of the main precautions to be taken. Their meaning is explained

below. You are also asked to carefully read the safety regulations in the specific chapter of this manual.

Replace damaged or unreadable labels (see pictures on page 2).

41. **Warning:** Read the instruction manual before using the machine.
42. **Risk of thrown objects.** Keep all persons away from the work area whilst mowing.
43. **Danger of cutting yourself.** Moving blades. Do not put hands or feet near or under the opening of the blade housing. Disconnect the spark plug cap and read the instructions before carrying out any maintenance or repairs.
44. Only for electric lawnmowers
45. Only for electric lawnmowers
46. **Danger of cutting yourself.** Moving blades. Do not put hands or feet near or under the opening of the blade housing.

Technical specifications (see page 2)

- [61] Nominal power
- [62] Max. engine operation speed
- [63] Machine weight
- [64] Cutting width
- [65] Sound pressure level, measured
- [66] Measurement uncertainty
- [67] Sound power level, measured
- [68] Sound power level, guaranteed
- [69] Vibration level
- [70] Blade code

SAFETY REGULATIONS

A) TRAINING

- 1) Read the instructions carefully. Become familiar with the controls and the proper use of the lawnmower. Learn how to stop the engine quickly.
- 2) Never allow children or persons unfamiliar with these instructions to use the lawnmower. Local regulations can restrict the minimum age of the operator.
- 3) Never use the lawnmower:
 - when people, especially children or pets are nearby;
 - if the operator is tired or unwell, or has taken medicine, drugs, alcohol or any substances that may impair their ability to react and be attentive.
- 4) Bear in mind that the operator or user is responsible for accidents or unexpected events occurring to other people or their property.

B) PRELIMINARY OPERATIONS

- 1) Whilst mowing, always wear sturdy slip-resistant footwear and long trousers. Do not operate the lawnmower when barefoot or wearing open sandals.
- 2) Thoroughly inspect the entire work area and remove anything that could be thrown by the machine or damage the cutting unit or engine (stones, branches, iron wire, bones, etc.).
- 3) **WARNING: DANGER!** Petrol is highly flammable.
 - store the fuel in suitable containers;
 - add fuel using a funnel, only outdoors; never smoke whilst doing this and whenever fuel is handled;
 - add petrol before starting the engine; never add petrol or remove the petrol tank cap whilst the engine is running or when it is hot;
 - if you have spilt some fuel, do not attempt to start the engine but move the lawnmower away from the area of spillage to avoid creating any source of ignition until the fuel has evaporated and fuel vapours have dissipated.
 - always put the tank and fuel container caps back on and tighten well;
- 4) Replace faulty silencers
- 5) Before use, always inspect the machine and in particular:
 - the safety lever must move freely, it must not need forcing and should return automatically and rapidly back to the neutral position determining the cutting blade stopping;
 - to see that the blade, screws and cutting unit are not worn or damaged. Replace damaged or worn blades and screws to preserve balance. Replace damaged or unreadable labels.
- 6) Before starting work, fit the exit guards (grass-catcher or stone-guard).

C) DURING USE

- 1) Do not operate the engine in a confined space where dangerous carbon monoxide fumes can develop.
- 2) Mow only in daylight or with good artificial light in good visibility conditions.
- 3) If possible, avoid mowing wet grass. Avoid working in the rain and when there is a thunderstorm risk.
- 4) Make sure you have a steady foothold on slopes.
- 5) Never run, always walk; do not let the lawnmower pull you.
- 6) Always mow transversely on slopes and never up and down.
- 7) Be extremely careful when changing direction on slopes.
- 8) Do not mow on land that slopes more than 20°.
- 9) Be very careful near ravines, ditches or embankments.
- 10) Be extremely careful when pulling the lawnmower towards you.
- 11) Immobilise the blade if the lawnmower must be inclined for transporting, when moving over surfaces other than grass and when the lawnmower is transported from or to an area that must be cut.
- 12) Never operate the lawnmower with damaged guards or without the grass-catcher or stone-guard.
- 13) Do not tamper with or disable safety systems.
- 14) Do not change the engine settings or overspeed the engine.
- 15) On power-driven models, disengage the wheel drive before starting the engine.
- 16) Start the engine carefully according to the instructions, keeping feet away from the blade.
- 17) Do not incline the lawnmower for starting. Start the machine on a flat surface without obstacles or high grass.
- 18) Never place your hands and feet near or under rotating parts. Always keep away from the discharge opening.
- 19) Do not start the machine when standing in front of the discharge opening.
- 20) Do not lift or transport the lawnmower when the engine is running.
- 21) Stop the engine and disconnect the spark plug cable:
 - before making any adjustments under the cutting deck or before unlogging the chute;
 - before checking, cleaning or working on the lawnmower;
 - after striking a foreign object. Inspect the machine for any damage to the lawnmower and make the necessary repairs before using it again;
 - if the lawnmower begins to vibrate abnormally (Immediately look for the cause of the vibrations and take it to a Mountfield Authorised Service Dealer for necessary inspections).
- 22) Stop the engine:
 - whenever you leave the lawnmower unattended. Also remove the key on models with electric start;
 - before refuelling;
 - whenever you remove or reattach the grass-catcher;
 - before adjusting the cutting height.
- 23) Reduce the throttle setting before stopping the engine. Shut off the fuel supply when mowing is completed, following the instructions in the engine manual.
- 24) When mowing, always keep a safe distance from the rotary blades, given by the length of the handle.
- 25) **WARNING** - If something breaks or an accident occurs during mowing, turn off the engine immediately and move the machine away to prevent further damage; if an accident occurs with injuries or third parties are injured, carry out the first aid measures most suitable for the situation immediately and contact the medical authorities for any necessary health care. Carefully remove any debris that might cause damage or harm persons or animals should it not be seen.
- 26) **WARNING** - The level of noise and vibration found in the present instructions are maximum values of using the machine. The use of a blade unbalanced, the excessive speed of movement, the absence of maintenance have a significant influence in the noise and vibrations. It is necessary to take preventive measures to avoid possible damage due to high noise and stress from vibration; perform machine maintenance, wear ear protection, take breaks whilst working.

D) MAINTENANCE AND STORAGE

- 1) Keep all nuts and screws tight to be sure the equipment is in a safe working condition. Routine maintenance is essential for safety and for maintaining a high performance level.
- 2) Do not store the lawnmower with fuel in the tank in an area where fuel vapours could reach an open flame, a spark or a strong heat source.
- 3) Allow the engine to cool before storing the lawnmower in any enclosure.
- 4) To reduce fire hazards, keep the engine, silencer, battery compartment and petrol storage area free of grass, leaves, or excessive grease. Never

leave containers with cut grass inside a storage area.

- 5) Check the stone-guard and grass-catcher frequently for wear or deterioration.
- 6) If the fuel tank has to be emptied, this should be done outdoors once the engine has cooled down.
- 7) Wear work gloves for disassembling and reassembling blades.
- 8) Keep the blade balanced during sharpening. All work on the blade (disassembly, sharpening, balancing, reassembly and/or replacing) are demanding jobs that require special skill as well as special tools. For safety reasons, these jobs are best carried out at a specialised centre.
- 9) For safety reasons, never use the machine when it has worn or damaged parts. Parts must be replaced and not repaired. Use original spare parts. Parts that are not of the same quality can damage the equipment and impair your safety

E) TRANSPORTATION AND HANDLING

- 1) Whenever the machine is to be handled, lifted, transported or tilted you must:
 - wear sturdy work gloves;
 - grasp the machine at the points that offer a safe grip, taking account of the weight and its distribution.
 - use an appropriate number of people for the weight of the machine and the characteristics of the vehicle or the place where it must be placed or collected.
 - make sure that machine movements do not cause petrol leaks, damage or injuries.
- 2) During transport, fasten the machine securely with cables or chains.

OPERATING INSTRUCTIONS

For information on the engine and the battery (if supplied), read the relevant manuals.

1. COMPLETE ASSEMBLY

NOTE - The number which precedes each paragraph links the references in the text to the respective illustrations (listed on page 2 and following pages).

NOTE - The machine can be supplied with some parts already assembled.

WARNING - Unpacking and completing the assembly should be done on a flat and stable surface, with enough space for moving the machine and its packaging, always using suitable equipment.

Disposal of the packaging should be done in accordance with the local regulations in force.

1.1 Handle assembly

Loosen the two lower nuts (1).

Return the lower part of the handle, which is made up of two pre-assembled elements (2), to the work position and lock into place by using the nuts (1) and the lower knobs (3).

Fit the upper part of the handle (4) to the lower ones (2) by means of the clamps (5), as shown.

The ring nuts (6) on the clamps (5) must be screwed so they keep the top part (4) firmly fixed, without too much effort required to lock or release them. Close both clamps (5) after adjustment.

Hook the starter cable (7) to the guide spiral (8).

Tighten the nut (9) to secure the spiral (8).

Fit the cable clamp (10) as shown and secure the control cables.

1.2 Grass-catcher assembly

With the plastic part (11) upside-down, fasten the frame (12) to the plastic part using the screws (13). Insert the frame (12) into the sack (14) and attach the plastic profile (15) with the help of a screwdriver, as shown in the drawing. Fit the edge of the cloth (16) right into the groove of the plastic part (11), starting 5-7 mm from the ends.

1.3 Battery connection (if present)

• Electric key ignition models

Connect the battery cable to the general wiring connector on the lawnmower.

• Electric push-button ignition models

Insert the supplied battery in the relative engine compartment (par. 3.2b, “III - “IV”).

2. CONTROL DESCRIPTION

NOTE - The meaning of the symbols on controls are explained in the previous pages.

2.1 Throttle

The throttle is controlled by the lever (1) and positioned as shown on the relative plate. Some models have a fixed speed, and therefore no need of a throttle.

2.2 Blade brake

The blade brake is controlled by the lever (1) which must be held against the handle for ignition and during lawnmower operations. The engine stops when the lever is released.

IMPORTANT - The blade must stop within a few seconds of when the lever is released; if you notice that more time is required for it to stop, contact a Mountfield Authorised Service Dealer immediately.

2.3 Drive lever (if provided)

On power-driven models, pull the lever (1) against the handle for forward movement. The lawnmower stops moving forward when the lever is released. The engine must always be started with the drive off.

2.4 Cutting height adjustment

The cutting height is adjusted by the specific lever (1).
DO THIS WHEN THE BLADE IS STOPPED.

3. GRASS CUTTING

3.1 Fastening the grass-catcher

Lift the stone-guard and fasten the grass-catcher (1) correctly as shown in the illustration.

3.2 Engine ignition

During ignition, follow the instructions in the engine manual.

3.2a

• Manual ignition models (“I”)

Pull the blade brake lever (1) against the handle and firmly tug the knob on the ignition cable (2).

• Electric key ignition models

Pull the blade brake lever (1) against the handle and turn the ignition key (3).

3.2b

• Electric push-button ignition models (“III - “IV”)

- Insert the supplied battery in the relative engine compartment (4); (follow the instructions provided in the engine manual).
- Insert the key as far as possible (if fitted) (5).
- Pull the engine blade brake lever towards the handle (1).

NOTE *Keep pulling the engine / blade brake lever or the engine will stop.*

- Press and hold the starter button until the engine switches on (6).

3.3 Grass cutting

The appearance of the lawn will improve if you alternate cutting in both directions at the same height.

- **Grass-catcher full warning indicator (if applicable):** whilst working, with the blade in motion, the indicator remains lifted as long as the grass-catcher is able to hold cut grass; when it lowers, it means that the grass-catcher is full and it must be emptied.

3.4 Emptying the grass-catcher

When the grass-catcher is too full, grass is no longer collected efficiently, the sound of the lawnmower changes and the grass-catcher is no longer inflated by the air flow created by the blade.

To remove and empty the grass-catcher,

- stop the engine and wait for the blade to stop;
- lift the stone-guard, grasp the handle and remove the grass-catcher keeping it in tilted position.

3.5 When work is finished

When work has been completed, release the brake lever (1) and disconnect the spark plug cap (2).

• Electric key ignition models

Remove the ignition key (3).

• Electric push-button ignition models

Press the tab (5) and remove the consent key (4).

WAIT UNTIL THE CUTTING MEANS STOPS before proceeding any further.

3.6 Lawn care recommendation

Each type of grass has different features and may thus require different ways to care for the lawn; always read the instructions on seed boxes for mowing height for the growth conditions in the work area. Keep in mind that the most grass is made up of a stem and one or more leaves. If leaves are fully cut, the lawn is damaged and growth is more difficult.

The following indications generally apply:

- too low a cut causes grass tears and uprooting, with a “spotted” aspect;
- in the summer, cutting must be higher to avoid the ground from drying;
- do not cut wet grass; this could reduce blade efficiency due to sticky grass and tear the lawn;
- for particularly high grass, initially mow at maximum admitted machine height followed by a second mow after two or three days.

4. ROUTINE MAINTENANCE

IMPORTANT - Routine and accurate maintenance is essential in maintaining original machine safety and performance levels.

Each adjustment or maintenance operation must be done with the engine stopped, after removing the spark plug cap.

Store the lawnmower in a dry place.

- 1) Wear sturdy work gloves before cleaning, maintaining or adjusting the machine.
- 2) Wash the machine with water after each mowing, remove grass debris and mud accumulated under the chassis to prevent it from drying and causing problems the next time the lawnmower is used.
- 3) Use the specific attachment for the water hose to clean the internal parts of the lawnmower (if provided). Place the machine on a flat firm surface, select the lowest cutting height and always stand behind the lawnmower handle when cleaning
- 4) The paintwork on the inside of the chasis may peel off in time due to the abrasive action of the cut grass; in this case, touch up the paintwork using a rustproof paint to prevent the formation of rust that would lead to corrosion of the metal .
- 5) If accessing the lower part is necessary, only tilt the machine on the side indicated in the engine manual, following the relevant instructions.
- 6) Do not drip petrol onto the plastic parts of the engine or the machine to prevent damaging them and remove all traces of spilt petrol immediately. The warranty does not cover damage to plastic parts caused by petrol.

4.1 Blade maintenance

Each adjustment made to the blade is best carried out at a Mountfield authorised service dealer that has the most appropriate tools.

Only blades with code shown in the table on page 2.

Given product evolution, the above mentioned blades may be replaced in time by others, with similar interchangeable and operating safety features. Reassemble the blade (2) with the code facing the ground, following the steps indicated in the illustration.

Tighten the central screw (1) using a torque wrench set to 35-40 Nm.

4.2 Battery recharging (where applicable)

• Electric key ignition models

To recharge a flat battery, connect it to the battery charger (1) following the instructions in the battery maintenance manual.

Do not connect the battery charger directly to the engine terminal. It is not possible to ignite the engine using the battery charger as a power source, as it may get damaged.

If you do not use the lawnmower for a long period of time, disconnect the battery from the engine wiring, making sure the charge level is good.

• Electric push-button ignition models

Read the engine instruction manual for instructions regarding autonomy, recharging, reinstating and maintenance of the battery.

5. ENVIRONMENTAL PROTECTION

Environmental protection should be a priority of considerable importance when using the machine, for the benefit of both social coexistence and the environment in which we live.

- Try not to cause any disturbance to the surrounding area.
- Comply with local regulations for the disposal of waste materials after mowing.
- Comply with local regulations for the disposal of packaging, deteriorated parts or any elements with a strong environmental impact; this waste must not be disposed of as normal waste, it must be separated and taken to specified waste disposal centres where the material will be recycled.
- When decommissioning, do not pollute the environment with the machine, hand it over to a disposal centre, in accordance with the local regulations in force.

6. DIAGNOSTIC

What to do when ...	
Source of problem	Corrective action
1. Petrol mower does not work	
There is no oil or fuel in the engine	Check the oil and fuel levels
The spark plug and air filter are not working.	Clean the spark plug and the filter, which may be caked, or replace
The fuel has not been emptied by the mower at the end of last season	The carburetor float may be stuck. Tilt the mower over towards the carburetor side
2. Cut grass is not blown into the grass box	
The blade has received a knock	Sharpen the blade or replace it. Check the guides which direct the grass towards the grass box
The mower's blade housing is dirty underneath	Clean the blade housing so as to give an easier path for the grass to the grass box
3. Mower struggles to cut grass	
The blade is not in good conditions	Sharpen the blade or replace it

For any doubts or problems, please do not hesitate to contact your nearest Mountfield Authorised Service Dealer.



CONOSCERE LA MACCHINA

DESCRIZIONE DELLA MACCHINA E CAMPO DI UTILIZZO

Questa macchina è una attrezzatura da giardinaggio e precisamente un rasaerba con operatore a piedi.

La macchina si compone essenzialmente di un motore, che aziona una lama racchiusa in un carter, dotato di ruote e di un manico. L'operatore è in grado di condurre la macchina e di azionare i comandi principali mantenendosi sempre dietro al manico, e quindi a distanza di sicurezza dalla lama rotante. L'allontanamento dell'operatore dalla macchina provoca l'arresto del motore e della lama entro alcuni secondi.

Uso previsto

Questa macchina è progettata e costruita per tagliare (e raccogliere) l'erba in giardini e aree erbose, di estensione rapportata alla capacità di taglio, eseguita con la presenza di un operatore a piedi.

La presenza di accessori o di dispositivi specifici può evitare la raccolta dell'erba tagliata, con deposizione dell'erba tagliata sul terreno.

Uso improprio

Qualsiasi altro impiego, difforme da quelli sopra citati, può rivelarsi pericoloso e causare danni a persone e/o cose. Rientrano nell'uso improprio (come esempio, ma non solo):

- trasportare sulla macchina persone, bambini o animali;
- farsi trasportare dalla macchina;
- usare la macchina per trainare o spingere carichi;
- usare la macchina per la raccolta di foglie e detriti;
- usare la macchina per regolarizzare siepi, o per il taglio di vegetazione di tipo non erboso;
- utilizzare la macchina in più di una persona;
- azionare la lama nei tratti non erbosi.

ETICHETTA DI IDENTIFICAZIONE E COMPONENTI DELLA MACCHINA (vedi figure a pag. 2)

1. Livello potenza acustica
 2. Marchio di conformità
 3. Anno di fabbricazione
 4. Tipo di rasaerba
 5. Numero di matricola
 6. Nome e indirizzo del Costruttore
 7. Codice Articolo
 8. Potenza del motore e regime
 9. Peso in kg
11. Chassis
 12. Motore
 13. Coltello (Lama)
 14. Parasassi
 15. Sacco di raccolta
 16. Manico
 17. Comando acceleratore
 18. Leva freno motore
 19. Leva innesto trazione

Immediatamente dopo l'acquisto della macchina, trascrivere i numeri di identificazione (3 - 5 - 6) negli appositi spazi sull'ultima pagina del manuale.

L'esempio della dichiarazione di conformità si trova nella penultima pagina del manuale.

DESCRIZIONE DEI SIMBOLI RIPORTATI SUI COMANDI (dove previsti) (vedi figure a pag. 2)

21. Lento
22. Veloce
23. Starter
24. Arresto motore
25. Trazione inserita
26. Riposo
27. Avviamento motore
36. Segnalatore contenuto sacco: alzato (a) = vuoto / abbassato (b) = pieno

PRESCRIZIONI DI SICUREZZA - Il vostro rasaerba deve essere utilizzato con prudenza. A tale scopo, sulla macchina sono stati posti dei pittogrammi, destinati a ricordarvi le principali precauzioni d'uso. Il loro significato è spiegato qui di seguito. Vi raccomandiamo inoltre di leggere attentamente le norme di sicurezza riportate nell'apposito capitolo del presente libretto. Sostituire le etichette danneggiate o illeggibili (vedi figure a pag. 2).

41. **Attenzione:** Leggere il libretto di istruzioni prima di usare la macchina.
42. **Rischio di espulsione.** Tenere le persone al di fuori dell'area di lavoro, durante l'uso.
43. **Rischio di tagli.** Lame in movimento. Non introdurre mani o piedi all'interno dell'alloggiamento lama. Scollegare il cappuccio della candela prima di effettuare qualsiasi operazione di manutenzione o riparazione.
44. Solo per rasaerba con motore elettrico
45. Solo per rasaerba con motore elettrico
46. **Rischio di tagli.** Lame in movimento. Non introdurre mani o piedi all'interno dell'alloggiamento lama.

Dati Tecnici (vedi pag. 2)

- [61] Potenza nominale
- [62] Velocità mass. di funzionamento motore
- [63] Peso macchina
- [64] Ampiezza di taglio
- [65] Livello di pressione acustica misurato
- [66] Incertezza di misura
- [67] Livello di potenza acustica misurato
- [68] Livello di potenza acustica garantito
- [69] Livello di vibrazioni
- [70] Codice lama

NORME DI SICUREZZA da osservare scrupolosamente

A) ADDESTRAMENTO

- 1) Leggere attentamente le istruzioni. Prendere familiarità con i comandi e con un uso appropriato del rasaerba. Imparare ad arrestare rapidamente il motore.
- 2) Non permettere mai che il rasaerba venga utilizzato da bambini o da persone che non abbiano la necessaria dimestichezza con le istruzioni. Le leggi locali possono fissare un'età minima per l'utilizzatore.
- 3) Non utilizzare mai il rasaerba:
 - con persone, in particolare bambini, o animali nelle vicinanze;
 - se l'utilizzatore è in condizioni di stanchezza o malessere, oppure ha assunto farmaci, droghe alcool o sostanze nocive alle sue capacità di riflessi e attenzione.
- 4) Ricordare che l'operatore o l'utilizzatore è responsabile di incidenti e imprevisti che si possono verificare ad altre persone o alle loro proprietà.

B) OPERAZIONI PRELIMINARI

- 1) Durante il taglio, indossare sempre calzature da lavoro resistenti, antiscivolo e pantaloni lunghi. Non azionare il rasaerba a piedi scalzi o con sandali aperti.
- 2) Ispezionare a fondo tutta l'area di lavoro e togliere tutto ciò che potrebbe venire espulso dalla macchina o danneggiare il gruppo di taglio e il motore (sassi, rami, fili di ferro, ossi, ecc.).
- 3) **ATTENZIONE: PERICOLO!** La benzina è altamente infiammabile.
 - conservare il carburante in appositi contenitori;
 - rabboccare il carburante, utilizzando un imbuto, solo all'aperto e non fumare durante questa l'operazione e ogni volta che si maneggia il carburante;
 - rabboccare prima di avviare il motore; non aggiungere benzina o togliere il tappo del serbatoio quando il motore è in funzione o è caldo;
 - se fuoriesce della benzina, non avviare il motore, ma allontanare il rasaerba dall'area nella quale il carburante è stato versato, ed evitare di creare possibilità di incendio, fintanto che il carburante non sia evaporato ed i vapori di benzina non si siano dissolti.
 - rimettere sempre e serrare bene i tappi del serbatoio e del contenitore della benzina;
- 4) Sostituire i silenziatori difettosi
- 5) Prima dell'uso, procedere ad una verifica generale della macchina ed

in particolare:

- la leva di sicurezza deve avere un movimento libero, non forzato e al rilascio deve tornare automaticamente e rapidamente nella posizione neutra determinando l'arresto del dispositivo di taglio;
 - dell'aspetto delle lame, e controllare che le viti e il gruppo di taglio non siano usurati o danneggiati. Sostituire in blocco le lame e le viti danneggiate o usurate per mantenere l'equilibratura. Sostituire le etichette danneggiate o illeggibili.
- 6) Prima di iniziare il lavoro, montare le protezioni all'uscita (sacco o parasassi).

C) DURANTE L'UTILIZZO

- 1) Non azionare il motore in spazi chiusi, dove possono accumularsi pericolosi fumi di monossido di carbonio.
- 2) Lavorare solamente alla luce del giorno o con buona luce artificiale e in condizioni di buona visibilità.
- 3) Se possibile, evitare di lavorare nell'erba bagnata. Evitare di lavorare sotto la pioggia e con rischio di temporali.
- 4) Accertarsi sempre del proprio punto d'appoggio sui terreni in pendenza.
- 5) Non correre mai, ma camminare; evitare di farsi tirare dal rasaerba.
- 6) Tagliare nel senso trasversale al pendio e mai su e giù.
- 7) Prestare la massima attenzione nel cambio di direzione sui pendii.
- 8) Non tagliare su terreni con pendenza superiore a 20°.
- 9) Prestare molta attenzione in prossimità di dirupi, fossi o argini.
- 10) Prestare estrema attenzione quando tirate il rasaerba verso di voi.
- 11) Fermare la lama se il rasaerba deve essere inclinato per il trasporto, nell'attraversare superfici non erbose, e quando il rasaerba viene trasportato da o verso l'area che deve essere tagliata.
- 12) Non azionare mai il rasaerba se i ripari sono danneggiati, oppure senza il sacco raccogliherba o il parasassi.
- 13) Non manomettere o disattivare i sistemi di sicurezza
- 14) Non modificare le regolazioni del motore, e non fare raggiungere al motore un regime di giri eccessivo.
- 15) Nei modelli con trazione, disinnestare l'innesto della trasmissione alle ruote, prima di avviare il motore.
- 16) Avviare il motore con cautela secondo le istruzioni e tenendo i piedi ben distanti dalla lama.
- 17) Non inclinare il rasaerba per l'avviamento. Effettuare l'avviamento su una superficie piana e priva di ostacoli o erba alta.
- 18) Non avvicinare mani e piedi accanto o sotto le parti rotanti. State sempre lontani dall'apertura di scarico.
- 19) Non avviare la macchina quando si è di fronte all'apertura di scarico.
- 20) Non sollevare o trasportare il rasaerba quando il motore è in funzione.
- 21) Fermare il motore e staccare il cavo della candela:
 - prima di qualsiasi intervento sotto il piatto di taglio o prima di disintasarne il convogliatore di scarico;
 - prima di controllare, pulire o lavorare sul rasaerba;
 - dopo aver colpito un corpo estraneo. Verificare eventuali danni sul rasaerba ed effettuare le necessarie riparazioni prima di usare nuovamente la macchina;
 - se il rasaerba comincia a vibrare in modo anomalo (Ricerca immediatamente la causa delle vibrazioni e provvedere alle verifiche necessarie presso un Centro Specializzato).
- 22) Fermare il motore:
 - ogni qualvolta si lasci il rasaerba incustodito. Nei modelli con avviamento elettrico, togliere anche la chiave;
 - prima di fare rifornimento di carburante;
 - ogni volta che si toglie o si rimonta il sacco raccogliherba;
 - prima di regolare l'altezza di taglio.
- 23) Ridurre il gas prima di fermare il motore. Chiudere l'alimentazione del carburante al termine del lavoro, seguendo le istruzioni fornite sul libretto del motore.
- 24) Durante il lavoro, mantenere sempre la distanza di sicurezza dalla lama rotante, data dalla lunghezza del manico.
- 25) **ATTENZIONE** - In caso di rotture o incidenti durante il lavoro, arrestare immediatamente il motore e allontanare la macchina in modo da non provocare ulteriori danni; nel caso di incidenti con lesioni personali o a terzi, attivare immediatamente le procedure di pronto soccorso più adeguate alla situazione in atto e rivolgersi ad una Struttura Sanitaria per le cure necessarie. Rimuovere accuratamente eventuali detriti che potrebbero arrecare danni o lesioni a persone o animali qualora rimanessero inosservati.
- 26) **ATTENZIONE** - Il livello di rumorosità e di vibrazioni riportato nelle presenti istruzioni, sono valori massimi di utilizzo della macchina. L'impiego di un elemento di taglio sbilanciato, l'eccessiva velocità di movimento, l'assenza di manutenzione influiscono in modo significativo nelle emissioni sonore e nelle vibrazioni. Di conseguenza è necessario adottare delle misure preventive atte ad eliminare possibili danni dovuti ad un rumore

elevato e alle sollecitazioni da vibrazioni; provvedere alla manutenzione della macchina, indossare cuffie antirumore, effettuare delle pause durante il lavoro.

D) MANUTENZIONE E MAGAZZINAGGIO

- 1) Mantenere serrati dadi e viti, per essere certi che la macchina sia sempre in condizioni sicure di funzionamento. Una manutenzione regolare è essenziale per la sicurezza e per mantenere il livello delle prestazioni.
- 2) Non riporre il rasaerba con della benzina nel serbatoio in un locale dove i vapori di benzina potrebbero raggiungere una fiamma, una scintilla o una forte fonte di calore.
- 3) Lasciare raffreddare il motore prima di collocare il rasaerba in un qualsiasi ambiente.
- 4) Per ridurre il rischio d'incendio, mantenere il motore, il silenziatore di scarico, l'alloggiamento della batteria e la zona di magazzino della benzina liberi da residui d'erba, foglie o grasso eccessivo. Non lasciare contenitori con l'erba tagliata all'interno di un locale.
- 5) Controllare di frequente il parasassi e il sacco raccogliherba, per verificarne l'usura o il deterioramento.
- 6) Se il serbatoio deve essere vuotato, effettuare questa operazione all'aperto e a motore freddo.
- 7) Indossare guanti da lavoro per lo smontaggio e rimontaggio della lama.
- 8) Curare l'equilibratura della lama, quando viene affilata. Tutte le operazioni riguardanti la lama (smontaggio, affilatura, equilibratura, rimontaggio e/o sostituzione) sono lavori impegnativi che richiedono una specifica competenza oltre all'impiego di apposite attrezzature; per ragioni di sicurezza, occorre pertanto che siano sempre eseguiti presso un centro specializzato.
- 9) Non usare mai la macchina con parti usurate o danneggiate, per motivi di sicurezza. I pezzi devono essere sostituiti e mai riparati. Usare ricambi originali. I pezzi di qualità non equivalente possono danneggiare la macchina e nuocere alla vostra sicurezza.

E) TRASPORTO E MOVIMENTAZIONE

- 1) Ogni volta che è necessario movimentare, sollevare, trasportare o inclinare la macchina occorre:
 - indossare robusti guanti da lavoro;
 - afferrare la macchina in punti che offrano una presa sicura, tenendo conto del peso e della sua ripartizione;
 - impiegare un numero di persone adeguato al peso della macchina e alle caratteristiche del mezzo di trasporto o del posto nel quale deve essere collocata o prelevata.
 - assicurarsi che la movimentazione della macchina non produca perdite di benzina o causi danni o lesioni.
- 2) Durante il trasporto, assicurare adeguatamente la macchina mediante funi o catene.

NORME D'USO

Per il motore e la batteria (se prevista) leggere i relativi manuali di istruzioni.

1. COMPLETARE IL MONTAGGIO

NOTA - La corrispondenza fra i riferimenti contenuti nel testo e le rispettive figure (poste alle pagg. 2 e seguenti) è data dal numero che precede ciascun paragrafo.

NOTA - La macchina può essere fornita con alcuni componenti già montati.

ATTENZIONE - Lo sbaliggio e il completamento del montaggio devono essere effettuati su una superficie piana e solida, con spazio sufficiente alla movimentazione della macchina e degli imballi, avvalendosi sempre degli attrezzi appropriati.

Lo smaltimento degli imballi deve avvenire secondo le disposizioni locali vigenti.

1.1 Montaggio del manico

Allentare i due dadi inferiori (1).

Riportare nella posizione di lavoro i due elementi (2), già premontati, che

compongono la parte inferiore del manico e bloccarli tramite i dadi (1) e le manopole inferiori (3).

Fissare la parte superiore del manico (4) a quelle inferiori (2) utilizzando le maniglie (5) come indicate nella figura.

Le ghiera (6) delle maniglie (5) devono essere evitate in modo da assicurare un fissaggio stabile del manico (4), senza richiedere uno sforzo eccessivo per bloccarle o sbloccarle.

Bloccare entrambe le maniglie (5) dopo la regolazione.

Inserire le fune di avviamento (7) nella spirale (8) di guida.

Serrare il dado (9) per fissare la spirale (8).

Applicare il fermacavo (10) come indicato e fissare i cavi dei comandi.

1.2 Montaggio del sacco

Con la parte in plastica (11) capovolta, fissare il telaio (12) alla parte in plastica mediante le viti (13). Introdurre il telaio (12) nel sacco (14) e agganciare tutti i profili in plastica (15), aiutandosi con un cacciavite, come indicato nella figura. Inserire a fondo il bordo perimetrale (16) della tela nella scanalatura della parte in plastica (11), partendo a 5-7 mm dalle estremità.

1.3 Collegamento della batteria (se presente)

• Modelli con avviamento elettrico a chiave

Collegare il cavo della batteria al connettore del cablaggio generale del rasaerba.

• Modelli con avviamento elettrico a pulsante

Inserire la batteria fornita nell'apposito vano presente sul motore (par. 3.2b, "III - "IV").

2. DESCRIZIONE DEI COMANDI

NOTA - Il significato dei simboli riportati sui comandi è spiegato nelle pagine precedenti.

2.1 Acceleratore

L'acceleratore è comandato dalla leva (1). Le posizioni della leva sono indicate dalla relativa targhetta. Su alcuni modelli è previsto un motore a regime fisso, senza necessità di acceleratore.

2.2 Freno della lama

Il freno della lama è comandato dalla leva (1), che dovrà essere tenuta contro il manico per l'avviamento e durante il funzionamento del rasaerba. Il motore si arresta al rilascio della leva.

IMPORTANTE - L'arresto della lama deve avvenire entro pochi secondi dal rilascio della leva; qualora si avvertisse un prolungamento del tempo di arresto, contattare immediatamente un Centro Specializzato.

2.3 Leva della trazione (se presente)

Nei modelli con trazione, l'avanzamento del rasaerba avviene portando la leva (1) contro il manico.

Il rasaerba smette di avanzare al rilascio della leva.

L'avviamento del motore deve avvenire sempre con la trazione disinserita.

2.4 Regolazione dell'altezza di taglio

La regolazione dell'altezza di taglio si effettua per mezzo dell'apposita leva (1).

ESEGUIRE L'OPERAZIONE A COLTELLO FERMO.

3. TAGLIO DELL'ERBA

3.1 Aggancio del sacco

Solleverare il parasassi e agganciare correttamente il sacco (1), come indicato nella figura.

3.2 Avviamento del motore

Per l'avviamento, seguire le indicazioni del libretto del motore.

3.2a

• Modelli con avviamento manuale ("I")

Tirare la leva del freno del dispositivo di taglio (1) contro il manico e dare un deciso strappo dalla manopola della fune di avviamento (2).

• Modelli con avviamento elettrico a chiave

Tirare la leva del freno del dispositivo di taglio (1) contro il manico e ruotare la chiave di contatto (3).

3.2b

• Modelli con avviamento elettrico a pulsante ("III - "IV")

– Inserire la batteria fornita nell'apposito vano presente sul motore (4); (seguire le istruzioni contenute nel manuale istruzioni del motore).

– Inserire a fondo la chiave (se presente) (5).

– Tirare la leva freno motore/dispositivo di taglio verso il manico (1).

NOTA La leva freno motore / dispositivo di taglio deve essere mantenuta tirata per evitare l'arresto del motore.

– Premere il pulsante di avviamento e tenerlo premuto fino all'accensione del motore (6).

3.3 Taglio dell'erba

L'aspetto del prato sarà migliore se i tagli saranno effettuati sempre alla stessa altezza e alternativamente nelle due direzioni.

• **Nel caso di sacco di raccolta con dispositivo segnalatore del contenuto (se previsto):** durante il lavoro, con la lama in movimento, il segnalatore rimane sollevato fintanto che il sacco è in grado di ricevere l'erba tagliata; quando si abbassa, significa che il sacco si è riempito e occorre svuotarlo

3.4 Svuotamento del sacco

Quando il sacco di raccolta diventa troppo pieno, la raccolta dell'erba non è più efficiente e il rumore del rasaerba cambia e il sacco non viene più gonfiato dal flusso d'aria creato dalla lama.

Per rimuovere e svuotare il sacco,

– arrestare il motore e attendere l'arresto della lama;

– sollevare il parasassi, afferrare la maniglia e rimuovere il sacco mantenendolo in posizione eretta.

3.5 Termine del lavoro

Al termine del lavoro, rilasciare la leva (1) del freno e scollegare il cappuccio della candela (2).

• Modelli con avviamento elettrico a chiave

Togliere la chiave di contatto (3).

• Modelli con avviamento elettrico a pulsante

Premere la linguetta (5) e rimuovere la chiave di consenso (4).

ATTENDERE L'ARRESTO DEL DISPOSITIVO DI TAGLIO prima di effettuare qualsiasi tipo di intervento.

3.6 Consigli per la cura del prato

Ogni tipologia di erba presenta caratteristiche diverse e può richiedere quindi diverse modalità per la cura del prato; leggere sempre le indicazioni contenute nelle confezioni delle sementi riguardo l'altezza di rasatura, rapportate alle condizioni di crescita della zona in cui si opera.

Occorre tenere presente che la maggior parte dell'erba è composta da uno stelo e da una o più foglie. Se le foglie vengono tagliate completamente, il prato si danneggia e la ricrescita sarà più difficile.

In linea generale, possono valere le seguenti indicazioni:

- un taglio troppo basso provoca strappi e diradamenti nel tappeto erboso, con un aspetto a "macchie";
- in estate, il taglio deve essere più alto per evitare il disseccamento del terreno;
- non tagliare l'erba quando è baganta; ciò può ridurre l'efficienza della lama per l'erba che vi si attacca e provocare strappi nel tappeto erboso;
- nel caso di erba particolarmente alta, è bene eseguire una prima rasatura alla massima altezza consentita dalla macchina, seguita da una seconda rasatura a distanza di due o tre giorni.

4. MANUTENZIONE ORDINARIA

IMPORTANTE - La manutenzione regolare e accurata è indispensabile per mantenere nel tempo i livelli di sicurezza e le prestazioni originali della macchina.

Ogni operazione di regolazione o manutenzione deve essere eseguita a motore fermo, dopo aver staccato il cappuccio della candela. Conservare il rasoerba in luogo asciutto.

- 1) Indossare robusti guanti da lavoro prima di ogni intervento di pulizia, manutenzione o regolazione sulla macchina.
- 2) Lavare accuratamente la macchina con acqua dopo ogni taglio; rimuovere i detriti d'erba e il fango accumulati all'interno dello chassis per evitare che, disseccandosi, possano rendere difficoltoso il successivo avviamento.
- 3) Per il lavaggio interno dello chassis utilizzare l'apposito attacco per il tubo dell'acqua (se previsto). Durante il lavaggio sistemare la macchina su una superficie piana e solida, selezionare l'altezza di taglio più bassa e posizionarsi sempre dietro al manico del rasoerba.
- 4) La verniciatura della parte interna dello chassis può staccarsi nel tempo per l'azione abrasiva dell'erba tagliata; in questo caso, intervenire tempestivamente ritoccando la verniciatura con una pittura antiruggine, per prevenire la formazione di ruggine che porterebbe alla corrosione del metallo.
- 5) Nel caso fosse necessario accedere alla parte inferiore, inclinare la macchina esclusivamente dal lato indicato sul libretto del motore, seguendo le relative istruzioni.
- 6) Evitare di versare benzina sulle parti in plastica del motore o della macchina per evitare di danneggiarle, e ripulire immediatamente ogni traccia di benzina eventualmente versata. La garanzia non copre i danni alle parti in plastica causati dalla benzina.

4.1 Manutenzione della lama

Ogni intervento sulla lama è opportuno che venga eseguito presso un Centro specializzato, che dispone delle attrezzature più idonee.

Su questa macchina è previsto l'impiego di lame riportanti il codice indicato nella tabella a pagina 2.

Data l'evoluzione del prodotto, le lame sopra citate potrebbero essere sostituite nel tempo da altre, con caratteristiche analoghe di intercambiabilità e sicurezza di funzionamento.

Rimontare la lama (2) con il codice rivolto verso il terreno, seguendo la sequenza indicata nella figura.

Serrare la vite centrale (1) con una chiave dinamometrica, tarata a 35-40 Nm.

4.2 Ricarica della batteria (se prevista)

• Modelli con avviamento elettrico a chiave

Per ricaricare una batteria scarica, collegarla al carica batterie (1) secondo le istruzioni del libretto di manutenzione della batteria.

Non collegare il carica batteria direttamente al morsetto del motore.

Non è possibile avviare il motore utilizzando il carica batteria come fonte di alimentazione, poiché quest'ultimo potrebbe danneggiarsi. Se si prevede di non utilizzare il rasoerba per un lungo periodo, scollegare la batteria dal cablaggio del motore, assicurando comunque un buon livello di carica.

• Modelli con avviamento elettrico a pulsante

Per le istruzioni riguardanti l'autonomia, la ricarica, il rimessaggio e la manutenzione della batteria, seguire le istruzioni contenute nel manuale istruzioni del motore.

5. TUTELA AMBIENTALE

La tutela dell'ambiente deve essere un aspetto rilevante e prioritario nell'uso della macchina, a beneficio della convivenza civile e dell'ambiente in cui viviamo.

- Evitare di essere un elemento di disturbo nei confronti del vicinato.
- Seguire scrupolosamente le norme locali per lo smaltimento dei materiali di risulta dopo il taglio.
- Seguire scrupolosamente le norme locali per lo smaltimento di imballi, parti deteriorate o qualsiasi elemento a forte impatto ambientale; questi rifiuti non devono essere gettati nella spazzatura, ma devono essere separati e conferiti agli appositi centri di raccolta, che provvederanno al riciclaggio dei materiali.
- Al momento della messa fuori servizio, non abbandonare la macchina nell'ambiente, ma rivolgersi a un centro di raccolta, secondo le norme locali vigenti.

6. DIAGNOSTICA

Cosa fare se ...	
Origine del problema	Azione correttiva
1. Il rasoerba a benzina non funziona	
Manca l'olio o la benzina nel motore	Procedere al controllo dei livelli dell'olio e della benzina
La candela e il filtro non sono in buono stato	Pulire la candela e il filtro che possono essere imbrattati o sostituirli
Non è stata svuotata la benzina dal rasoerba alla fine della scorsa stagione	Il galleggiante può essere bloccato; inclinare il rasoerba dal lato del carburatore
2. L'erba tagliata non viene più raccolta nel sacco	
La lama ha ricevuto un colpo	Affilare la lama o sostituirla. Verificare le alette che orientano l'erba verso il sacco
L'interno dello chassis è sporco	Pulire l'interno dello chassis per facilitare l'evacuazione dell'erba verso il sacco
3. L'erba si taglia con difficoltà	
La lama non è in buono stato	Affilare la lama o sostituirla

In caso di qualsiasi dubbio o problema, non esitate a contattare il Servizio Assistenza più vicino o il Vostro Rivenditore.



This product is supported by Service Link. If you have been unable to find the information you require above please call the Service Link helpline. Here you will find 1-2-1 help and advice from garden machinery repair specialists.

Service link

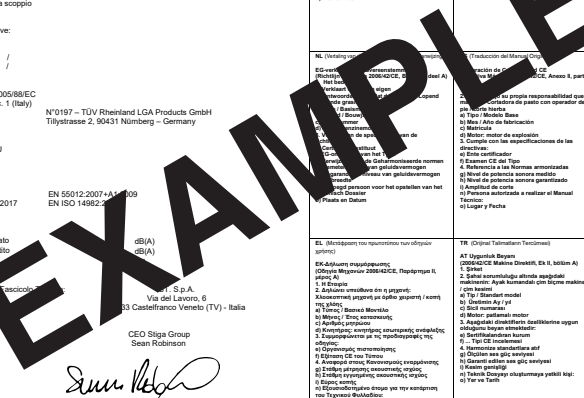


- > **What is Service Link?** Service Link is an aftersales help and advice helpline with a national network of garden machinery repair specialists.
- > **How can we help you?** Here at Service Link we can help with all your trouble shooting, warranty, parts and service needs. Call us and speak to one of our advisors and if required, visit one of our 450 centres across the UK and Ireland.
- > **How can you contact us?** If in the unlikely event that this product does require our help please visit the Service Link website at www.servicelink.org.uk or alternatively contact the helpline on 0800 121 6585 in the UK or 1800806149 in ROI.

CERTIFICATE OF CONFORMITY

A certificate of conformity is enclosed with the documentation as a separate document.
An EXAMPLE is shown below.

DICHIAZIONE CE DI CONFORMITÀ (Istruzioni Original)		FR (Traduction de la notice originale)	EN (Translation of the original instruction)	DE (Übersetzung der Originalanleitung)
<p>1. La Società: ST. S.p.A. - Via del Lavoro, 6 - 31033 Castelfranco Veneto (TV) - Italy (Direttiva Macchine 2006/42/CE - Allegato II, parte A)</p> <p>2. Dichiaro sotto la propria responsabilità, che la macchina: Tosaerba con conducente a piedi / taglio erba</p> <p>a) Tipo / Modello Base: NT 484</p> <p>b) Mese/Anno di costruzione</p> <p>c) Matricola</p> <p>d) Motore a scoppio</p> <p>3. È conforme alle specifiche delle direttive:</p> <p>MD: 2006/42/EC e) Ente Certificatore: / f) Esame CE del tipo: /</p> <p>OND: 2000/14/EC, ANNEX VI - 2005/88/EC D. Lgs. 262/2002, ANNEX VI, proc. 1 (Italy) g) Ente Certificatore: /</p> <p>EMCD: 2014/30/EU RoHS II: 2011/65/EU - 2015/863/EU</p> <p>4. Riferimento alle Norme armonizzate:</p> <p>EN ISO 5395-1:2013+A1:2018 EN 55012:2007+A1:2009 EN ISO 5395-2:2013+A1:2016+A2:2017 EN ISO 14982 EN 50818:2012</p> <p>g) Livello di potenza sonora misurato (dB(A))</p> <p>h) Livello di potenza sonora garantito (dB(A))</p> <p>i) Ampiezza di taglio</p> <p>n) Persona autorizzata a compilare il certificato: CEO Siga Group Via del Lavoro, 6 31033 Castelfranco Veneto (TV) - Italia</p> <p>o) Castelfranco V. It. 01.09.2019 CEO Siga Group Sean Robinson</p>		<p>FR (Traduction de la notice originale)</p> <p>Dichiarazione CE de Conformité (Directive Machine 2006/42/CE - Annexe II, partie A)</p> <p>1. La Société 2. Déclare sous sa propre responsabilité que la machine : Tosaerba à guidon à pied / coupe herbe</p> <p>a) Type / Modèle de base b) Mois / Année de construction c) Série d) Moteur essence e. Est conforme aux spécifications des directives CE de Type f. Références à harmoniser les Directives CE de Type g. Niveau des Normes harmonisées h. Niveau de puissance sonore mesuré i. Niveau de puissance sonore garanti j. Largeur de coupe k. Niveau de puissance sonore garanti l. Niveau de puissance sonore garanti m. Niveau de puissance sonore garanti n. Niveau de puissance sonore garanti o. Niveau de puissance sonore garanti p. Niveau de puissance sonore garanti q. Niveau de puissance sonore garanti r. Niveau de puissance sonore garanti s. Niveau de puissance sonore garanti t. Niveau de puissance sonore garanti u. Niveau de puissance sonore garanti v. Niveau de puissance sonore garanti w. Niveau de puissance sonore garanti x. Niveau de puissance sonore garanti y. Niveau de puissance sonore garanti z. Niveau de puissance sonore garanti</p>	<p>EN (Translation of the original instruction)</p> <p>CE Declaration of Conformity (Machine Directive 2006/42/EC, Annex II, part A)</p> <p>1. I hereby declare under my own responsibility that the machine: Tosaerba controlled lawnmower / Grass cutting m / Lawn Care Mower</p> <p>a) Model / Year of manufacture b) Motor power c) Conform to directive specifications: d) Reference to harmonized Directives e) Level of sound power f) Range of cut g) Measured sound power h) Guaranteed sound power i) Measured sound power j) Guaranteed sound power k) Guaranteed sound power l) Guaranteed sound power m) Guaranteed sound power n) Guaranteed sound power o) Guaranteed sound power p) Guaranteed sound power q) Guaranteed sound power r) Guaranteed sound power s) Guaranteed sound power t) Guaranteed sound power u) Guaranteed sound power v) Guaranteed sound power w) Guaranteed sound power x) Guaranteed sound power y) Guaranteed sound power z) Guaranteed sound power</p>	<p>DE (Übersetzung der Originalanleitung)</p> <p>EG-Konformitätserklärung (Maschinenrichtlinie 2006/42/EG, Anhang II, Teil A)</p> <p>1. Ich erkläre hiermit unter meiner eigenen Verantwortung, dass die Maschine: Mährobotter / Rasenmäher / Rasenmäher</p> <p>a) Typ / Baujahr b) Motor / Verbrennungsmotor c. Entspricht den Anforderungen der Richtlinien d. Referenzen zu harmonisierten Richtlinien e. Gemessene Schalleistung f. Garantierte Schalleistung g. Gemessene Schalleistung h. Garantierte Schalleistung i. Gemessene Schalleistung j. Garantierte Schalleistung k. Gemessene Schalleistung l. Garantierte Schalleistung m. Gemessene Schalleistung n. Garantierte Schalleistung o. Gemessene Schalleistung p. Garantierte Schalleistung q. Gemessene Schalleistung r. Garantierte Schalleistung s. Gemessene Schalleistung t. Garantierte Schalleistung u. Gemessene Schalleistung v. Garantierte Schalleistung w. Gemessene Schalleistung x. Garantierte Schalleistung y. Gemessene Schalleistung z. Garantierte Schalleistung</p>
<p>2. Dichiaro che la macchina è conforme alle norme armonizzate:</p> <p>EN ISO 5395-1:2013+A1:2018 EN 55012:2007+A1:2009 EN ISO 5395-2:2013+A1:2016+A2:2017 EN ISO 14982 EN 50818:2012</p> <p>g) Livello di potenza sonora misurato (dB(A))</p> <p>h) Livello di potenza sonora garantito (dB(A))</p> <p>i) Ampiezza di taglio</p> <p>n) Persona autorizzata a compilare il certificato: CEO Siga Group Via del Lavoro, 6 31033 Castelfranco Veneto (TV) - Italia</p> <p>o) Castelfranco V. It. 01.09.2019 CEO Siga Group Sean Robinson</p>		<p>FR (Traduction de la notice originale)</p> <p>Dichiarazione CE de Conformité (Directive Machine 2006/42/CE - Annexe II, partie A)</p> <p>2. Déclare que la machine est conforme aux normes harmonisées: EN ISO 5395-1:2013+A1:2018 EN 55012:2007+A1:2009 EN ISO 5395-2:2013+A1:2016+A2:2017 EN ISO 14982 EN 50818:2012</p> <p>g) Niveau de puissance sonore mesuré (dB(A)) h) Niveau de puissance sonore garanti (dB(A)) i) Largeur de coupe n) Personne autorisée à remplir le certificat: CEO Siga Group Via del Lavoro, 6 31033 Castelfranco Veneto (TV) - Italia o) Castelfranco V. It. 01.09.2019 CEO Siga Group Sean Robinson</p>	<p>EN (Translation of the original instruction)</p> <p>CE Declaration of Conformity (Machine Directive 2006/42/EC, Annex II, part A)</p> <p>2. I hereby declare that the machine is in accordance with the harmonized standards: EN ISO 5395-1:2013+A1:2018 EN 55012:2007+A1:2009 EN ISO 5395-2:2013+A1:2016+A2:2017 EN ISO 14982 EN 50818:2012</p> <p>g) Measured sound power level (dB(A)) h) Guaranteed sound power level (dB(A)) i) Range of cut n) Person authorized to fill in the certificate: CEO Siga Group Via del Lavoro, 6 31033 Castelfranco Veneto (TV) - Italia o) Castelfranco V. It. 01.09.2019 CEO Siga Group Sean Robinson</p>	<p>DE (Übersetzung der Originalanleitung)</p> <p>CE-Konformitätserklärung (Maschinenrichtlinie 2006/42/EG, Anhang II, Teil A)</p> <p>2. Erkläre, dass die Maschine den harmonisierten Normen entspricht: EN ISO 5395-1:2013+A1:2018 EN 55012:2007+A1:2009 EN ISO 5395-2:2013+A1:2016+A2:2017 EN ISO 14982 EN 50818:2012</p> <p>g) Gemessene Schalleistung (dB(A)) h) Garantierte Schalleistung (dB(A)) i) Mähbreite n) Person, die das Zertifikat ausfüllen darf: CEO Siga Group Via del Lavoro, 6 31033 Castelfranco Veneto (TV) - Italia o) Castelfranco V. It. 01.09.2019 CEO Siga Group Sean Robinson</p>
<p>3. Dichiaro che la macchina è conforme alle norme armonizzate:</p> <p>EN ISO 5395-1:2013+A1:2018 EN 55012:2007+A1:2009 EN ISO 5395-2:2013+A1:2016+A2:2017 EN ISO 14982 EN 50818:2012</p> <p>g) Livello di potenza sonora misurato (dB(A))</p> <p>h) Livello di potenza sonora garantito (dB(A))</p> <p>i) Ampiezza di taglio</p> <p>n) Persona autorizzata a compilare il certificato: CEO Siga Group Via del Lavoro, 6 31033 Castelfranco Veneto (TV) - Italia</p> <p>o) Castelfranco V. It. 01.09.2019 CEO Siga Group Sean Robinson</p>		<p>FR (Traduction de la notice originale)</p> <p>Dichiarazione CE de Conformité (Directive Machine 2006/42/CE - Annexe II, partie A)</p> <p>3. Déclare que la machine est conforme aux normes harmonisées: EN ISO 5395-1:2013+A1:2018 EN 55012:2007+A1:2009 EN ISO 5395-2:2013+A1:2016+A2:2017 EN ISO 14982 EN 50818:2012</p> <p>g) Niveau de puissance sonore mesuré (dB(A)) h) Niveau de puissance sonore garanti (dB(A)) i) Largeur de coupe n) Personne autorisée à remplir le certificat: CEO Siga Group Via del Lavoro, 6 31033 Castelfranco Veneto (TV) - Italia o) Castelfranco V. It. 01.09.2019 CEO Siga Group Sean Robinson</p>	<p>EN (Translation of the original instruction)</p> <p>CE Declaration of Conformity (Machine Directive 2006/42/EC, Annex II, part A)</p> <p>3. I hereby declare that the machine is in accordance with the harmonized standards: EN ISO 5395-1:2013+A1:2018 EN 55012:2007+A1:2009 EN ISO 5395-2:2013+A1:2016+A2:2017 EN ISO 14982 EN 50818:2012</p> <p>g) Measured sound power level (dB(A)) h) Guaranteed sound power level (dB(A)) i) Range of cut n) Person authorized to fill in the certificate: CEO Siga Group Via del Lavoro, 6 31033 Castelfranco Veneto (TV) - Italia o) Castelfranco V. It. 01.09.2019 CEO Siga Group Sean Robinson</p>	<p>DE (Übersetzung der Originalanleitung)</p> <p>CE-Konformitätserklärung (Maschinenrichtlinie 2006/42/EG, Anhang II, Teil A)</p> <p>3. Erkläre, dass die Maschine den harmonisierten Normen entspricht: EN ISO 5395-1:2013+A1:2018 EN 55012:2007+A1:2009 EN ISO 5395-2:2013+A1:2016+A2:2017 EN ISO 14982 EN 50818:2012</p> <p>g) Gemessene Schalleistung (dB(A)) h) Garantierte Schalleistung (dB(A)) i) Mähbreite n) Person, die das Zertifikat ausfüllen darf: CEO Siga Group Via del Lavoro, 6 31033 Castelfranco Veneto (TV) - Italia o) Castelfranco V. It. 01.09.2019 CEO Siga Group Sean Robinson</p>



Sean Robinson

171513665_12

04_00001_13_1000_0_0

Guarantee

Congratulations on the purchase of your Mountfield lawnmower. This product has been manufactured to the highest quality standards and is guaranteed for domestic use against faulty parts or manufacture for a period of 3 years from the date of purchase. Please note that if the machine is used commercially the guarantee period is 90 days from the date of purchase. If you experience any problem with your Mountfield lawnmower please call our technical helpline on 0800 121 6585 or 1800 806 149 ROI and our operators will endeavour to solve your problem. In the event your problem cannot be resolved over the phone the operator will refer you to one of our local Mountfield authorised service dealers.

This guarantee is subject to the following terms;

- This guarantee is not transferable. An original proof of purchase will be required in the event of a claim.
- For products with a warranty period in excess of 2 years the warranty is conditional on your machine receiving an annual service by an approved Mountfield Authorised Service Dealer. Servicing at the correct intervals will not only maintain the performance and reliability of your lawnmower it also increases the resale value. A service schedule should be kept including invoicing and receipts. Please phone 0800 121 6585 or 1800 806 149 ROI to locate your nearest Mountfield Authorised Service Dealer or visit www.servicelink.org.uk. Service procedures (for example carb cleaning, draining engine oil, blade sharpening, belt and cable adjustment) and consumable parts that require periodic replacement (for example the spark plug, air filter and oil) are not covered under this guarantee. This also applies to parts subject to fair wear and tear (for example wheels, bearings, starter cord, cables, belts and blade).
- Delivery and collection of the machine is your responsibility and not covered under this guarantee.
- The guarantee does not cover any breakages or damage that are a result of the following; misuse, alteration, improper assembly or adjustment, neglect or accident.
- Expenses and costs incurred from loss of utility will not be compensated.
- The guarantee does not cover machines that are transported outside of the UK & Eire.
- Where a mower is fitted with an engine not manufactured by Mountfield, the engine manufacturer guarantees the engine.

This guarantee is in addition to and does not detract from your contractual rights under statute or common law.

On delivery of your new Mountfield mower, we suggest that you complete the box to the right.

The information for your machine is on the serial number label, which is fixed on the cutter deck at the base of the handles. You will be asked for these details if you have any problems or require spare parts.

Please keep your receipt, proof of purchase will be required in the event of a claim.



Type:	
Art.N -s/n	

Service Record	
<p><u>1st Service</u></p> <p>Date of service</p> <p>Next service due</p> <p>Dealer's Signature</p> <p>Dealer's Stamp:</p>	<p><u>2nd Service</u></p> <p>Date of service</p> <p>Next service due</p> <p>Dealer's Signature</p> <p>Dealer's Stamp:</p>

STIGA LTD

Unit 8, Bluewater Estate, Bell Close, Plympton, Plymouth, Devon, PL7 4JH, England.

manufactured by ST. S.p.A. Via del Lavoro, 6 I-31033 Castelfranco Veneto (TV) Italy

Part Number 171506345/0