

*Please Read These Instructions
Before Using Your Mower*

Mountfield

Operating Instructions

*for models
HP185 & SP185 Lawnmowers
with Stiga ST140 139cc engine*



Product Codes:
2L0481043/MC
2L0482043/MC

**Do not return this product to store, please call
the Service Link Helpline**

**Products with petrol in cannot be accepted
back in store**

Buy with confidence

SERVICE
LINK
servicelink.org.uk

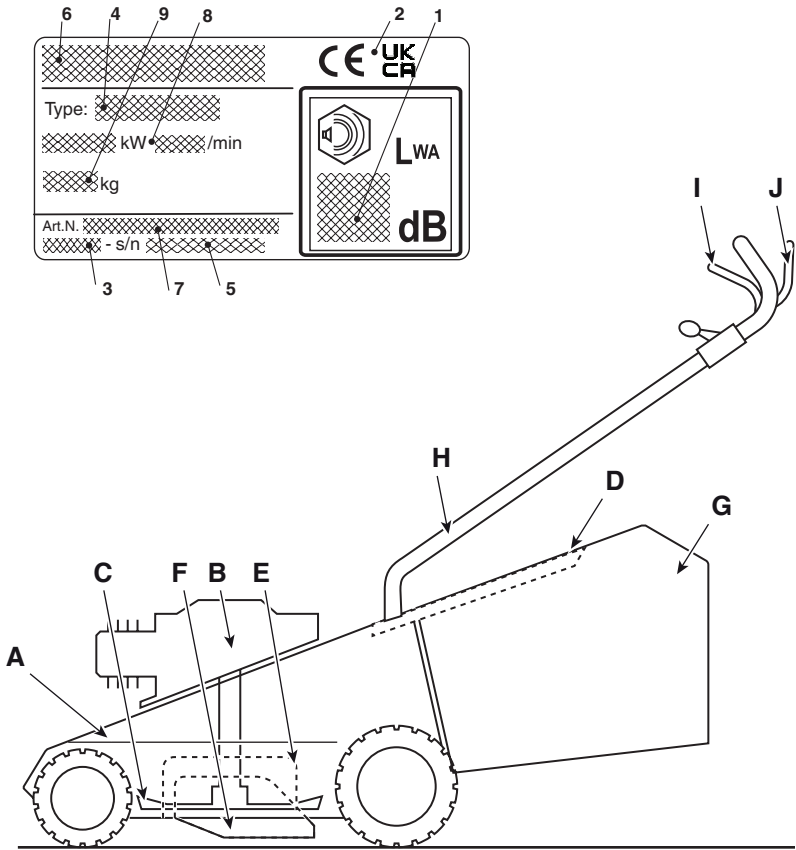
For after sales help and advice please call

HELPLINE
0800 121 6585
1800 806 149 ROI

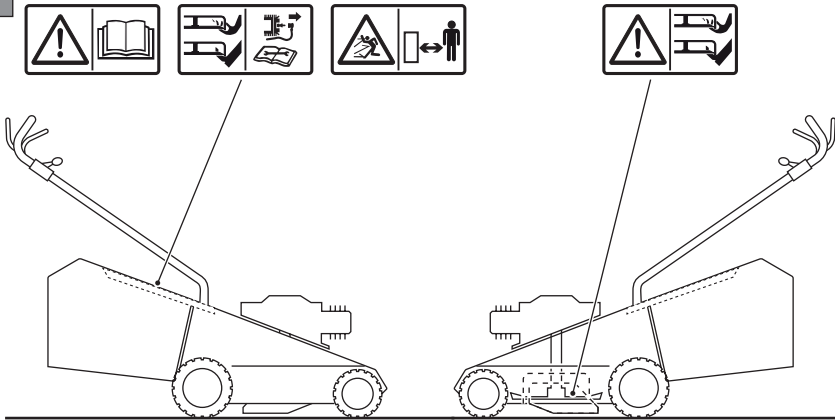
ENGLISH - Translation of the original instruction **EN**

ITALIANO - **Istruzioni Originali** **IT**

1



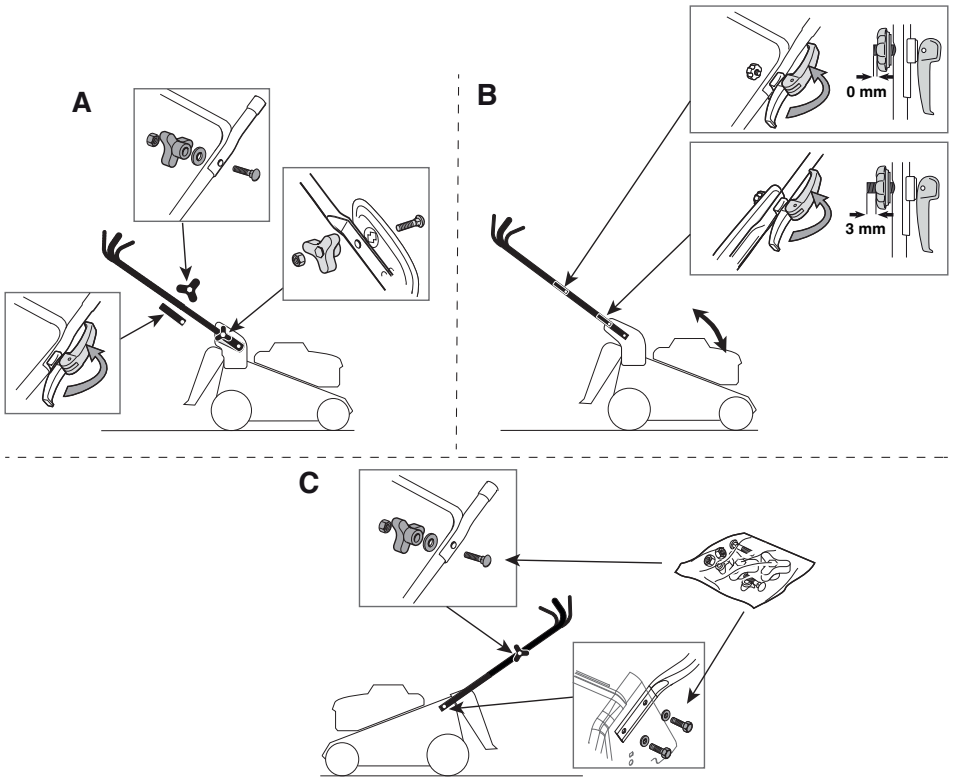
2



3

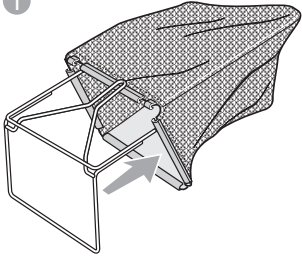


4

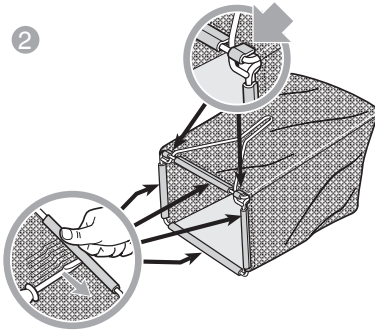


5

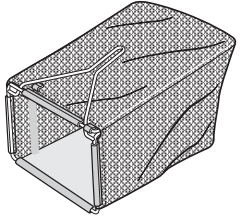
1



2

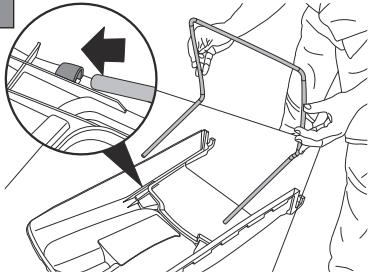


3

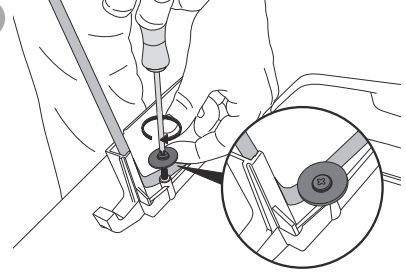


6

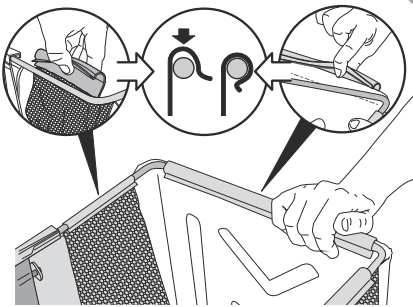
1



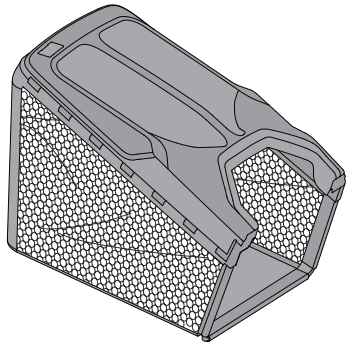
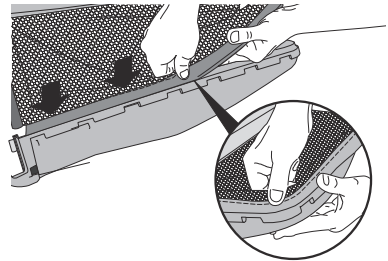
2

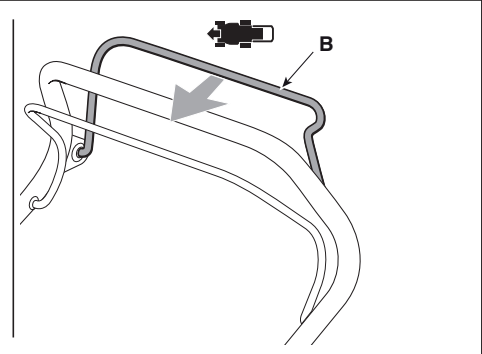
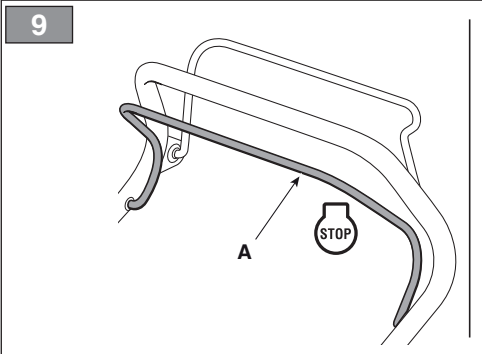
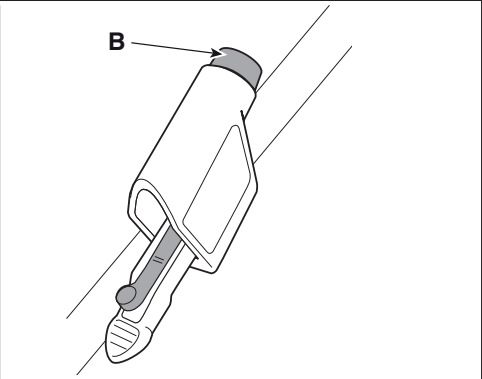
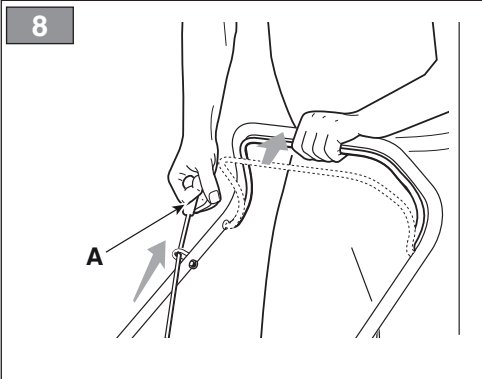
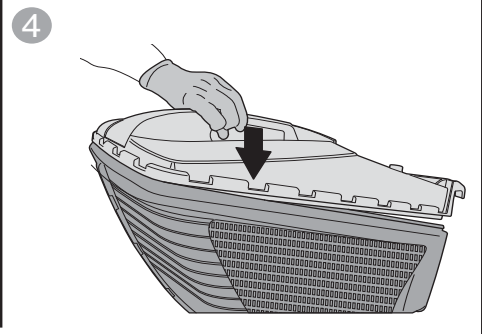
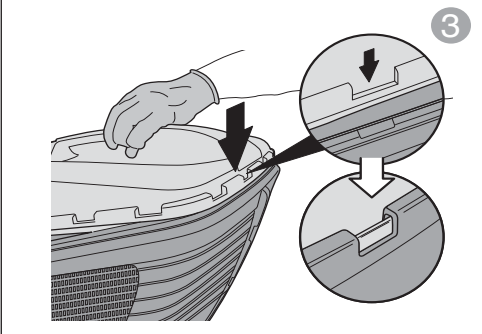
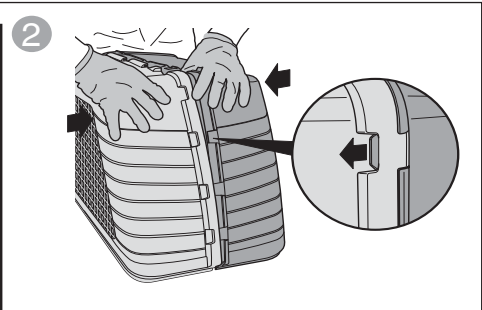
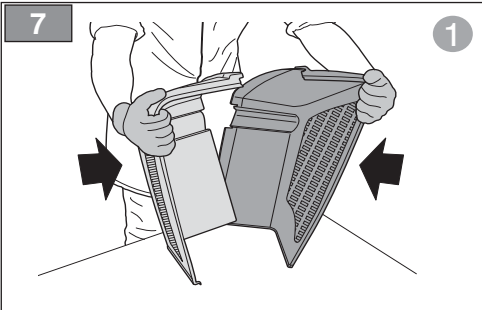


3

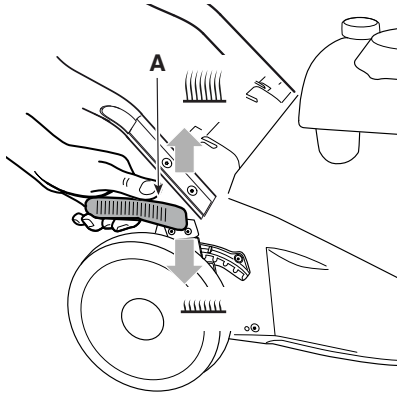


4

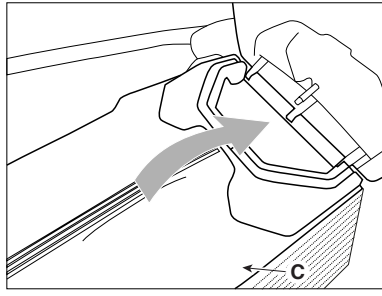
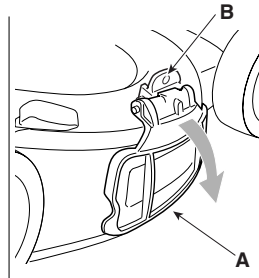




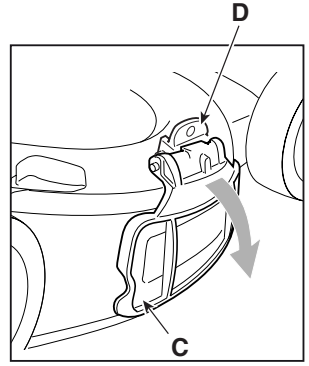
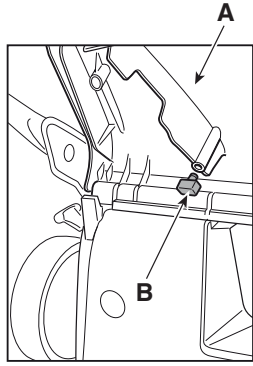
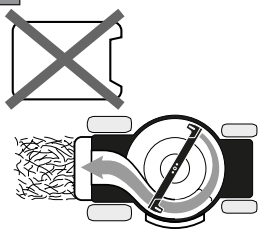
10



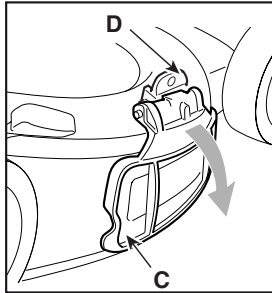
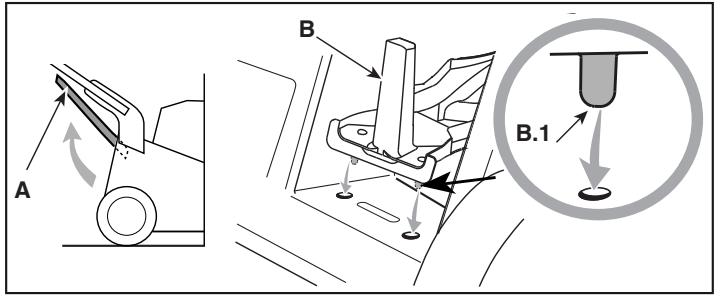
11



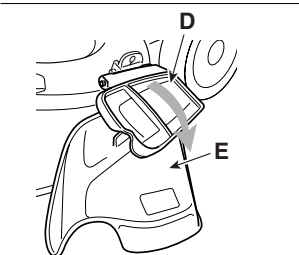
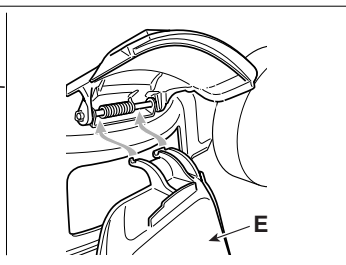
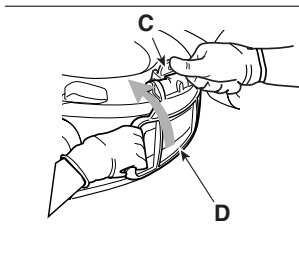
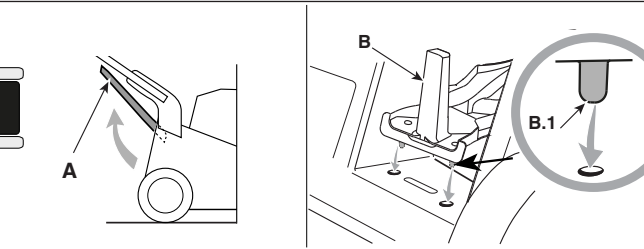
12

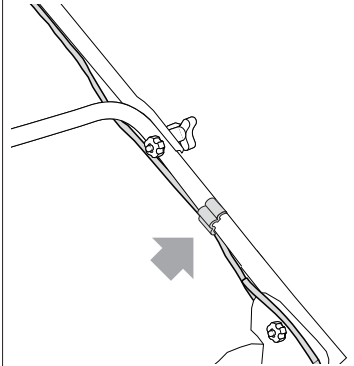
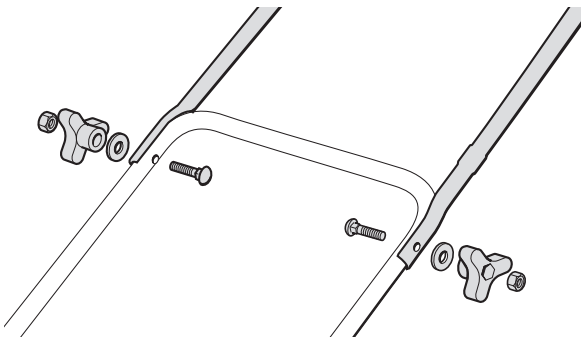
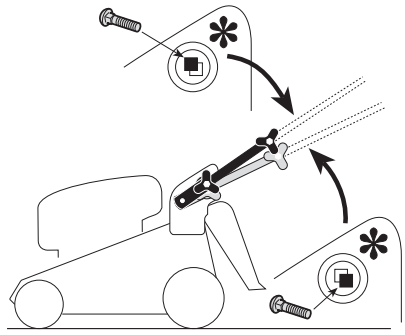
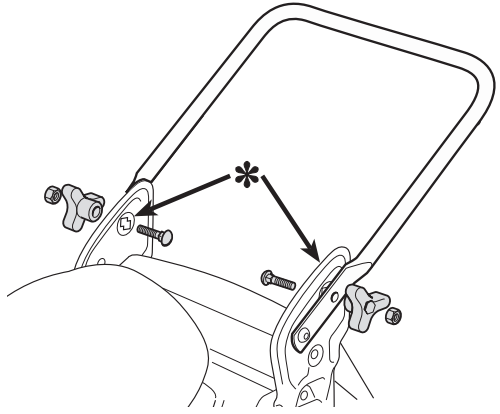
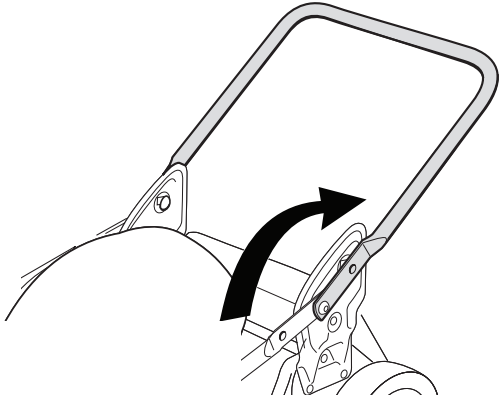


13



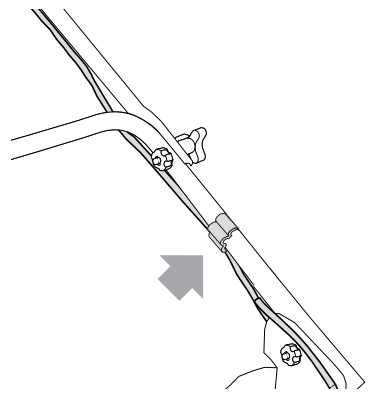
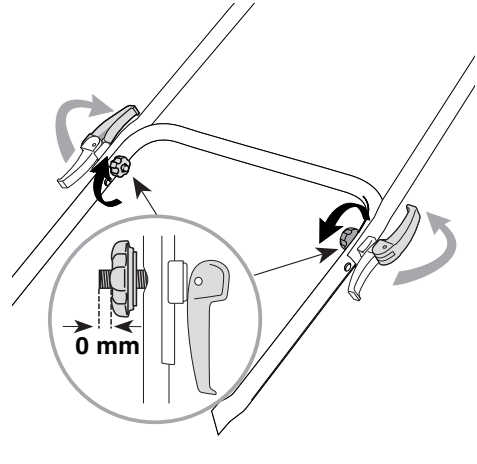
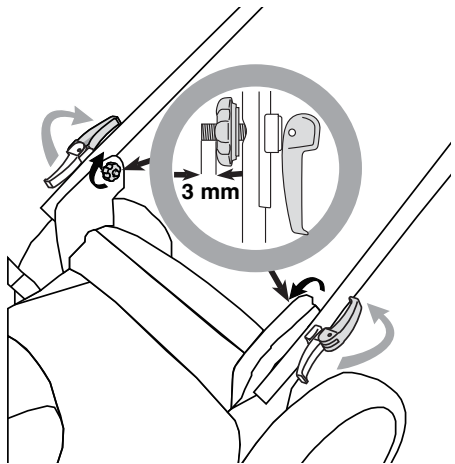
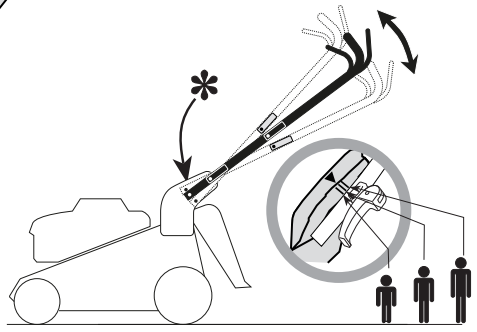
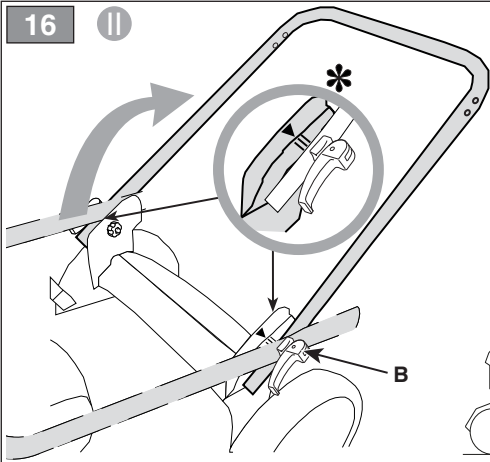
14



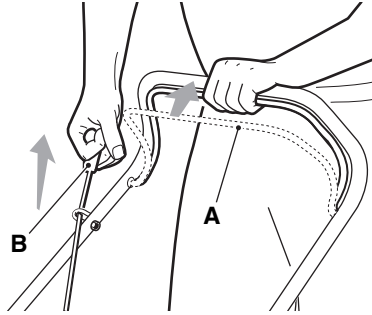


16

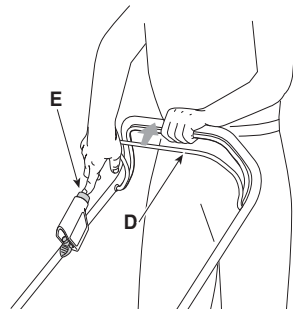
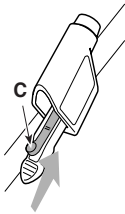
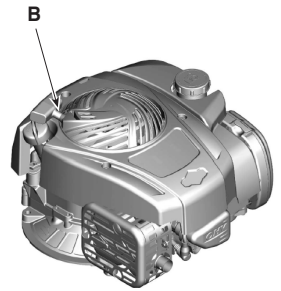
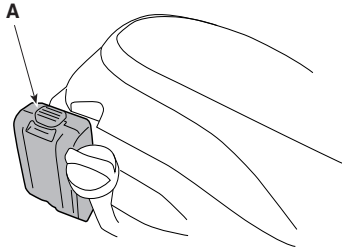
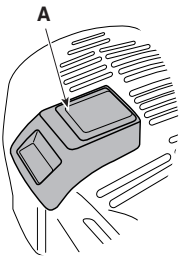
II



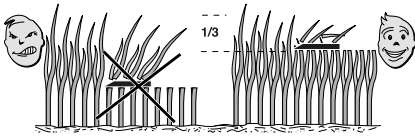
17



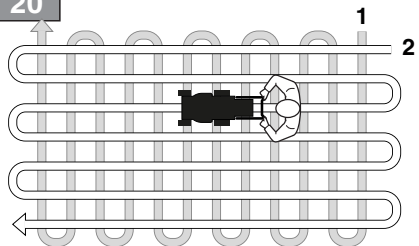
18



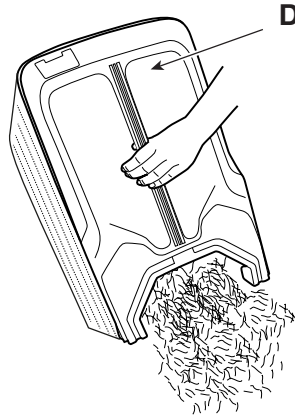
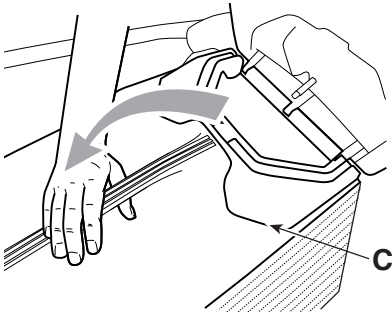
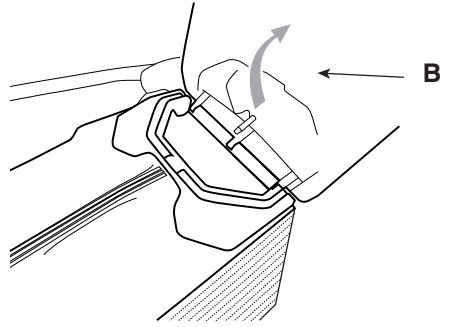
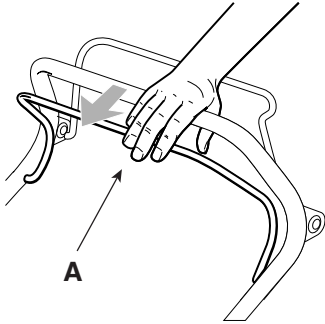
19



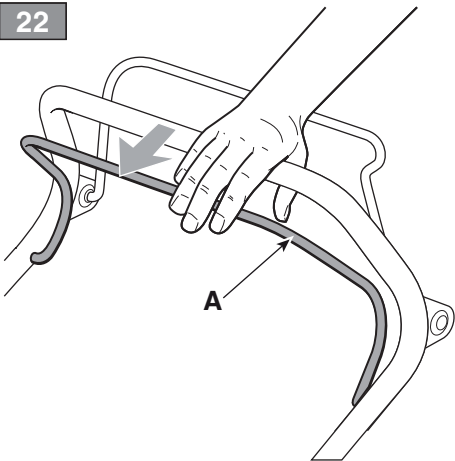
20



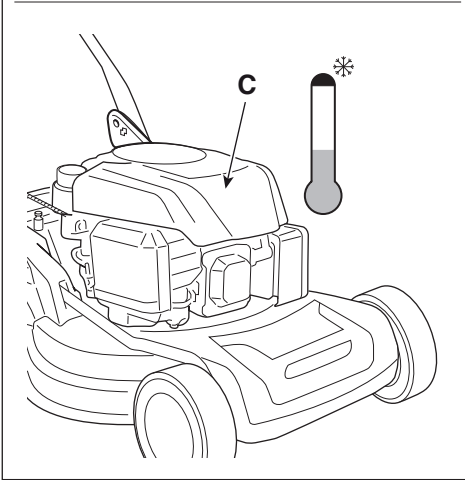
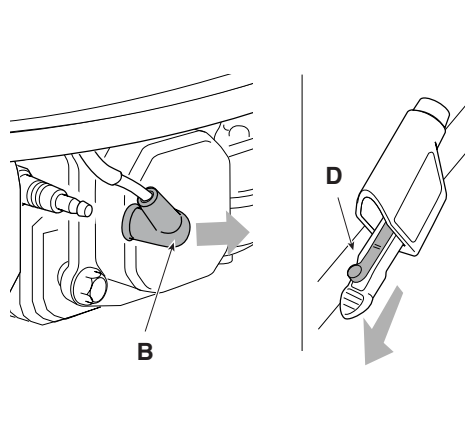
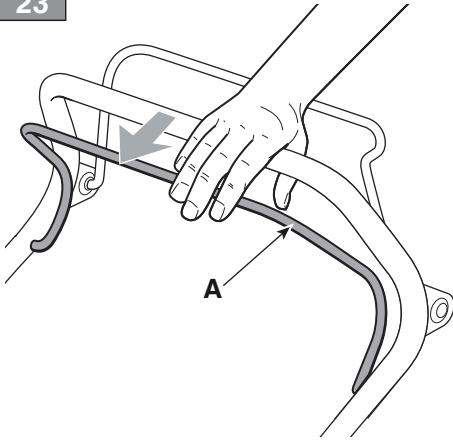
21



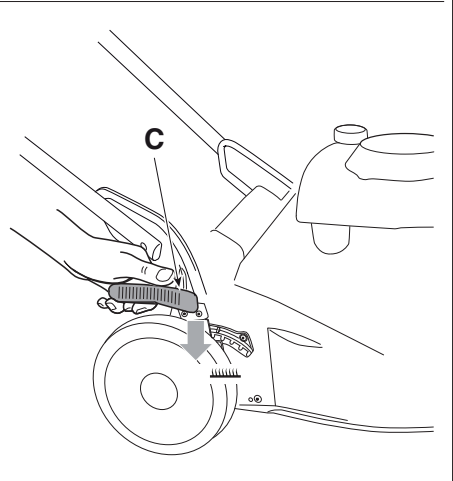
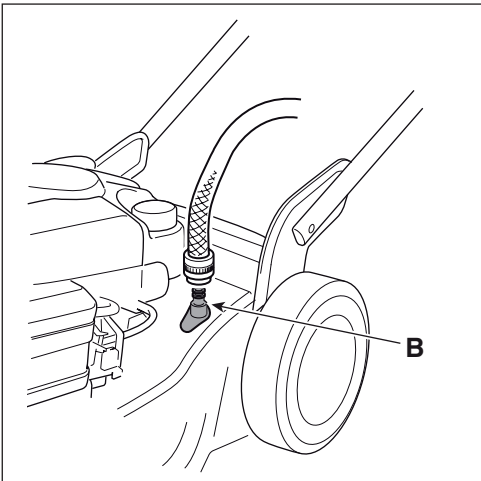
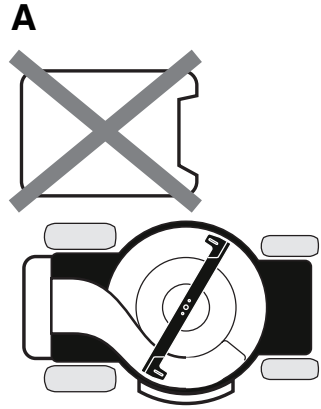
22



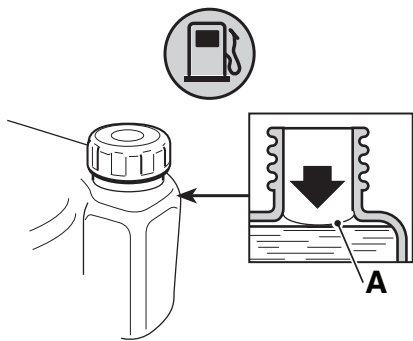
23



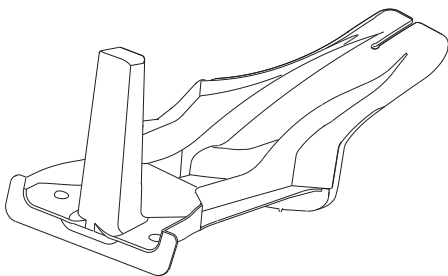
25



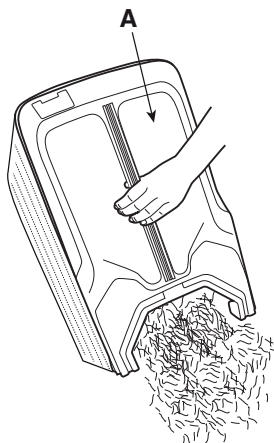
24



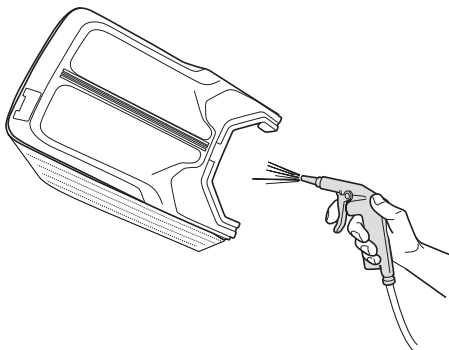
28



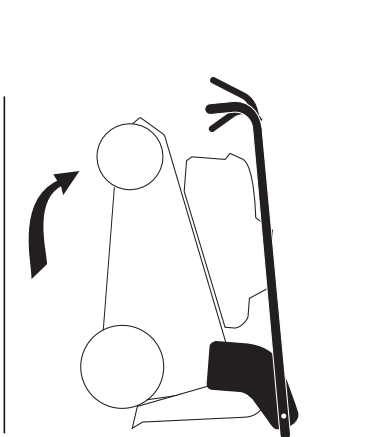
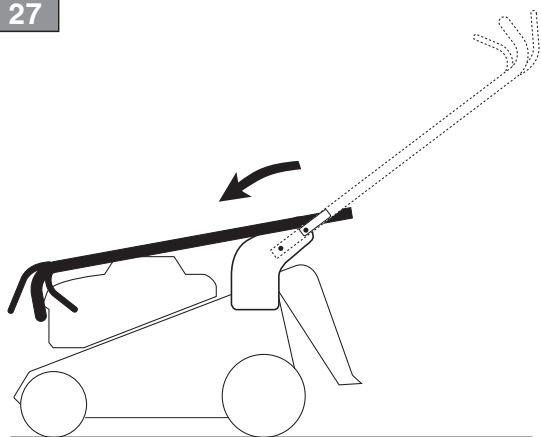
26

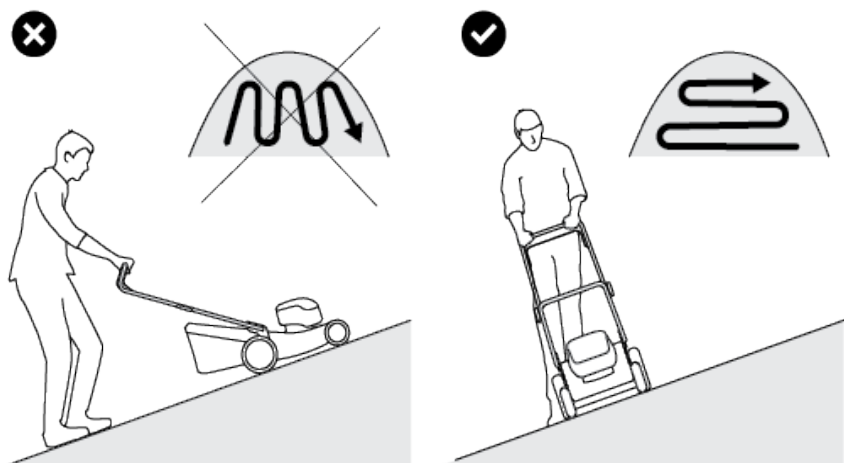
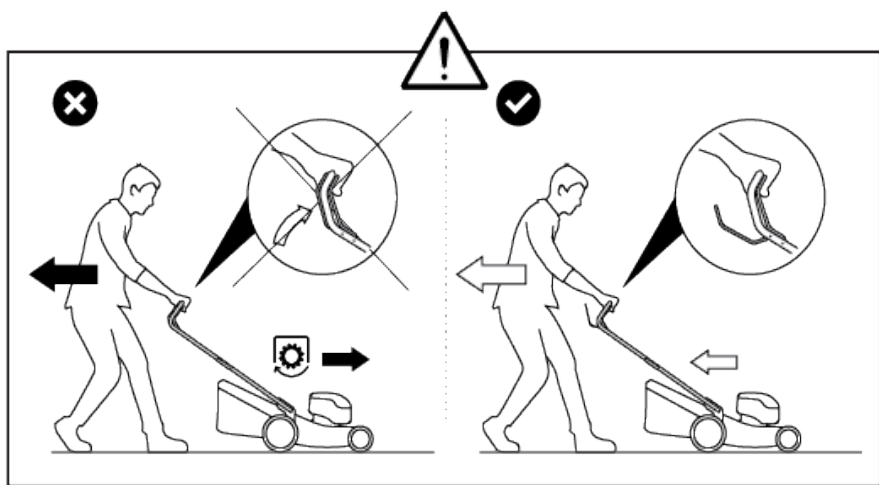
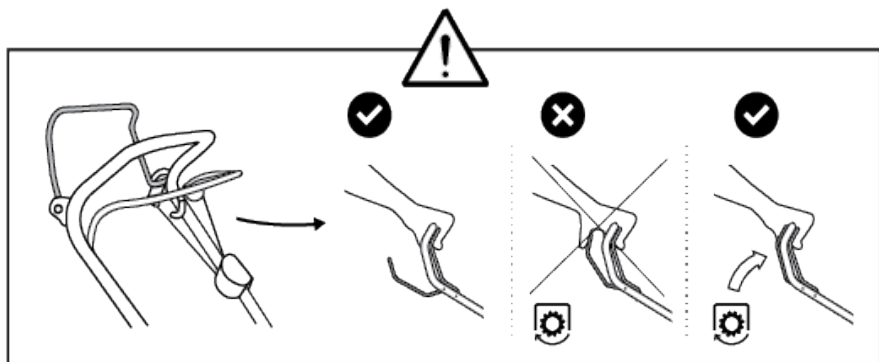


B



27





[1]	TECHNICAL DATA		CP1 484 Series
[2]	Nominal power *	kW	1,75 ÷ 3,3
[3]	Max. engine operation speed *	min ⁻¹	2900 ± 100
[4]	Machine weight *	kg	22 ÷ 32
[5]	Cutting width	cm	46
[6]	Cutting blade		81004346/3
[7]	Acoustic pressure level (max.)	dB(A)	83
[8]	Measurement uncertainty	dB(A)	1,46
[9]	Acoustic power level measured (max.)	dB(A)	96
[8]	Measurement uncertainty	dB(A)	0,61
[10]	Acoustic power level guaranteed	dB(A)	96
[11]	Vibration level (max.)	m/s ²	5,9
[8]	Measurement uncertainty	m/s ²	1,82

[12]	OPTIONAL ACCESSORIES	
[13]	Kit "Mulching"	✓

* Please refer to the data indicated on the machine's identification plate for the exact figure.

** with "Vibe Control System"

[1] **IT - DATI TECNICI**

[2] Potenza nominale *

[3] Velocità mass. di funzionamento motore *

[4] Peso macchina *

[5] Ampiezza di taglio

[6] Codice dispositivo di taglio

[7] Livello di pressione acustica

[8] Incertezza di misura

[9] Livello di potenza acustica misurato

[10] Livello di potenza acustica garantito

[11] Livello di vibrazioni

[12] ACCESSORI A RICHIESTA i

[13] Kit "Mulching"

• Per il dato specifico, fare riferimento a quanto indicato nell'etichetta di identificazione della macchina



INDEX


1. GENERAL INFORMATION	1
2. SAFETY REGULATIONS	1
3. GETTING TO KNOW THE MACHINE.....	3
4. ASSEMBLY.....	4
5. CONTROLS.....	4
6. USING THE MACHINE.....	4
7. MAINTENANCE.....	5
8. STORAGE.....	6
9. HANDLING AND TRANSPORTATION	6
12. ATTACHMENTS ON REQUEST	7

1. GENERAL INFORMATION

1.1 HOW TO READ THE MANUAL

Some paragraphs in the manual contain important information regarding safety and operation and are emphasised in this manner:

NOTE OR IMPORTANT *these give details or further information on what has already been said, and aim to prevent damage to the machine.*

This  symbol highlights danger. Failure to observe the warning can lead to possible personal and/or third party injury and/or damage.

- The paragraphs highlighted in a square with grey spots indicate the optional characteristics not on all models documented in this manual. Check if the characteristics are available on this model.

Whenever reference is made to a position on the machine "front", "back", "left" or "right" hand side, this refers to the operator's driving position.

1.2 REFERENCES

1.2.1 Figures

The figures in these instructions for use are numbered 1, 2, 3, etc.

The components indicated in the figures are identified with letters A, B, C, and so on.

Reference to component C in figure 2 is indicated with the wording: "See fig. 2.C" or simply "(Fig. 2.C)".


The figures are given as a guide only. The actual pieces can differ from those illustrated in this document.

1.2.2 Titles

The manual is divided into chapters and paragraphs. The title of paragraph "2.1 Training" is a sub-title of "2. Safety regulations". References to titles or paragraphs are marked with the abbreviation chap. or par. and the relevant number. Example: "chap. 2" or "par. 2.1"

2. SAFETY REGULATIONS

2.1 TRAINING

 **Become acquainted with the controls and the proper use of the machine. Learn how to stop the motor quickly. Failure to follow the warnings and instructions may result in fire and/or serious injury.**

- Never allow children or persons unfamiliar with these instructions to use the machine. Local laws may establish a minimum age for users.
- Never use the machine if the user is tired or unwell, or has taken medicine, drugs, alcohol or any substances which may slow their reflexes and compromise his judgement.
- Do not allow children or other passengers to ride on the machine.
- Bear in mind that the operator or user is responsible for accidents or unexpected events occurring to other people or their property. It is the user's responsibility to assess the potential risk of the area where work is to be carried out and to take all the necessary precautions to ensure his own safety and that of others, particularly on slopes or rough, slippery and unstable ground.
- If the machine is sold or lent to others, make sure that the operator reads the user instructions contained in this manual.

2.2 PRELIMINARY PROCEDURES


Personal Protective Equipment (PPE)

- Always wear suitable work attire, hard-wearing safety footwear with non-slip soles and long trousers. Do not operate the machine barefoot or wearing open sandals. Wear hearing protection devices.
- Use of hearing protections can reduce the ability to hear any warnings (shouting or alarms). Be careful of what occurs around you in the work area.
- Wear protective gloves whenever your hands are at risk.
- Never wear scarves, shirts, necklaces, bracelets, loose flowing clothing, laces or ties or any hanging or flapping accessory that could catch in the machine or in any objects or materials in the work area.
- Tie your hair back if it is long.

Work area/Machine

- Thoroughly inspect the entire work area and remove anything that could be thrown by the machine or damage the cutting means/rotating units (stones, branches, iron wire, bones, etc.).

Internal combustion engine: fuel

-  **DANGER!** The fuel is highly flammable.
- Keep the fuel in approved containers, in a safe place, away from any naked lights or heat sources.
- Keep the containers free of residues of grass, leaves or excessive grease.
- Keep the containers out of the reach of children.
- Do not smoke when filling up with fuel or when handling the fuel.
- Use a funnel to top up with fuel only in the open air.
- Do not inhale fuel fumes.
- Never remove the tank cap or add fuel while the engine is running or when the engine is hot.
- Open the fuel tank slowly to allow the pressure inside to decrease gradually.
- Do not approach the tank opening with a naked flame to check its contents.
- In case of fuel leakages, do not attempt to start the engine but move the machine away from the area of spillage and avoid creating any source of ignition until the fuel has evaporated and fuel vapours have dissipated.
- Immediately clean up all traces of fuel spilt on the machine or on the ground.

- Replace caps of all fuel tanks and containers securely.
- Never start the machine in the same place in which you refuelled it with fuel; the engine must be started in an area at least 3 metres from where you refuelled.
- Avoid getting any fuel or your clothing and, if this should happen, change your clothes before starting the engine.

2.3 DURING OPERATION

Work Area

- Do not operate the engine in confined spaces where dangerous carbon monoxide fumes can collect. The start-up operations must be carried out outdoors or in a well-ventilated area. Always remember that the exhaust gases are toxic.
- When starting up the machine, do not direct the silencer and therefore the exhaust fumes towards flammable materials.
- Do not use the machine in environments at risk of explosion, in the presence of flammable liquids, gas or powder. Power tools create sparks which may ignite the dust or fumes.
- Work only in daylight or with good artificial light in good visibility conditions.
- Keep persons, children and animals away from the working area. Children must be supervised by another adult.
- Avoid working with wet grass, in the rain and when there is a risk of a thunderstorm, especially lightening.
- Pay careful attention to uneven ground (hills, dips), slopes, hidden hazards and obstacles that could limit visibility.
- Be very careful near ravines, ditches or embankments. The machine could overturn if a wheel slides over the edge or if the earth gives way.
- Always mow across a slope and never up and down it, being very careful when changing direction, making sure you have firm footing and that the wheels do not hit any obstacles (such as stones, branches, roots, etc.) that may cause the machine to slide sideways or make you lose control of it.
- Look out for traffic when using the machine near the road.
- To avoid the risk of fire, do not leave the machine with the engine hot on leaves or dry grass or other flammable material.

Behaviour

- Exercise caution when reversing or moving backwards. Look behind you to make sure there are no obstacles before and during operations in reverse gear.
- Never run, always walk.
- Do not allow the lawnmower to pull you along.
- Always keep hands and feet away from the cutting means, when starting and when using the machine.
- Attention: the cutting means will continue to rotate for a few seconds after disengagement or after you have switched off the motor.
- Keep away from the discharge opening.
- Do not touch the parts of the engine that heat up during operation. Risk of burns.

⚠ If something breaks or an accident occurs during mowing, turn off the motor immediately and move the machine away to prevent further damage; if an accident occurs with injuries or third parties are injured, carry out the first aid measures most suitable for the situation immediately and contact the medical authorities for any necessary health care. Carefully remove any debris which could cause damage or injury to persons or animals if ignored.

Use limitations

- Never operate the machine with guards damaged, missing or incorrectly assembled (grass catcher, side discharge guards, rear discharge guards).
- Don't use the machine if the attachments/tools are not installed in their seats.

- Never disengage, deactivate, remove or tamper with the safety systems/micro switches installed.
- Do not change the engine adjustments, or exceed the maximum rpm. If the engine is forced to run at an excessive speed, the risk of personal injury increases.
- Do not strain the machine too much and do not use a small machine for heavy-duty work; if you use the right machine, you will reduce the risk of hazards and improve the quality of your work.

2.4 MAINTENANCE, STORAGE AND TRANSPORT

Ensure regular maintenance and correct storage to maintain machine safety and high performance levels.

Maintenance

- Never use the machine with worn or damaged parts. Faulty or worn-out parts must always be replaced and never repaired.
- To reduce the risk of fire, check for oil and/or fuel leaks on a regular basis.
- Be careful during adjustment of the machine to prevent entrapment of the fingers between moving parts of the cutting means and fixed parts of the machine.

⚠ The noise and vibration levels shown in these instructions are the maximum levels for use of the machine. The use of an unbalanced cutting element, the excessive speed of movement, or the absence of maintenance have a significant influence on noise emissions and vibrations. Consequently, it is necessary to take preventive steps to eliminate possible damage due to high levels of noise and stress from vibration; Maintain the machine well, wear ear protection devices, and take breaks while working.

Storage

- Do not store the machine with fuel in the tank in an area where fuel vapours could reach a naked light, a spark or a strong heat source.
- To reduce fire risks, do not leave containers with debris inside a room.

2.5 ENVIRONMENTAL PROTECTION

Safeguarding the environment must be a relevant and priority aspect of machine use, of benefit to the community and the environment we live in.

- Avoid being a disturbance to the neighbourhood. Use this machine at reasonable times of the day only (not early morning or late evening when the noise could cause disturbance).
- Comply with local regulations for the disposal of packaging, deteriorated parts or any elements with a strong environmental impact; this waste must not be disposed of with regular waste, but must be separated and taken to collection centres, who will recycle the materials.
- Comply with local regulations for the disposal of waste materials.
- When the machine is withdrawn from service, do not dispose of it in the environment, but take it to a waste disposal facility in accordance with the local regulations in force.

3. GETTING TO KNOW THE MACHINE

3.1 DESCRIPTION OF THE MACHINE AND PLANNED USE

This machine is pedestrian-controlled lawnmower.

The machine is essentially composed of a motor which drives a cutting means enclosed in a casing, equipped with wheels and a handle.

The operator is able to operate the machine and use the main controls, always staying behind the handle at a safe distance from the rotating cutting means.

If the operator leaves the machine, the motor and cutting means will stop within a few seconds.

Intended use

This machine is designed and built to cut (and collect) grass in gardens and grassy areas, with a height according to its cutting capacity, driven by an operator walking behind it.

Generally speaking this machine can:

1. Mow the grass and collect it in the grass catcher bag.
2. Mow the grass and discharge it on the ground through the rear part (if available).
3. Mow the grass and discharge it on the ground laterally (if available).
4. Mow the grass, chop it and discharge it on the ground (mulching effect - if available).

The use of special attachments provided for by the Manufacturer as original equipment or which may be purchased separately, allows this work to be done in various operating modes, illustrated in this manual or the instructions that accompany the single attachments.

3.1.1 Improper use

Any other usage, different than the afore-mentioned may be hazardous and harm persons and/or damage things.

Examples of improper use may include, but are not limited to:

- Allowing children, animals or other passengers on the machine as they could fall off and injure themselves or compromise safe driving by the operator;
- Letting oneself be transported by the machine;
- Using the machine to tow or push loads;
- Using the cutting means on surfaces other than grass;
- Using the machine for leaf or debris collection;
- Using the machine to trim hedges, or for cutting vegetation other than grass;
- using of the machine by more than one person.

IMPORTANT *Improper use of the machine will invalidate the warranty, relieve the Manufacturer from all liabilities, and the user will consequently be liable for all and any damage or injury to himself or others.*

3.1.2 User types

This machine is intended for use by consumers, i.e. non-professional operators.

It is intended for "DIY" use only.

IMPORTANT *The machine must be used by one operator.*

3.2 SAFETY SIGNS

The machine has various symbols on it (Fig.2.0). Their function is to remind the operator of the correct conduct for use, with due care and caution. Meanings of the symbols:



Warning. Read the instructions before operating the machine



Warning! Do not put hands or feet inside the compartment of the cutting means. Remove the spark plug cap and read the instructions before carrying out any maintenance or repair work.



Danger! Risk of thrown objects. Keep all persons away from the work area whilst working.



Danger! Danger of cutting. Cutting means in motion. Do not put hands or inside the housing of the cutting means.



Warning. When using the sharp cutting device. Do not put hands or feet near or under the opening of the cutting means. The cutting means continues to turn even after the motor has been switched off. Disconnect the plug from the mains before starting maintenance work or if the power cable is damaged.
(Only for electrical lawn mowers models)



Warning. Keep the power cable away from the cutting means.
(Only for electrical lawn mowers models)

IMPORTANT *Any damaged or illegible decals must be replaced. Order replacement decals from an Authorised Service Centre.*

3.3 IDENTIFICATION LABEL

The identification label holds the following data (Fig.1.0).

1. Sound power level.
2. Conformity marking.
3. Year of manufacture.
4. Type of machine.
5. Serial number.
6. Name and address of Manufacturer.
7. Article code.
8. Nominal power and maximum operating engine speed.
9. Machine mass with empty tank in kg.

Write the identification data of the machine in the specific space on the label on the back of the cover page.

IMPORTANT *Quote the information on the product identification label whenever you contact an Authorised Service Centre.*

IMPORTANT *The example of the Declaration of Conformity is provided on the last pages of the manual.*

3.4 MAIN COMPONENTS (Fig.1)

- A. Chassis.
- B. Engine.
- C. Cutting means.
- D. Rear discharge guard.
- E. Side discharge guard (if equipped).
- F. Side discharge chute (if equipped).
- G. Grass catcher.
- H. Handle.
- I. Engine brake lever / cutting means.
- J. Drive engagement lever.

⚠ Strictly observe the indications and the safety regulations described in chap. 2..

4. ASSEMBLY

Certain components of the machine are not installed in the factory and have to be assembled after unpacking, following the instructions below.

⚠ Unpacking and completing the assembly should be done on a flat and stable surface, with enough space for moving the machine and its packaging.. Do not use the

machine until all the instructions provided in the "ASSEMBLY" section have been carried out.

4.1 UNPACKING (Fig.3.0)

1. Remove all the unassembled parts from the box.
2. Take out the machine and dispose of the box and packaging in compliance with local regulations.

4.2 HANDLE ASSEMBLY (Fig.4.A/B/C)

4.3 GRASS CATCHER ASSEMBLY (Fig.5,6,7)

5. CONTROLS

5.1 MANUAL START HANDGRIP (Fig.8.A)

5.2 PUSH-BUTTON ELECTRIC START COMMAND (Fig.8.B)

5.3 ENGINE BRAKE LEVER / CUTTING MEANS



OPC (Operator Presence Control) lever release: engine stop. (Fig.9.A)

5.4 DRIVE ON LEVER (Fig.9.B)



Transmission is active. (Fig.9.B)

IMPORTANT The engine must be started only with the drive OFF.

IMPORTANT Avoid moving the machine backwards when the drive is ON.

5.5 CUTTING HEIGHT ADJUSTMENT

⚠ Do this when the cutting means is stationary.

- Adjustment (See Fig.10.A)

6. USING THE MACHINE

IMPORTANT For instructions on the engine and the battery (if equipped), refer to the corresponding manuals.

6.1 PRELIMINARY PROCEDURES

Place the machine in a stable horizontal position on the ground.

6.1.1 Filling with oil and fuel

IMPORTANT The machine is supplied without engine oil and without fuel.

Before using the machine, refuel and top/up with oil; refer to the owner's manual of the engine at par. 7.2.1/7.2.2.

6.1.2 Preparing the machine before starting work

NOTE This machine can be used to mow lawns in various ways;

a. Preparation for grass cutting and collection in the grass catcher:

1. For side discharge models: make sure that the guard (Fig. 11.A) is lowered and locked by the safety lever (Fig. 11.B).

2. Insert the grass catcher (Fig.11.C).

b. Preparation for grass cutting and rear grass discharge on the ground:

1. Lift the rear discharge guard (Fig.12.A) and fit the pin (Fig.12.B).
 2. For models with side discharge: make sure that the guard (Fig. 12.C) is lowered and locked by the safety lever (Fig. 12.D).
- To remove the pin: see Fig.12.A/B.

c. Preparation for grass mowing and chopping (mulching function):

Lift the rear discharge guard (Fig.13.A) and fit the chute cap (Fig.13.B) in the discharge opening, keeping it slightly tilted to the right. Fasten it by fitting the two pins (Fig.13.B.1) into the holes provided until clicks into place.

For models with side discharge: make sure that the side discharge guard (Fig. 13.C/D) is lowered and locked by the safety lever (Fig. 13.D).

d. Preparation for grass cutting and side discharge on the ground:

1. Lift the rear discharge guard (Fig.14.A) and fit the chute cap (Fig.14.B) in the discharge opening, keeping it slightly tilted to the right. Fasten it by fitting the two pins (Fig.14.B.1) into the holes provided until clicks into place.
2. Slightly push the safety lever (Fig.14.C) and lift the side discharge guard (Fig.14.D).
3. Insert the side discharge chute (Fig.14.E).
4. Close the side discharge guard (Fig.14.D) so as to lock the side discharge chute (Fig.14.E).

To remove the side discharge chute:

5. Slightly push the safety lever (Fig.14.C) and lift the side discharge guard (Fig.14.D).
6. Release the side discharge chute (Fig.14.E).

6.1.3 Handle inclination adjustment (Fig.15/16)

⚠ Do this when the cutting means is stationary.

6.2 SAFETY CHECKS

⚠ Always carry out the safety checks before use.

6.2.1 Safety check before every use

- Check the integrity and the correct mounting of all components of the machine;
- make sure that all fastening devices are correctly tightened;
- keep all surfaces of the machine clean and dry.

6.2.2 Machine operating test

Action	Result
<ol style="list-style-type: none"> 1. Start the machine (par. 6.3). 2. Release the engine brake lever / cutting means. 	<ol style="list-style-type: none"> 1. The cutting means should move. 2. The levers should return automatically and rapidly to the neutral position, the motor must switch off and the cutting means must stop within a few seconds.
<ol style="list-style-type: none"> 1. Start the machine (par. 6.3). 2. Operate the drive lever. 3. Disengage the drive lever. 	<ol style="list-style-type: none"> 2. The wheels should move the machine forward. 3. The wheels should stop and the machine stops moving forward.
Test driving	No abnormal vibrations. No abnormal sound.

! *If any of the results fail to match the indications provided in the tables, do not use the machine! Contact an Authorised Service Centre to have it checked and repaired if necessary.*

6.3 START-UP

NOTE *Start up the machine on a flat surface without obstacles or high grass.*

6.3.1 Models with manual start handgrip (Fig.17.A/B)

NOTE *The engine brake lever / cutting means must be kept pulled to prevent the engine stop.*

6.3.2 Models with push-button electric start command (Fig.18.A/B/C/D/E)

Insert the supplied battery in the relative engine compartment (Fig.18.A); (follow the instructions provided in the engine manual).

An engine with non-removable built-in battery is included on some models (Fig.18.B).

NOTE *The engine brake / cutting means lever must be kept pulled to prevent the engine stop.*

6.4 OPERATION

IMPORTANT *When working, always keep a safe distance from the cutting means, given by the length of the handle.*

6.4.1 Grass cutting

1. Start moving forward and mowing the grass area.
2. Adjust the speed and cutting height (par. 5.5) in relation to lawn conditions (grass height, density and humidity) and the amount of grass to be cut.

3. It is recommended to always cut at the same height and in the two directions (Fig.20).

• For mulching or rear grass discharge:

- Never cut more than one third of the total grass height per single pass (Fig.19).
- Keep the chassis clean (par. 7.4.2).

• For side discharge: avoid discharging the cut grass from the side of the lawn yet to be mown.

6.4.2 Grass catcher emptying

• For grass catcher with contents indicator device:



Lifted = empty.



Lowered = full*.

• that the grass catcher is full and must be emptied.

To remove and empty the grass catcher:

1. Wait until the cutting means stops (Fig.21.A);
2. remove the grass catcher (Fig.21.B/C/D).

6.5 STOP (Fig.22.A)

! *After having stopped the machine, it will take a few seconds for the cutting means to stop.*

! *Do not touch the engine after stopping it. Risk of burns.*

IMPORTANT *Always stop the machine.*

- When moving between work areas.
- When driving on grass free surfaces.
- Close to an obstacle.
- Before adjusting the cutting height.
- Any time the grass catcher is removed or refitted.
- Any time the side discharge chute (if available) is removed or refitted.

6.6 AFTER USE (Fig.23.A/B/C/D)

1. Clean (par. 7.4).
2. If necessary, replace damaged components and tighten any slack screws and bolts.

IMPORTANT *Any time the machine is inactive or unattended:*

- Remove the spark plug cap (for models with manual start handgrip)(Fig.23.B/C).
- Press the tab and remove the permission key (for models with push-button electric start) (Fig.23.D).

7. MAINTENANCE

7.1 GENERAL INFORMATION

! *The safety regulations to follow are described in chap. 2. Strictly comply with these instructions to avoid serious risks or hazards:*

! *Before commencing any inspections, cleaning or maintenance/adjustments on the machine:*

- Stop the machine.
- Make sure that any moving component has stopped.
- Wait until the engine cools down.
- Remove the spark plug cap (Fig. 23.B).
- Remove the key (Fig.23.D) (for models with push-button electric start).
- Read the relevant instructions.

- Use suitable clothing, protective gloves and goggles.

7.2 ROUTINE MAINTENANCE

- The frequency and types of maintenance are summarised in the "Maintenance Table" (chapter 10).

IMPORTANT Any maintenance and adjustment operations not described in this manual must be carried out by your Authorised Service Centre.

7.2.1 Refuelling

Place the machine in a stable horizontal position on the ground.

⚠ Refuelling must be performed with the machine stopped and with the spark plug cap removed.

Refuel according to the methods and cautionary measures indicated in the owner's manual of the engine.

⚠ Machines with vertical storage possibility (chap. 8.1) have a tank that contains a fuel level indicator. Do not fill the tank above this level indicator (Fig.24.A).

IMPORTANT Clean any trace of leaked fuel. The warranty does not cover damages caused by the fuel to the plastic parts.

NOTE Fuel is perishable and should not remain in the tank for more than 30 days.

7.2.2 Check/top-up engine oil

Check/top-up the engine oil according to the methods and cautionary measures indicated in the owner's manual of the engine.

For a correct operation of the machine, regularly replace the engine oil, according to the indications in the owner's manual of the engine.

Make sure to have restored the oil level before using the machine again.

7.3 OCCASIONAL MAINTENANCE

7.3.1 Cutting means

⚠ All operations concerning cutting means (disassembly, sharpening, balancing, repair, reassembly and / or replacement) must be performed at an Authorised Service Centre.

⚠ Make sure damaged, misshapen or worn cutting means are replaced, together with the securing screws to preserve balance.

IMPORTANT Always use original cutting means bearing the code indicated in the "Technical Data" table.

7.4 CLEANING

Clean thoroughly following the instructions below every time it is used.

7.4.1 Cleaning the machine

- Always make sure the air intakes are free of debris.
- Do not use aggressive liquids to clean the chassis.
- To reduce the risk of fire, keep the engine free of grass, leaves residues or excessive grease.
- Clean the machine after each cutting work.

IMPORTANT Never use high pressure water

7.4.2 Cleaning the cutting means assembly

- Remove grass debris and mud accumulated inside the chassis.

Models without washing connection

- If accessing the lower part is necessary, only tilt the machine on the side of the oil cap, making sure that the machine is perfectly stable before performing any interventions.

- **For side discharge:** remove the discharge chute (if mounted - par. 6.1.2d.).

To wash the internal part of the cutting means assembly, proceed as follows (Fig.25.A/B/C):

1. always stay behind the handle of the lawn mower;
2. start the engine.

If the painting of the internal side of the chassis comes off, take immediate action, by retouching the painting with anti-rust paint.

7.4.3 Cleaning the grass catcher (Fig.26.A/B)

Clean the grass catcher and leave it to dry.

7.5 BATTERY

- The battery is supplied for the models with push-button electric start. For instructions regarding the battery life, recharging, storage and maintenance, follow the instructions in the instructions manual of the engine.

8. STORAGE

When the machine is to be stored away:

1. Start the engine outdoors and leave it running at idle until it stops in order to consume all the fuel left in the carburettor;
2. clean the machine thoroughly (par. 7.4);
3. check the integrity of the machine;
4. store the machine:
 - in a dry place;
 - protected from inclement weather;
 - in a place out of children's reach;
 - making sure that keys or tools used for maintenance are removed.

8.1 VERTICAL STORAGE

- If necessary, some models (see the Technical Data Table) can be stored vertically (Fig.27).

⚠ Do not store the machine upright with the tank filled above the lowest mark of the fuel level indicator (Fig.24.A).

Proceed as follows:

1. Remove the spark plug cap (Fig.23.B) or remove the key (Fig.23.D) or the battery (for models with push-button electric start command).
2. Move the cutting height to the second lower position (see chapter 5.5);
3. Carefully fold the handle in closed position and tighten the levers (Fig.27);
4. Put the machine in vertical position and carefully fold the handle in closed position and tighten the levers (Fig.27);

⚠ Store the machine so as to avoid risk in the event of accidental contact with people, children or animals.

⚠ **Do not attempt to store in vertical position machines that have not been designed for this purpose.**

9. HANDLING AND TRANSPORTATION

Whenever the machine is to be handled, raised, transported or tilted you must:

- Stop the machine (par.6.5) until the moving parts come to a complete halt.
- Remove the spark plug cap (Fig.23.B) or remove the key (Fig.23.D) or the battery (for models with push-button electric start command).
- Wear heavy work gloves.
- Hold the machine in the points offering a safe grip, taking into account the weight and its division.
- Use an appropriate number of people for the weight of the machine and the characteristics of the vehicle or the place where it must be placed or collected.
- Make sure that machine movements do not cause damage or injuries.

When transporting the machine on a vehicle or trailer, always:

- Use an access ramp of suitable strength, width and length.
- Load the machine with the motor switched off and pushed by an adequate number of people.
- Lower the cutting means assembly (par 5.5).
- Position it so that it cannot cause a hazard for anybody.
- Fasten firmly to the device of transport using ropes or chains to prevent it from tipping over causing damage and fuel leaks.

⚠ **Do not transport machines that can be stored in vertically in such an upright position.**

10. MAINTENANCE TABLE

Intervention	Frequency	Notes
MACHINE		
Check all fasteners ; Safety checks/check controls (including the Operator Presence Control handlebar); Check the rear/lateral discharge guards; Check the grass catcher bag and lateral discharge chute; Check the cutting means.	Before use	par. 6.2.2
General cleaning and inspection; Checking for any damage to the machine. If necessary, contact the authorised service centre.	After each use	par. 7.4
Replacing the cutting means	-	par. 7.3.1 ***
ENGINE		
Checking/topping up fuel level; Check/top-up engine oil	Before use	par. 6.1.1 / 7.2.1 * / 7.2.2 *
Air filter check and cleaning; Spark plug contacts check and cleaning; Spark plug replacement; Charging the battery	*	* / par. 7.5 *

* Refer to the engine manual. *** Operation to be performed at the first signs of any malfunction
 *** The operation must be carried out by your Dealer or a Authorised Service Centre

11. PROBLEM IDENTIFICATION

If problems persist after having performed the above operations, contact your dealer.

PROBLEM	PROBABLE CAUSE	SOLUTION
1. The engine does not start, does not keep running, operates irregularly or stops during operation	Incorrect starting procedure	Follow the instructions (see chap. 6.3).
	No oil or fuel in the engine.	Check the oil and fuel levels (see chap. 7.2.1 / 7.2.2).
	Dirty spark plug or incorrect electrode gap.	Check the spark plug (refer to the engine manual).
	Clogged air filter.	Clean and / or replace the filter (Refer to the engine manual).
	Carburation fault.	Contact your Authorised Service Centre
	The floating device may be blocked.	Refer to the engine manual and contact an Authorised Service Centre.
2. Engine flooding.	The manual start handgrip has been operated repeatedly with the starter engaged.	Refer to the engine manual.
	The manual start handgrip has been operated repeatedly with the spark plug cap removed.	Insert the spark plug cap and try to start the engine. (Refer to the engine manual).
3. The cut grass is no longer collected in the grass catcher.	The cutting means hit a foreign object.	Stop the engine and remove the spark plug cap. Check for any damage and contact an authorised service centre (section 7.3.1).
	The inner part of the chassis is soiled.	Clean the internal part of the chassis (par. 7.4.2).
4. Mowing is difficult.	The cutting means is not in good condition	Contact the Authorised Service Centre for the sharpening or replacement of the cutting means.
5. Excessive noise and/or vibration is experienced whilst working.	Damaged or loose parts The pin on the cutting means is out of its seat.	Stop the machine and disconnect the spark plug cable (Fig. 23.B). Check for any damage or loose parts. All checks, replacements or repairs should be carried out by your authorised service centre.
	Cutting means fittings are loose or the cutting means is damaged.	Stop the engine and remove the spark plug cap (Fig.23.B). Contact an authorised service centre (section 7.3.1).

12. ATTACHMENTS ON REQUEST

12.1 MULCHING KIT (Fig.28)

Finely chops the cut grass and leaves it on the lawn.

Buy with confidence
For after sales help and advice please call

SERVICE LINK
servicelink.org.uk

HELPLINE

0800 121 6585

1800 806 149 ROI

This product is supported by Service Link. If you have been unable to find the information you require above please call the Service Link helpline. Here you will find 1-2-1 help and advice from garden machinery repair specialists.

Service link



- > **What is Service Link?** Service Link is an aftersales support website, online chat and advice helpline with a national network of garden machinery repair specialists.
- > **How can we help you?** Here at Service Link we can help with all your trouble shooting, warranty, parts and service needs. Call us and speak to one of our advisors and if required, visit one of our 450 centres across the UK and Ireland.
- > **How can you contact us?** If in the unlikely event that this product does require our help please visit the Service Link website at www.servicelink.org.uk or alternatively contact the helpline on 0800 121 6585 in the UK or 1800806149 in ROI.

CERTIFICATE OF CONFORMITY

A certificate of conformity is enclosed with the documentation as a separate document.
An EXAMPLE is shown below.

DICHIARAZIONE CE DI CONFORMITÀ (Instruttore Originale)
(Direttiva Macchine 2006/42/CE, Allegato I, parte A)

1. La Società: ST, S.p.A. - Via del Lavoro, 6 - 31033 Castelfranco Veneto (TV) - Italy
2. Dichiaro sotto la propria responsabilità, che la macchina: Tosaerba con conduttore a piedi / taglio erba

a) Tipo_Modello Base	CEP 1354
b) Mese_Anno di costruzione	
c) Matricola	
d) Motore	a scoppio

3. E' conforme alle specifiche della direttiva:

- MD: 2006/42/CE
- CE Certificazione: Non Applicable
- E) Esame CE del tipo: Non Applicable
- OND: 2000/14/EC, ANNEX VI - 2005/88/EC
- ENE Certificazione: N°0197 - TÜV Rheinland LGA Products GmbH
Tillystrasse 2, 90431 Nürnberg - Germany
- EMC: 2014/30/EU
- RoHS II: 2011/65/EU - 2015/863/EU

4. Riferimento alle Norme armonizzate:

EN ISO 5395-1:2013+A1:2018	EN ISO 5395-2:2013+A1:2018
EN ISO 5395-2:2013+A1:2018+A2:2017	EN IEC 63000:2018

g) Livello di potenza sonora misurato 96 dB(A)
h) Livello di potenza sonora garantito 96 dB(A)
i) Ampiezza di taglio 46 cm

h) Persona autorizzata a creare il Fascicolo Tecnico: ST, S.p.A.
Via del Lavoro, 6
31033 Castelfranco Veneto (TV) - Italia

i) Castelfranco V.to, 01.09.2021

CEO Striga Group
Sean Robinson

UK DECLARATION OF CONFORMITY (Original Instruction)
(Supply of Machinery (Safety) Regulations 2008, S.I. 2008 No. 1597, Annex II, part A)

1. The Company: ST, S.p.A. - Via del Lavoro, 6 - 31033 Castelfranco Veneto (TV) - Italy
2. Herby declares under its own responsibility that the machine: Tosaerba con conduttore a piedi / Grass cutting

a) Type_Model Base	CEP 1354
b) Month_Year of manufacture	
c) Serial Number	
d) Engine	Petrol

3. Conforms to the specifications of the directive:

- S.I. 2008 No. 1597 - Supply of Machinery (Safety) Regulations 2008
- CE Approval Body: Not Applicable
- Type of Declaration: Manufacturer's Declaration
- CE Marking: 0117101 - S.I. 2001/18/EC - Module 9 - Noise Emission in the Environment by Equipment for Use Outdoors Regulation
- Approved Body: N° 8500 - JcP Certification Ltd
2 Parkfield Street, Rusholme, Manchester, M14 4PN
- EMC: 2016/1091 - Electromagnetic Compatibility Regulations 2016
- RoHS: 2012/3032 - The Restriction of the Use of Certain Hazardous Substances in Electrical and Electronic Equipment Regulation 2012

4. Reference to Designated Standards:

BS EN ISO 5395-1:2013+A1:2018	BS EN ISO 5395-2:2013+A1:2018
BS EN ISO 5395-2:2013+A1:2018+A2:2017	BS EN IEC 63000:2018

g) Sound power level, measured: 96 dB(A)
h) Sound power level, guaranteed: 96 dB(A)
i) Cutting width: 46 cm

h) Person authorised to create the Technical File: ST, S.p.A.
Via del Lavoro, 6
31033 Castelfranco Veneto (TV) - Italia

i) Castelfranco V.to, 01.09.2021

CEO Striga Group
Sean Robinson

Guarantee

Congratulations on the purchase of your Mountfield lawnmower. This product has been manufactured to the highest quality standards and is guaranteed for domestic use against faulty parts or manufacture for a period of 5 years subject to it being serviced by an authorised Mountfield service centre before the end of the second year from the date of purchase, and annually thereafter. Failure to keep the machine serviced at these intervals will result in the warranty reverting to a standard 2-year period.

Please note that if the machine is used commercially the guarantee period is 90 days from the date of purchase. If you experience any problem with your Mountfield lawnmower, please call our technical helpline on 0800 121 6585, or ROI 1800 806149 and our operators will endeavour to solve your problem. In the event your problem cannot be resolved over the phone the operator will refer you to one of our local authorised service dealers.

This guarantee is subject to the following terms.

- This guarantee is not transferable. An original proof of purchase will be required in the event of a claim.
- The product must be serviced at the recommended intervals by an authorised service dealer. A service schedule should be kept including invoicing and receipts. Please phone 0800 121 6585, or ROI 1800 806149 to locate your nearest Mountfield service dealer or visit www.servicelink.org.uk. Service procedures (for example carb cleaning, draining engine oil, blade sharpening, belt and cable adjustment) and consumable parts that require periodic replacement (for example the spark plug, air filter and oil), are not covered under this guarantee. This also applies to parts subject to fair wear and tear (for example wheels, bearings, starter cord, cables, belts and blade).
- Delivery and collection of the machine is your responsibility and not covered under this guarantee.
- The guarantee does not cover any breakages or damage that are a result of the following: misuse, alteration, improper assembly or adjustment, neglect or accident.
- Expenses and costs incurred from loss of utility will not be compensated.
- The guarantee does not cover machines that are transported outside of the UK & Eire.
- Where a mower is fitted with an engine not manufactured by Mountfield, the engine manufacturer guarantees the engine.

This guarantee is in addition to and does not detract from your contractual rights under statute or common law.



INDICE


1. GENERALITÀ	1
2. NORME DI SICUREZZA	1
3. CONOSCERE LA MACCHINA	3
4. MONTAGGIO	4
5. COMANDI DI CONTROLLO	4
6. USO DELLA MACCHINA	4
7. MANUTENZIONE	6
8. RIMESSAGGIO	6
9. MOVIMENTAZIONE E TRASPORTO	7
10. TABELLA MANUTENZIONI	7
11. IDENTIFICAZIONE INCONVENIENTI	7
12. ACCESSORI A RICHIESTA	8

1. GENERALITÀ

1.1 COME LEGGERE IL MANUALE

Nel testo del manuale, alcuni paragrafi contengono informazioni di particolare importanza, ai fini della sicurezza o del funzionamento, sono evidenziati in modo diverso, secondo questo criterio:

NOTA OPPURE IMPORTANTE fornisce precisazioni o altri elementi a quanto già precedentemente indicato, nell'intento di non danneggiare la macchina, o causare danni.

Il simbolo  evidenzia un pericolo. Il mancato rispetto dell'avvertenza comporta possibilità di lesioni personali o a terzi e/o danni.

.....
 * I paragrafi evidenziati con un riquadro con bordo a punti *
 * grigio indicano caratteristiche opzionali non presenti in *
 * tutti i modelli documentati in questo manuale. Verificare *
 * se la caratteristica è presente nel proprio modello. *
 *

Tutte le indicazioni "anteriore", "posteriore", "destra" e "sinistra" si intendono riferite alla posizione dell'operatore alla guida.

1.2 RIFERIMENTI

1.2.1 Figure

Le figure in queste istruzioni per l'uso sono numerate 1, 2, 3, e così via.

I componenti indicati nelle figure sono contrassegnati con le lettere A, B, C, e così via.

Un riferimento al componente C nella figura 2 viene indicato con la dicitura: "Vedere fig. 2.C" o semplicemente "(Fig. 2.C)".


Le figure sono indicative. I pezzi effettivi possono variare rispetto a quelli raffigurati.

1.2.2 Titoli

Il manuale è diviso in capitoli e paragrafi. Il titolo del paragrafo "2.1 Addestramento" è un sottotitolo di "2. Norme di sicurezza". I riferimenti a titoli o paragrafi sono segnalati con l'abbreviazione cap. o par. e il numero relativo. Esempio: "cap. 2" o "par. 2.1"

2. NORME DI SICUREZZA

2.1 ADDESTRAMENTO

 **Prendere familiarità con i comandi e con un uso appropriato della macchina. Imparare ad arrestare rapidamente il motore. L'inservanza delle avvertenze e delle istruzioni può causare incendi e/o gravi lesioni.**

- Non permettere mai che la macchina venga utilizzata da bambini o da persone che non abbiano la necessaria dimestichezza con le istruzioni. Le leggi locali possono fissare un'età minima per l'utilizzatore.
- Non utilizzare mai la macchina se l'utilizzatore è in condizione di stanchezza o malessere, oppure ha assunto farmaci, droghe, alcool o sostanze nocive alle sue capacità di riflessi e attenzione.
- Non trasportare bambini o altri passeggeri.
- Ricordare che l'operatore o utilizzatore è responsabile di incidenti e imprevisti che si possono verificare ad altre persone o alle loro proprietà. Rientra nella responsabilità dell'utilizzatore la valutazione dei rischi potenziali del terreno su cui si deve lavorare, nonché prendere tutte le precauzioni necessarie per garantire la sua e altrui sicurezza, in particolare sui pendii, terreni accidentati, scivolosi o instabili.
- Nel caso si voglia cedere o prestare ad altri la macchina, assicurarsi che l'utilizzatore prenda visione delle istruzioni d'uso contenute nel presente manuale.

2.2 OPERAZIONI PRELIMINARI


Dispositivi protezione individuale (DPI)

- Indossare indumenti adeguati, calzature da lavoro resistenti con soles antiscivolo, e pantaloni lunghi. Non azionare la macchina a piedi scalzi o con sandali aperti. Indossare cuffie di protezione dell'udito.
- L'impiego di protezioni acustiche può ridurre la capacità di sentire eventuali avvertenze (grida o allarmi). Prestare la massima attenzione a quanto accade attorno all'area di lavoro.
- Indossare guanti di lavoro in tutte le situazioni di rischio per le mani.
- Non indossare sciarpe, camici, collane, braccialetti, indumenti con parti svolazzanti, o provvisti di lacci o cravatte e comunque accessori pendenti o larghi che potrebbero impigliarsi nella macchina o in oggetti e materiali presenti sul luogo di lavoro.
- Raccogliere adeguatamente i capelli lunghi.

Area di lavoro / Macchina

- Ispezionare a fondo tutta l'area di lavoro e togliere tutto ciò che potrebbe venire espulso dalla macchina o danneggiare il dispositivo di taglio/organi rotanti (sassi, rami, fili di ferro, ossi, ecc.).

Motori a scoppio: carburante

-  **PERICOLO!** Il carburante è altamente infiammabile.
- Conservare il carburante in appositi contenitori omologati per tale utilizzo, in luoghi sicuri, lontano da fonti di calore o fiamme libere.
- Lasciare i contenitori liberi da residui d'erba foglie e grasso eccessivo.
- Non lasciare i contenitori alla portata dei bambini.
- Non fumare durante il rifornimento o il rabbocco di carburante e ogni volta che si maneggia il carburante.
- Rabboccare il carburante utilizzando un imbuto, solo all'aperto.
- Evitare di inalare vapori del carburante.
- Non aggiungere carburante o togliere il tappo del serbatoio quando il motore è in funzione o è caldo.
- Aprire lentamente il tappo del serbatoio lasciando scaricare gradualmente la pressione interna.

- Non avvicinare fiamme alla bocca del serbatoio per verificare il contenuto.
- Se fuoriesce del carburante, non avviare il motore, ma allontanare la macchina dall'area nella quale il carburante è stato versato, ed evitare di creare possibilità di incendio, fintanto che il carburante non sia evaporato ed i vapori del carburante non si siano dissolti.
- Pulire immediatamente ogni traccia di carburante versata sulla macchina o sul terreno.
- Rimettere sempre e serrare bene i tappi del serbatoio e del contenitore del carburante.
- Non riavviare la macchina sul luogo ove è stato operato il rifornimento; l'avviamento del motore deve avvenire ad una distanza di almeno 3 metri dal luogo dove si è effettuato il rifornimento di carburante.
- Evitare il contatto del carburante con gli indumenti e, in tal caso, cambiarsi gli indumenti prima di avviare il motore.

2.3 DURANTE L'UTILIZZO

Area di Lavoro

- Non azionare il motore in spazi chiusi, dove possono accumularsi pericolosi fumi di monossido di carbonio. Le operazioni di avviamento devono avvenire all'aperto o in luogo ben aerato. Ricordare sempre che i gas di scarico sono tossici.
- Durante l'avviamento della macchina non indirizzare il silenziatore e quindi i gas di scarico verso materiali infiammabili.
- Non usare la macchina in ambienti a rischio di esplosione, in presenza di liquidi infiammabili, gas o polvere. Gli utensili elettrici generano scintille che possono incendiare la polvere o i vapori.
- Lavorare solamente alla luce del giorno o con buona luce artificiale e in condizioni di buona visibilità.
- Allontanare persone, bambini e animali dall'area di lavoro. È necessario che i bambini vengano sorvegliati da un altro adulto.
- Evitare di lavorare nell'erba bagnata, sotto la pioggia e con rischio di temporali, specialmente con probabilità di lampi.
- Prestare particolare attenzione alle irregolarità del terreno (dossi, cunette), ai pendii, ai pericoli nascosti e alla presenza di eventuali ostacoli che potrebbero limitare la visibilità.
- Prestare molta attenzione in prossimità di dirupi, fossi o argini. La macchina si può ribaltare se una ruota oltrepassa un bordo o se il bordo cede.
- Lavorare nel senso trasversale del pendio e mai nel senso salita/discesa, facendo molta attenzione ai cambi di direzione, accertandosi del proprio punto di appoggio e assicurandosi che le ruote non incontrino ostacoli (sassi, rami, radici, ecc) che potrebbero causare scivolamento laterale o perdita di controllo della macchina.
- Quando si utilizza la macchina vicino alla strada, fare attenzione al traffico.
- Per evitare il rischio di incendio, non lasciare la macchina a motore caldo fra le foglie, l'erba secca, o altro materiale infiammabile.

Comportamenti

- Prestare attenzione quando si procede in retromarcia o all'indietro. Guardare dietro di sé prima e durante la retromarcia per assicurarsi che non vi siano ostacoli.
- Non correre mai, ma camminare.
- Evitare di farsi tirare dal raserba.
- Tenere sempre mani e piedi lontani dal dispositivo di taglio sia durante l'avviamento sia durante l'utilizzo della macchina.
- Attenzione: l'elemento di taglio continua a ruotare per qualche secondo anche dopo il suo disinnesto o dopo lo spegnimento del motore.
- Stare sempre lontani dall'apertura di scarico.

- Non toccare le parti del motore che, durante l'uso, si riscaldano. Rischio di ustioni.

⚠ In caso di rotture o incidenti durante il lavoro, arrestare immediatamente il motore e allontanare la macchina in modo da non provocare ulteriori danni; nel caso di incidenti con lesioni personali o a terzi, attivare immediatamente le procedure di pronto soccorso più adeguate alla situazione in atto e rivolgersi ad una Struttura Sanitaria per le cure necessarie. Rimuovere accuratamente eventuali detriti che potrebbero arrecare danni o lesioni a persone o a animali qualora rimanesero inosservati.

Limitazioni all'uso

- Non utilizzare mai la macchina con protezioni danneggiate, mancanti o non correttamente posizionate (sacco di raccolta, protezione di scarico laterale, protezione di scarico posteriore).
- Non utilizzare la macchina se gli accessori/utensili non sono installati nei punti previsti.
- Non disinnescire, disattivare, rimuovere o manomettere i sistemi di sicurezza/microinterruttori presenti.
- Non alterare le regolazioni del motore, né portarlo a sovraregime. Se il motore viene fatto funzionare ad un numero di giri eccessivo, il rischio di lesioni personali aumenta.
- Non sottoporre la macchina a sforzi eccessivi e non usare una macchina piccola per eseguire lavori pesanti; l'uso di una macchina adeguata riduce i rischi e migliora la qualità del lavoro.

2.4 MANUTENZIONE, RIMESSAGGIO E TRASPORTO

Effettuare una regolare manutenzione ed un corretto rimessaggio preserva la sicurezza della macchina ed il livello delle sue prestazioni.

Manutenzione

- Non usare mai la macchina con parti usurate o danneggiate. I pezzi guasti o deteriorati devono essere sostituiti e mai riparati.
- Per ridurre il rischio di incendi, controllare regolarmente che non vi siano perdite di olio e/o carburante.
- Durante le operazioni di regolazione della macchina, prestare attenzione ad evitare che le dita rimangano intrappolate fra il dispositivo di taglio in movimento e le parti fisse della macchina.

⚠ Il livello di rumorosità e di vibrazioni riportato nelle presenti istruzioni, sono valori massimi di utilizzo della macchina. L'impiego di un elemento di taglio sbilanciato, l'eccessiva velocità di movimento, l'assenza di manutenzione influiscono in modo significativo nelle emissioni sonore e nelle vibrazioni. Di conseguenza è necessario adottare delle misure preventive atte ad eliminare possibili danni dovuti ad un rumore elevato e alle sollecitazioni da vibrazioni; provvedere alla manutenzione della macchina, indossare cuffie antirumore, effettuare delle pause durante il lavoro.

Rimessaggio

- Non riporre la macchina con del carburante nel serbatoio in un locale dove i vapori del carburante potrebbero raggiungere una fiamma, una scintilla o una forte fonte di calore.
- Per ridurre il rischio di incendio, non lasciare contenitori con i materiali di risulta all'interno di un locale.

2.5 TUTELA AMBIENTALE

La tutela dell'ambiente deve essere un aspetto rilevante e prioritario nell'uso della macchina, a beneficio della convivenza civile e dell'ambiente in cui viviamo.

- Evitare di essere un elemento di disturbo nei confronti del vicinato. Utilizzare la macchina solamente in orari ragionevoli (non al mattino presto o alla sera tardi quando le persone potrebbero essere disturbate).
- Seguire scrupolosamente le norme locali per lo smaltimento di imballi, parti deteriorate o qualsiasi elemento a forte impatto ambientale; questi rifiuti non devono essere gettati nella spazzatura, ma devono essere separati e conferiti agli appositi centri di raccolta, che provvederanno al riciclaggio dei materiali.
- Seguire scrupolosamente le norme locali per lo smaltimento dei materiali di risulta.
- Al momento della messa fuori servizio, non abbandonare la macchina nell'ambiente, ma rivolgersi a un centro di raccolta, secondo le norme locali vigenti.

3. CONOSCERE LA MACCHINA

3.1 DESCRIZIONE MACCHINA E USO PREVISTO

Questa macchina è un tosaerba con conducente a piedi.

La macchina si compone essenzialmente di un motore, che aziona un dispositivo di taglio racchiuso in un carter, dotato di ruote e di un manico.

L'operatore è in grado di condurre la macchina e di azionare i comandi principali mantenendosi sempre dietro al manico, e quindi a distanza dal dispositivo di taglio rotante. L'allontanamento dell'operatore dalla macchina provoca l'arresto del motore e del dispositivo rotante entro alcuni secondi.

Uso previsto

Questa macchina è progettata e costruita per il taglio (e la raccolta) dell'erba in giardini e aree erbose, di estensione rapportata alla capacità di taglio, eseguita con la presenza di un operatore a piedi.

In generale questa macchina può:

1. Tagliare l'erba e raccoglierla nel sacco di raccolta.
2. Tagliare l'erba e scaricarla a terra dalla parte posteriore (se previsto).
3. Tagliare l'erba e scaricarla lateralmente (se previsto).
4. Tagliare l'erba, sminuzzarla e depositarla sul terreno (effetto "mulching" - se previsto).

L'utilizzo di particolari accessori, previsti dal Costruttore come equipaggiamento originale o acquistabili separatamente, permette di effettuare questo lavoro secondo varie modalità operative illustrate in questo manuale o nelle istruzioni che accompagnano i singoli accessori.

3.1.1 Uso improprio

Qualsiasi altro impiego, difforme da quelli citati, può rivelarsi pericoloso e causare danni a persone e/o cose.

Rientrano nell'uso improprio (come esempio, ma non solo):

- trasportare sulla macchina altre persone, bambini o animali poiché potrebbero cadere e procurarsi lesioni gravi o pregiudicare una guida sicura;
- farsi trasportare dalla macchina;
- usare la macchina per trainare o spingere carichi;
- azionare il dispositivo di taglio nei tratti non erbosi;
- utilizzare la macchina per la raccolta di foglie o detriti;
- usare la macchina per regolarizzare siepi, o per il taglio di vegetazione di tipo non erboso;
- utilizzare la macchina in più di una persona.

IMPORTANTE *L'uso improprio della macchina comporta il decadimento della garanzia e il declino di ogni responsabilità del Costruttore, riversando sull'utilizzatore gli oneri derivanti da danni o lesioni proprie o a terzi.*

3.1.2 Tipologia di utente

Questa macchina è destinata all'utilizzo da parte di consumatori, cioè operatori non professionisti.

È destinata ad un "uso hobbistico".

IMPORTANTE *La macchina dev'essere utilizzata da un solo operatore.*

3.2 SEGNALETICA DI SICUREZZA

Sulla macchina compaiono vari simboli (Fig.2.0). La loro funzione è quella di ricordare all'operatore i comportamenti da seguire per utilizzarla con l'attenzione e la cautela necessari. Significato dei simboli:



Attenzione. Leggere le istruzioni prima di usare la macchina.



Avvertenza! Non introdurre mani o piedi all'interno dell'alloggiamento del dispositivo di taglio. Scollegare il cappuccio della candela e leggere le istruzioni prima di effettuare qualsiasi operazione di manutenzione o riparazione.



Pericolo! Rischio di espulsione di oggetti. Tenere le persone al di fuori dell'area di lavoro, durante l'uso.



Pericolo! Rischio di tagli. Dispositivo di taglio in movimento. Non introdurre mani o piedi all'interno dell'alloggiamento del dispositivo di taglio.



Attenzione. Al dispositivo di taglio: il dispositivo di taglio continua a ruotare dopo lo spegnimento del motore. Togliere la spina dall'alimentazione prima di procedere alla manutenzione o se il cavo è danneggiato. (Solo per rasaerba elettrici con alimentazione a rete.)



Attenzione. Tenere il cavo di alimentazione lontano dal dispositivo di taglio. (Solo per rasaerba elettrici con alimentazione a rete.)

IMPORTANTE *Le etichette adesive rovinate o diventate illeggibili devono essere sostituite. Richiedere le nuove etichette al proprio centro di assistenza autorizzato.*

3.3 ETICHETTA DI IDENTIFICAZIONE

L'etichetta di identificazione riporta i seguenti dati (Fig.1.0).

1. Livello potenza sonora.
2. Marchio di conformità CE.
3. Anno di fabbricazione.
4. Tipo di macchina.
5. Numero di matricola.
6. Nome e indirizzo del Costruttore.
7. Codice articolo.
8. Potenza nominale e velocità massima di funzionamento motore.
9. Massa della macchina con serbatoio vuoto in kg.

Trascrivere i dati di identificazione della macchina negli appositi spazi dell'etichetta riportata nel retro della copertina.

IMPORTANTE *Utilizzare i dati di identificazione riportati sull'etichetta di identificazione prodotto ogni volta che si contatta l'officina autorizzata.*

IMPORTANTE L'esempio della dichiarazione di conformità si trova nelle ultime pagine del manuale.

3.4 COMPONENTI PRINCIPALI (Fig.1)

- A. Chassis.
- B. Motore.
- C. Dispositivo di taglio.
- D. Protezione di scarico posteriore.
- E. Protezione di scarico laterale (se previsto).
- F. Deflettore di scarico laterale (se previsto).
- G. Sacco di raccolta.
- H. Manico.
- I. Leva freno motore / dispositivo di taglio.
- J. Leva innesto trazione.

⚠ Rispettare scrupolosamente le indicazioni e le norme di sicurezza descritte al cap. 2..

4. MONTAGGIO

Alcuni componenti della macchina non sono forniti assemblati ma devono essere montati dopo la rimozione dall'imballaggio, seguendo le istruzioni seguenti.

⚠ Il disimballaggio e il montaggio devono essere effettuati su una superficie piana e solida, con spazio sufficiente alla movimentazione della macchina e degli imballi. Non utilizzare la macchina prima di aver terminato le indicazioni della sezione "MONTAGGIO".

4.1 DISIMBALLAGGIO (Fig.3.0)

1. Estrarre dalla scatola tutti i componenti non montati.
2. Estrarre la macchina e smaltire la scatola e gli imballi nel rispetto delle normative locali.

4.2 MONTAGGIO DEL MANICO (Fig.4.A/B/C)

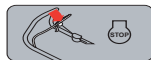
4.3 MONTAGGIO DEL SACCO (Fig.5.6,7)

5. COMANDI DI CONTROLLO

5.1 IMPUGNATURA DI AVVIAMENTO MANUALE (Fig.8.A)

5.2 COMANDO DI AVVIAMENTO ELETTRICO A PULSANTE (Fig.8.B)

5.3 LEVA FRENO MOTORE / DISPOSITIVO DI TAGLIO (Fig.9.A)



Leva OPC (leva Presenza operatore) è rilasciata: motore si ferma. (Fig.9.A)

5.4 LEVA INNESTO TRAZIONE (Fig.9.B)



La trasmissione è attiva. (Fig.9.B)

IMPORTANTE L'avviamento del motore deve avvenire sempre con la trazione disinnestata.

IMPORTANTE Evitare di tirare all'indietro la macchina con la trazione innestata.

5.5 REGOLAZIONE DELL'ALTEZZA DI TAGLIO

⚠ Eseguire l'operazione a dispositivo di taglio fermo.

- Regolazione (Vedi Fig.10.A)

6. USO DELLA MACCHINA

IMPORTANTE Per le istruzioni riguardanti il motore e la batteria (se prevista), consultare i relativi libretti.

6.1 OPERAZIONI PRELIMINARI

Mettere la macchina in posizione orizzontale e ben appoggiata sul terreno.

6.1.1 Rifornamento di olio e benzina

IMPORTANTE La macchina viene fornita priva di olio motore e carburante.

Prima di utilizzare la macchina per la prima volta dopo l'acquisto, procedere al rifornimento di carburante e al rabbocco di olio secondo le modalità e precauzioni indicate nel manuale di Istruzioni del motore e ai par. 7.2.1/7.2.2.

Prima di ogni utilizzo

Verificare la presenza di carburante ed il livello dell'olio seguendo le indicazioni contenute nel manuale di Istruzioni del motore e nei par. 7.2.1/7.2.2.

6.1.2 Predisposizione della macchina al lavoro

NOTA Questa macchina permette di effettuare la rasatura del prato in diverse modalità.

a. Predisposizione per il taglio e la raccolta dell'erba nel sacco di raccolta:

1. Nei modelli con scarico laterale: accertarsi che la protezione (Fig.11.A) sia abbassata e bloccata dalla leva di sicurezza (Fig.11.B).
2. Inserire il sacco di raccolta (Fig.11.C).

b. Predisposizione per il taglio e lo scarico posteriore a terra dell'erba:

1. Sollevare la protezione di scarico posteriore (Fig.12.A) e montare il piolino (Fig.12.B).
 2. Nei modelli con possibilità di scarico laterale: accertarsi che la protezione (Fig.12.C) sia abbassata e bloccata dalla leva di sicurezza (Fig.12.D).
- Per rimuovere il piolino: vedi Fig.12.A/B.

c. Predisposizione per il taglio e la sminuzzatura dell'erba (funzione "mulching"):

Sollevare la protezione di scarico posteriore (Fig.13.A) e introdurre il tappo deflettore (Fig.13.B) nell'apertura di scarico tenendolo leggermente inclinato verso destra; quindi fissarlo inserendo i due perni (Fig.13.B.1) nei fori previsti fino a provocare lo scatto.

Nei modelli con possibilità di scarico laterale: accertarsi che la protezione di scarico laterale (Fig.13.C/D) sia abbassata e bloccata dalla leva di sicurezza (Fig.13.D).

d. Predisposizione per il taglio e lo scarico laterale a terra dell'erba:

1. Sollevare la protezione di scarico posteriore (Fig.14.A) e introdurre il tappo deflettore (Fig.14.B) nell'apertura di scarico tenendolo leggermente inclinato verso destra; quindi fissarlo inserendo i due perni (Fig.14.B.1) nei fori previsti fino a provocare lo scatto.
2. Spingere leggermente la leva di sicurezza (Fig.14.C) e sollevare la protezione di scarico laterale (Fig.14.D).
3. Inserire il deflettore di scarico laterale (Fig.14.E).
4. Richiudere la protezione di scarico laterale (Fig.14.D) in modo che il deflettore di scarico laterale (Fig.14.E) risulti bloccato.

Per rimuovere il deflettore di scarico laterale:

5. Spingere leggermente la leva di sicurezza (Fig.14.C) e sollevare la protezione di scarico laterale (Fig.14.D).
6. Sganciare il deflettore di scarico laterale (Fig.14.E).

6.1.3 Regolazione dell'inclinazione del manico (Fig.15/16)

 Eseguire l'operazione a dispositivo di taglio fermo.

6.2 CONTROLLI DI SICUREZZA


 Effettuare sempre i controlli di sicurezza prima dell'uso.

6.2.1 Controllo di sicurezza prima di ogni utilizzo

- Verificare l'integrità e il corretto montaggio di tutti i componenti della macchina;
- assicurarsi del corretto serraggio di tutti i dispositivi di fissaggio;
- mantenere pulita e asciutta ogni superficie della macchina.

6.2.2 Test di funzionamento della macchina

Azione	Risultato
<ol style="list-style-type: none">1. Avviare la macchina (par. 6.3).2. Rilasciare la leva freno motore / dispositivo di taglio.	<ol style="list-style-type: none">1. Il dispositivo di taglio deve muoversi.2. Le leve devono tornare automaticamente e rapidamente nella posizione neutra, il motore deve spegnersi e il dispositivo di taglio deve arrestarsi entro alcuni secondi.
<ol style="list-style-type: none">1. Avviare la macchina (par. 6.3).2. Azionare la leva trazione.3. Rilasciare la leva trazione.	<ol style="list-style-type: none">2. Le ruote fanno avanzare la macchina.3. Le ruote si arrestano e la macchina smette di avanzare.
Guida di prova	Nessuna vibrazione anomala. Nessun suono anomalo.

 Se uno qualsiasi dei risultati si discosta da quanto indicato nelle tabelle, non utilizzare la macchina! Rivol-

gersi ad un centro di assistenza per i controlli del caso e per la riparazione.

6.3 AVVIAMENTO

NOTA Effettuare l'avviamento su una superficie piana e priva di ostacoli o erba alta.

6.3.1 Modelli con impugnatura di avviamento manuale (Fig.17.A/B)

NOTA La leva freno motore / dispositivo di taglio deve essere mantenuta tirata per evitare l'arresto del motore.

6.3.2 Modelli con comando di avviamento elettrico a pulsante (Fig.18.A/B/C/D/E)

Inserire la batteria fornita nell'apposito vano presente sul motore (Fig.18.A); (seguire le istruzioni contenute nel manuale istruzioni del motore).

Su alcuni modelli è previsto un motore con batteria integrata non removibile ("Fig.18.B).

NOTA La leva freno motore / dispositivo di taglio deve essere mantenuta tirata per evitare l'arresto del motore.

6.4 LAVORO

IMPORTANTE Durante il lavoro mantenere sempre la distanza di sicurezza dal dispositivo di taglio, data dalla lunghezza del manico.

6.4.1 Taglio dell'erba

1. Iniziare l'avanzamento ed il taglio nella zona erbosa.
2. Adeguare la velocità di avanzamento e l'altezza di taglio (par. 5.5) alle condizioni del prato (altezza, densità e umidità dell'erba).
3. Si consiglia di effettuare i tagli sempre alla stessa altezza e nelle due direzioni (Fig.20).



Nel caso di "mulching" o scarico posteriore dell'erba:

- Non asportare mai più di un terzo dell'altezza totale dell'erba in una sola passata (Fig.19).
- Mantenere lo chassis sempre ben pulito (par. 7.4.2).

Nel caso di scarico laterale: evitare di scaricare l'erba tagliata dalla parte del prato ancora da tagliare.

6.4.2 Svuotamento del sacco di raccolta

Nel caso di sacco di raccolta con dispositivo segnalatore del contenuto:


 Alzato = vuoto.  Abbassato = pieno*.


*il sacco di raccolta si è riempito e occorre svuotarlo.

Per rimuovere e svuotare il sacco di raccolta:

1. Attendere l'arresto del dispositivo di taglio (Fig.21.A);
2. rimuovere il sacco di raccolta (Fig.21.B/C/D).

6.5 ARRESTO (Fig.22.A)

 Dopo aver arrestato la macchina, occorrono diversi secondi prima che il dispositivo di taglio si arresti.

 Non toccare il motore dopo lo spegnimento. Pericolo di ustioni.

IMPORTANTE Arrestare sempre la macchina:

- Durante gli spostamenti fra zone di lavoro.
- Nell'attraversamento di superfici non erbose.
- In prossimità di un ostacolo.
- Prima di regolare l'altezza di taglio.
- Ogni volta che si toglie o si rimonta il sacco di raccolta.
- Ogni volta che si toglie o si rimonta il deflettore di scarico laterale (se previsto).

6.6 DOPO L'UTILIZZO (Fig.23.A/B/C/D)

1. Effettuare la pulizia (par. 7.4).
2. Se necessario, sostituire i componenti danneggiati e serrare eventuali viti e bulloni allentati.

IMPORTANTE Ogni qualvolta si lasci la macchina inutilizzata o incustodita:

- Staccare il cappuccio della candela (nei modelli con impugnatura di avviamento manuale) (Fig.23.B/C).
- Premere la linguetta e rimuovere la chiave di consenso (nei modelli con avviamento elettrico a pulsante) (Fig.23.D).

7. MANUTENZIONE

7.1 GENERALITÀ

⚠ Le norme di sicurezza da seguire sono descritte al cap. 2. Rispettare scrupolosamente tali indicazioni per non incorrere in gravi rischi o pericoli:

⚠ Prima di effettuare qualsiasi controllo, pulizia o intervento di manutenzione/regolazione sulla macchina:

- Arrestare la macchina.
- Accertarsi dell'arresto di ogni componente in movimento.
- Attendere il raffreddamento del motore.
- Staccare il cappuccio della candela (Fig.23.B).
- Rimuovere la chiave (Fig.23.D) o la batteria (nei modelli con comando di avviamento elettrico a pulsante).
- Leggere le relative istruzioni.
- Indossare indumenti adeguati, guanti da lavoro e occhiali di protezione.

7.2 MANUTENZIONE ORDINARIA

- Le frequenze ed i tipi di intervento sono riassunti nella "Tabella manutenzioni" (cap.10).

IMPORTANTE Tutte le operazioni di manutenzione e di regolazione non descritte in questo manuale devono essere eseguite dal vostro Rivenditore o da un Centro specializzato.

7.2.1 Rifornimento di carburante

Mettere la macchina in posizione orizzontale e ben appoggiata sul terreno.

⚠ Il rifornimento di carburante deve avvenire a macchina arrestata e con il cappuccio della candela staccato.

Procedere al rifornimento di carburante secondo le modalità e precauzioni indicate nel manuale di Istruzioni del motore.

⚠ Le macchine con possibilità di rimessaggio verticale (cap. 8.1) hanno un serbatoio contenente un indicatore livello di carburante. Non riempire il serbatoio al di sopra del fondo dell'indicatore di livello (Fig.24.A).

IMPORTANTE Ripulire ogni traccia di benzina eventualmente versata. La garanzia non copre i danni causati dalla benzina alle parti plastiche.

NOTA Il carburante è deperibile e non deve rimanere nel serbatoio per un periodo superiore a 30 giorni.

7.2.2 Controllo / rabbocco olio motore

Procedere al controllo/rabbocco dell'olio motore secondo le modalità e precauzioni indicate nel manuale di Istruzioni del motore.

Per un corretto funzionamento della macchina, sostituire periodicamente l'olio del motore, secondo le indicazioni del Manuale di Istruzioni del motore.

Accertarsi di aver ripristinato il livello dell'olio prima di usare nuovamente la macchina.

7.3 MANUTENZIONE STRAORDINARIA

7.3.1 Dispositivo di taglio

⚠ Tutte le operazioni riguardanti i dispositivi di taglio (smontaggio, affilatura, equilibratura, riparazione, rimontaggio e/o sostituzione) devono essere eseguite presso un Centro Specializzato.

⚠ Far sostituire sempre il dispositivo di taglio danneggiato, storto o usurato, assieme alle proprie viti, per mantenere l'equilibratura.

IMPORTANTE Utilizzare sempre dispositivi di taglio originali, riportanti il codice indicato nella tabella "Dati Tecnici".

7.4 PULIZIA

Dopo ogni utilizzo, effettuare la pulizia attenendosi alle seguenti istruzioni.

7.4.1 Pulizia della macchina

- Assicurarsi sempre che le prese d'aria siano libere da detriti.
- Non impiegare liquidi aggressivi per la pulizia dello chassis.
- Per ridurre il rischio di incendio mantenere il motore libero da residui d'erba, foglie o grasso eccessivo.
- Pulire la macchina dopo ogni taglio.

IMPORTANTE Non utilizzare mai acqua ad alta pressione

7.4.2 Pulizia dell'assieme dispositivo di taglio

- Rimuovere i detriti d'erba e il fango accumulati all'interno dello chassis.

Modelli senza attacco lavaggio

- Nel caso fosse necessario accedere alla parte inferiore, inclinare la macchina esclusivamente dal lato del tappo olio, accertandosi della stabilità della macchina prima di eseguire qualsiasi tipo di intervento.

- **Nel caso di scarico laterale:** occorre rimuovere il deflettore di scarico (se montato - par. 6.1.2d.).

Modelli con attacco lavaggio (Fig. 25.B)

Per il lavaggio interno dell'assieme dispositivo di taglio, procedere come segue (Fig.25.A/B/C):

1. posizionarsi sempre dietro il manico del rasaerba;
2. avviare il motore.

Se la verniciatura della parte interna dello chassis si stacca, intervenire tempestivamente ritoccando la verniciatura con una pittura antiruggine.

7.4.3 Pulizia del sacco (Fig.26.A/B)

Pulire il sacco e lasciarlo asciugare.

7.5 BATTERIA

La batteria viene fornita nei modelli con comando di avviamento elettrico a pulsante. Per le istruzioni riguardanti l'autonomia, la ricarica, il rimessaggio e la manutenzione della batteria, seguire le istruzioni contenute nel manuale istruzioni del motore.

8. RIMESSAGGIO

Quando la macchina deve essere rimessata:

1. avviare il motore all'aperto e tenerlo in moto al minimo fino all'arresto, in modo da consumare tutto il carburante rimasto nel carburatore;
2. pulire accuratamente la macchina (par. 7.4);
3. verificare l'integrità della macchina;
4. rimessare la macchina:
 - in un ambiente asciutto;
 - al riparo dalle intemperie;
 - in un luogo inaccessibile ai bambini;
 - assicurandosi di aver rimosso chiavi o utensili usati per la manutenzione.

8.1 RIMESSAGGIO VERTICALE

In caso di necessità, alcuni modelli (vedi Tabella Dati Tecnici) possono essere rimessati in verticale (Fig.27).

⚠ Non rimessare la macchina in posizione verticale con il serbatoio riempito al di sopra del fondo dell'indicatore di livello del carburante (Fig.24.A).

Procedere come segue:

1. Staccare il cappuccio della candela (Fig.23.B) o rimuovere la chiave (Fig.23.D) o la batteria (nei modelli con comando di avviamento elettrico a pulsante).
2. Portare l'altezza di taglio nella seconda posizione più bassa (vedi cap. 5.5);
3. Ripiegare con cautela il manico in posizione chiusa e serrare le leve (Fig.27);
4. Portare la macchina in posizione verticale, con cautela il manico in posizione chiusa e serrare le leve (Fig.27);

⚠ Riporre la macchina in modo da non costituire pericolo in caso di contatto, anche accidentale o fortuito, con persone, bambini o animali.

⚠ Non tentare di predisporre il rimessaggio in verticale delle macchine che non sono state progettate per questo scopo.

9. MOVIMENTAZIONE E TRASPORTO

Ogni volta che è necessario movimentare, sollevare, trasportare o inclinare la macchina occorre:

- Arrestare la macchina (par. 6.5) fino al completo arresto delle parti in movimento.
- Staccare il cappuccio della candela (Fig.23.B) o rimuovere la chiave (Fig.23.D) o la batteria (nei modelli con comando di avviamento elettrico a pulsante).
- Indossare robusti guanti da lavoro.
- Afferrare la macchina in punti che offrano una presa sicura, tenendo conto del peso e della sua ripartizione.
- Impiegare un numero di persone adeguato al peso della macchina.
- Assicurarsi che la movimentazione della macchina non causi danni o lesioni.

Quando si trasporta la macchina con un automezzo o rimorchio, occorre:

- Utilizzare rampe di accesso di resistenza, larghezza e lunghezza adeguate.
- Caricare la macchina con il motore spento, a spinta, impiegando un numero adeguato di persone.
- Abbassare l'assieme dispositivo di taglio (par 5.5).
- Posizionarla in modo da non costituire pericolo per nessuno.
- Bloccarla saldamente al mezzo di trasporto mediante funi o catene per evitarne il ribaltamento con possibile danneggiamento e fuoriuscita di carburante.

⚠ Non trasportare in posizione verticale le macchine con possibilità di rimessaggio verticale.

10. TABELLA MANUTENZIONI

Intervento	Periodicità	Note
MACCHINA		
Controllo di tutti i fissaggi; controlli di sicurezza / verifica dei comandi (inclusa la leva Presenza operatore); verifica delle protezioni di scarico posteriore / scarico laterale; verifica del sacco di raccolta, deflettore di scarico laterale; verifica del dispositivo di taglio.	Prima dell' uso	par. 6.2.2
Pulizia generale e controllo; verifica di eventuali danni presenti sulla macchina. Se necessario, contattare il centro di assistenza autorizzato.	Al termine di ogni uso	par. 7.4
Sostituzione dispositivo di taglio	-	par. 7.3.1 ***
MOTORE		
Controllo / rabbocco livello carburante; Controllo / rabbocco olio motore	Prima dell' uso	par. 6.1.1 / 7.2.1 * / 7.2.2 *
Controllo e pulizia filtro dell'aria; Controllo e pulizia contatti candela; Sostituzione candela; Carica della batteria	*	* / par. 7.5 *

* Consultare il manuale del motore.

** Operazione da eseguire ai primi cenni di malfunzionamento.

*** Operazione che deve essere eseguita dal vostro Rivenditore o da un Centro specializzato.

11. IDENTIFICAZIONE INCONVENIENTI

Se gli inconvenienti perdurano dopo aver applicato i rimedi descritti, contattare il vostro Rivenditore.		
INCONVENIENTE	CAUSA PROBABILE	RIMEDIO
1. Il motore non si avvia, non si mantiene in moto, ha un funzionamento irregolare o si arresta durante il lavoro.	Procedura di avviamento non corretta.	Seguire le istruzioni (vedi cap. 6.3).
	Manca l'olio o la benzina nel motore.	Controllare i livelli dell'olio e della benzina (vedi cap. 7.2.1 / 7.2.2).
	Candela sporca o distanza fra gli elettrodi non corretta.	Controllare la candela (Consultare il manuale del motore).
	Filtro aria otturato.	Pulire e/o sostituire il filtro (Consultare il manuale del motore).
	Problemi di carburazione.	Contattare il centro di assistenza autorizzato.
	Il galleggiante può essere bloccato.	Consultare il manuale del motore e contattare il centro di assistenza autorizzato.
2. Ingolfamento del motore.	L'impugnatura di avviamento manuale è stata azionata ripetutamente con lo starter inserito.	Consultare il manuale del motore.
	L'impugnatura di avviamento manuale è stata azionata ripetutamente con il cappuccio della candela staccato.	Inserire il cappuccio della candela e provare ad accendere il motore. (Consultare il manuale del motore).
3. L'erba tagliata non viene più raccolta nel sacco di raccolta.	Il dispositivo di taglio ha colpito un corpo estraneo e ha subito un colpo.	Arrestare il motore e staccare il cappuccio della candela. Verificare eventuali danneggiamenti e Contattare un Centro Assistenza (par. 7.3.1).
	L'interno dello chassis è sporco.	Pulire l'interno dello chassis (par. 7.4.2).
4. L'erba si taglia con difficoltà.	Il dispositivo di taglio non è in buono stato.	Contattare un centro assistenza per l'affilatura o sostituzione del dispositivo di taglio.
5. Si avvertono rumori e/o vibrazioni eccessive durante il lavoro.	Danneggiamento o parti allentate. Il piolino sul dispositivo di taglio è uscito dalla sua sede.	Fermare la macchina e staccare il cavo della candela (Fig.23.B). Verificare eventuali danneggiamenti o parti allentate. Provvedere alle verifiche, sostituzioni o riparazioni presso un il centro di assistenza autorizzato.
	Fissaggio del dispositivo di taglio allentato o dispositivo di taglio danneggiato.	Arrestare il motore e staccare il cappuccio della candela (Fig.23.B). Contattare un Centro Assistenza (par. 7.3.1).

12. ACCESSORI A RICHIESTA

12.1 KIT PER MULCHING (Fig.28)

Sminuzza finemente l'erba tagliata e la lascia sul prato.

CERTIFICATE OF CONFORMITY

A certificate of conformity is enclosed with the documentation as a separate document.
An EXAMPLE is shown below.

DICHIARAZIONE CE DI CONFORMITÀ (Istruzioni Original)

(Direttiva Macchine 2006/42/CE, Allegato II, parte A)

- La Società: ST, S.p.A. - Via del Lavoro, 6 - 31033 Castelfranco Veneto (TV) - Italy
- Dichiaro sotto la propria responsabilità, che la macchina: Tosaerba con conducente a piedi / taglio erba

a) Tipo_Modello Base	CEP1486
b) Mese_Anno di costruzione	
c) Matricola	
d) Motore	a scoppio

È conforme alle specifiche delle direttive:

- MD: 2006/42/EC
- Entità Certificatore: Non Applicabile
- Esame CE del tipo: Non Applicabile
- CM: 2000/14/EC, ANNEX VI - 2005/88/EC
- Entità Certificatore: N°1917 - TÜV Rheinland LGA Products GmbH
Tillystrasse 2, 90431 Nürnberg - Germany
- EMC: 2014/53/EU
- RoHS II: 2011/65/EU - 2015/863/EU

Riferimento alle Norme armonizzate:

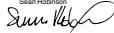
EN ISO 5395-1:2013+A1:2018 EN ISO 5395-2:2013+A1:2018
EN IEC 63000:2016

- g) Livello di potenza misurato: d(B)A
h) Livello di potenza: d(B)A
i) Ampiezza di taglio: cm

Persono autorizzata a creare il file tecnico: ST, S.p.A.
Via del Lavoro, 6
31033 Castelfranco Veneto (TV) - Italia

Castelfranco V.to, 01.09.2021

CEO Siliga Group
Suan Robinson



7751426_2

UK DECLARATION OF CONFORMITY (Original Instruction)

(Supply of Machinery (Safety) Regulations 2008, S.I. 2008 No. 1697, Annex II, part A)

- The Company: ST, S.p.A. - Via del Lavoro, 6 - 31033 Castelfranco Veneto (TV) - Italy
- Herby declares under its own responsibility that the machine: Tosaerba con conducente a piedi / Grass cutting

a) Type, Model Base	CEP1486
b) Month_Year of manufacture	
c) Serial Number	
d) Engine	Petrol

Conforms to UK Regulations:

- Supply of Machinery (Safety) Regulations 2008
- CE Marking: Not Applicable
- Examination: Not Applicable
- 2011/1701, S.I. 2001/1701 Schedule 9 - Noise Emission in the Environment by Equipment for use Outdoors Regulation
- Approved Body: N° 8500 - AWF Certification Ltd
2 Parkfield Street, Rusholme, Manchester, M14 4PN
- S.I. 2016/1091 - Electromagnetic Compatibility Regulations 2016
- S.I. 2012/3032 - The Restriction of the Use of Certain Hazardous Substances in Electrical and Electronic Equipment Regulation 2012

Reference to Designated Standards:

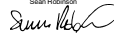
BS EN ISO 5395-1:2013+A1:2018 BS EN ISO 5395-2:2013+A1:2018
BS EN IEC 63000:2016

- g) Sound power level, measured: 96 dB(A)
h) Sound power level, guaranteed: 96 dB(A)
i) Cutting width: 46 cm

Person authorised to create the Technical File: ST, S.p.A.
Via del Lavoro, 6
31033 Castelfranco Veneto (TV) - Italia

Castelfranco V.to, 01.09.2021

CEO Siliga Group
Suan Robinson



7751426_2

STIGA LTD (Imported)
Unit 8, Bluewater Estate, Bell Close, Plympton,
Plymouth, Devon, PL7 4JH, England.

*manufactured by ST. S.p.A. Via del Lavoro 6 ,
31033 Castelfranco Veneto (TV) Italy*